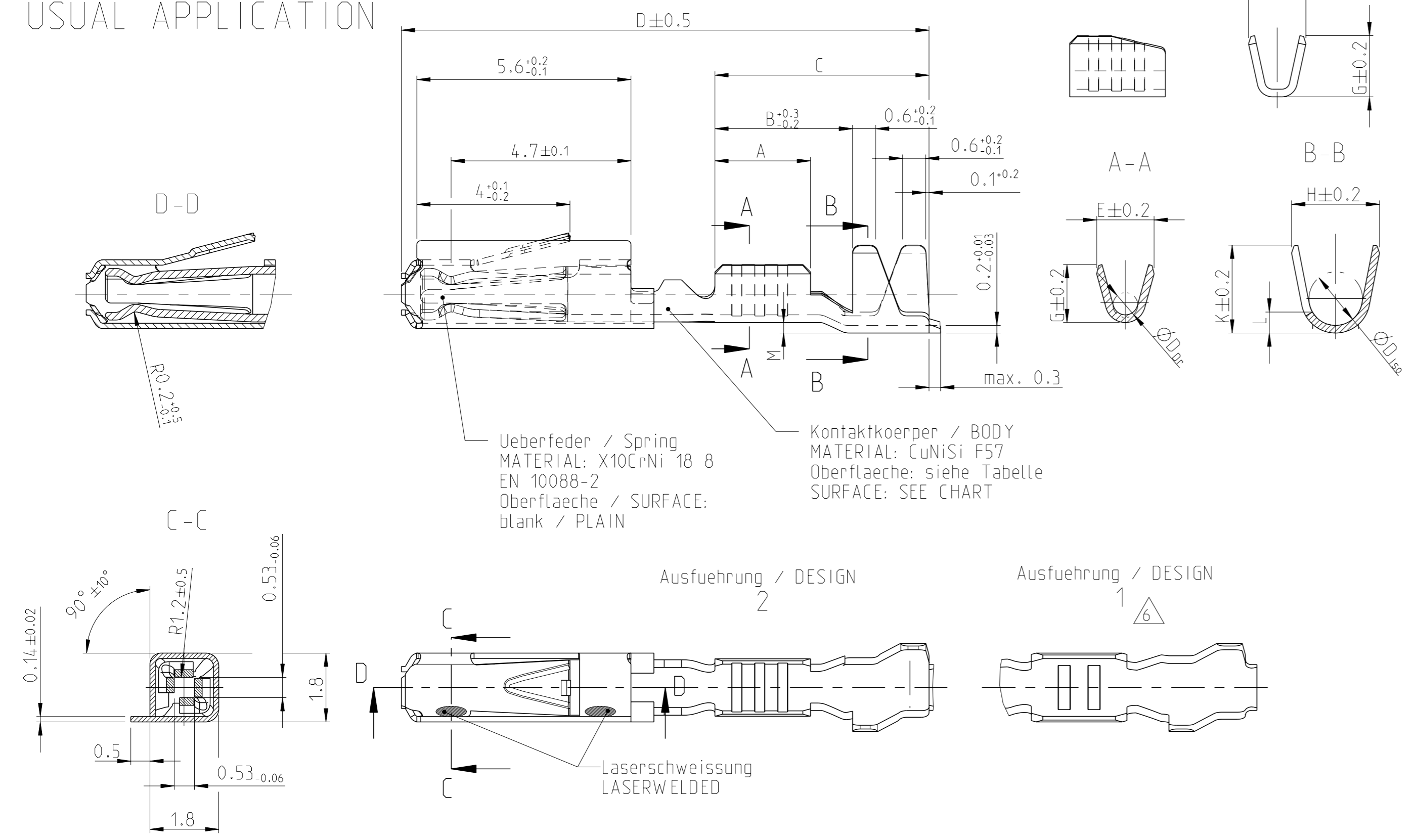
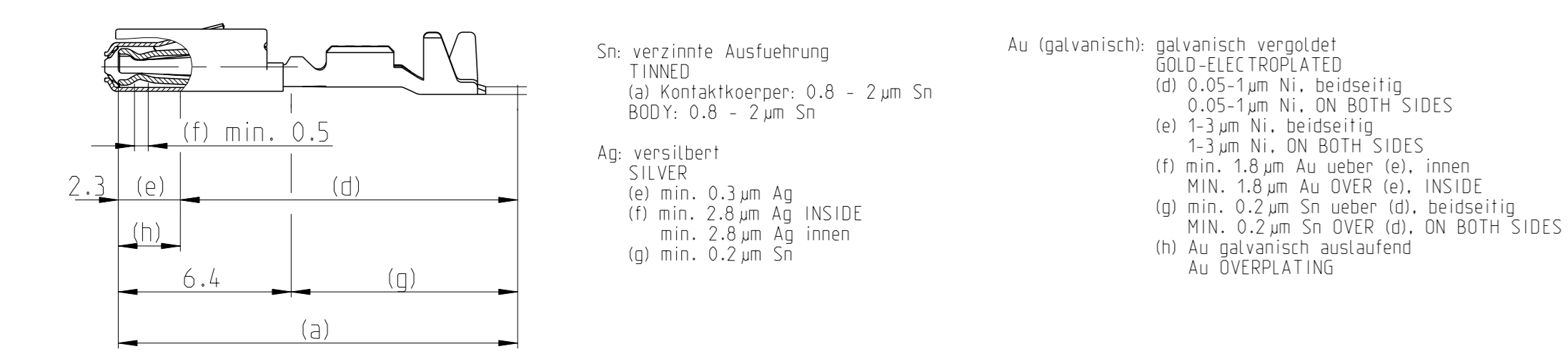


Normale Anwendung USUAL APPLICATION

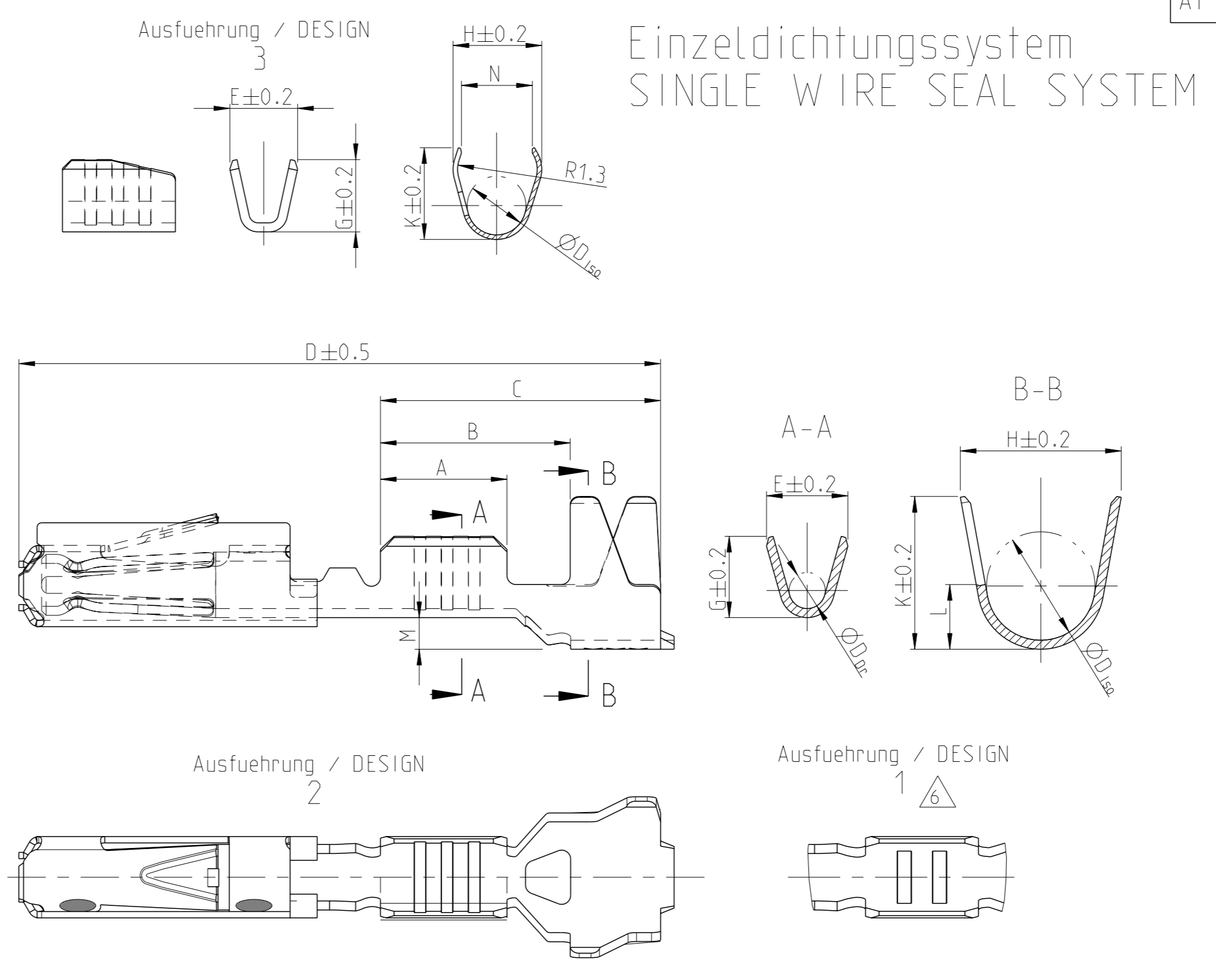


Oberflaeche / FINISH

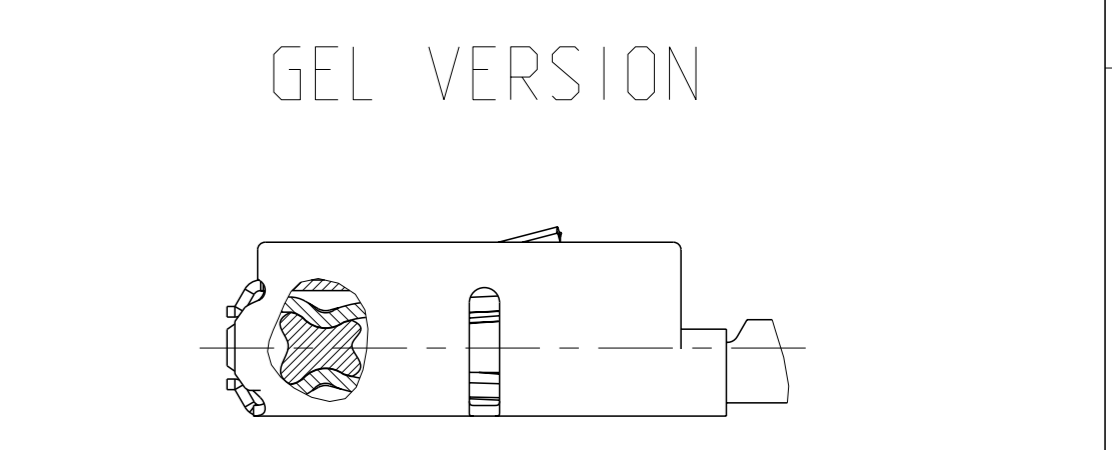
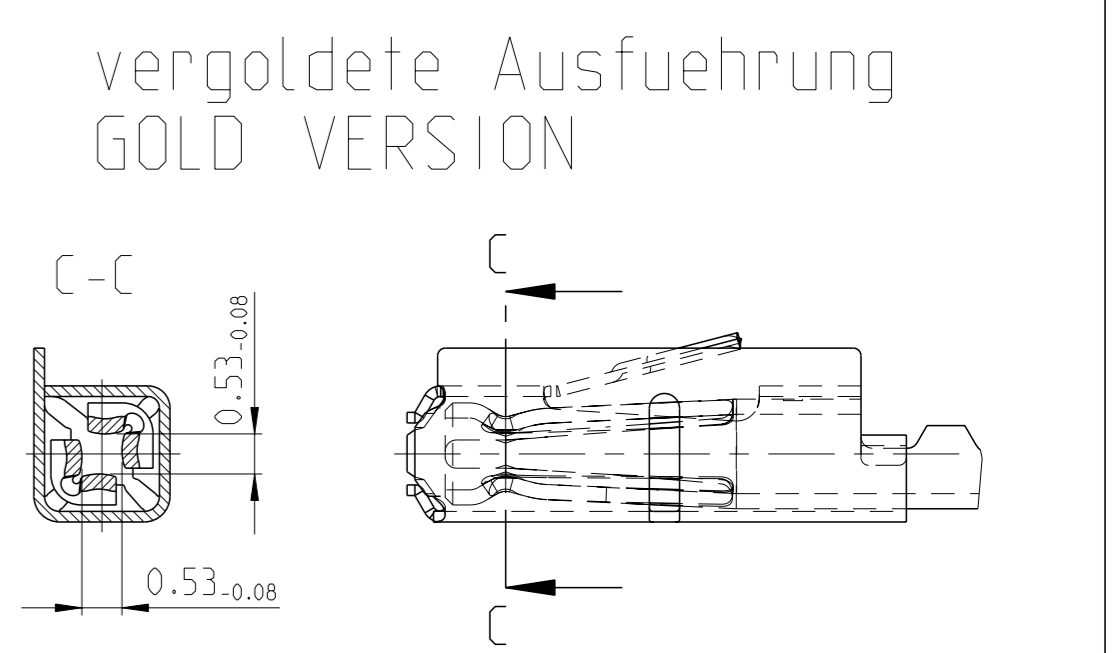


Part No.	Rev	Version	Wire Size	Surface	Length	Wire Crimp	Insulation	Weight	Notes												
6-965906-5	E	1-965906-5	D	Au+Gel	A = 2.8	F = 2	H = 3.5	0.13	114-18025												
5-965906-6	D	965906-6	C	Ag	B = 4.2	G = 2.1	K = 3.4	0.75													
5-965906-5	E	965906-5	D	Au	C = 6.2	D _{Dr} = 1	L = 1.5			1.4-1.9											
5-965906-1	D	965906-1	C	Sn	D = 14.3	M = 0.7	D _{ISO} = 2.4				967067-1										
5-962885-6	J	962885-6	H	Ag	A = 2.5	F = 1.8	H = 3.5					0.35									
5-962885-5	K	962885-5	J	Au	B = 3.9	G = 1.8	K = 3.4						0.9-1.4								
5-962885-1	J	962885-1	H	Sn	C = 5.9	D _{Dr} = 0.8	L = 1.5							967067-2							
2141826-6	A			Ag	D = 14	M = 0.7	D _{ISO} = 2.4								967056-1						
2141826-5	A			Au	A = 2.5	F = 1.5	H = 4									blau / BLUE					
2141826-1	A			Sn	B = 4.3	G = 1.4	K = 4.1										967056-1				
6-963715-5	K	1-963715-5	J	Au+Gel	C = 6.2	D _{Dr} = 1	L = 1.5											0.11			
5-963715-6	J	963715-6	H	Ag	D = 13.7	M = 0.6	N = 3.1												0.85-1.25		
5-963715-5	K	963715-5	J	Au	A = 2.5	F = 1.5	D _{ISO} = 2.6													967067-2	
5-963715-1	J	963715-1	H	Sn	B = 4.3	G = 1.4	N = 3.1														963142-2
6-928999-5	T	1-928999-5	S	Au+Gel	C = 5.6	D _{Dr} = 0.8	D _{ISO} = 1.6														
5-928999-6	S	928999-6	R	Ag	D = 13.7	M = 0.2	D _{ISO} = 1.4		963142-2												
5-928999-5	T	928999-5	S	Au	A = 2.5	F = 1.5	H = 2	0.1													
5-928999-1	S	928999-1	R	Sn	B = 3.7	G = 1.4	K = 1.9			0.85-1.25											
2141824-6	A			Ag	C = 5.4	D _{Dr} = 1	L = 1.5				967067-2										
2141824-5	A			Au	D = 13.7	M = 0	N = 3.1					963142-2									
2141824-1	A			Sn	A = 2.5	F = 1.5	D _{ISO} = 2.6						963142-2								
1355717-5	C			Au	B = 3.7	G = 1.4	H = 4							blau / BLUE							
1355717-1	C			Sn	C = 5.4	D _{Dr} = 0.65	L = 1.5								967056-1						

Bestell-Nr. / ORDER NO. DESIGN	Bestell-Nr. / ORDER NO. DESIGN	Rev	Version	DGB Wire Size Range mm ²	Oberflaeche / SURFACE	Laenge / LENGTH mm	Drahtcrimp / WIRE CRIMP mm	Iso-crimp / INSU-CRIMP mm	Gewicht / WEIGHT g	Verarbeitung / APPLICATION SPEC.	DGB Wire Size Range mm ²	Isolations / INSULATION DIA. mm	fuer Kammer / FOR CAVITY DIA. mm	Blindstopfen / RUBBER PLUG	fuer Kammer / FOR CAVITY DIA. mm	Blindstopfen / RUBBER PLUG
2	3		1							Spez. APPLICATION SPEC.						

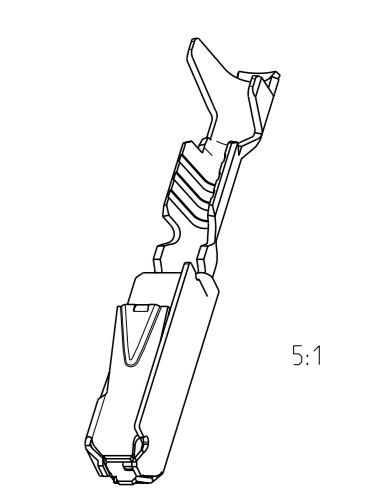
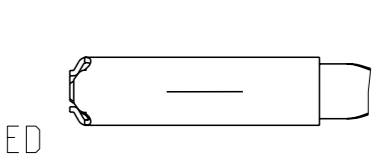


REV	DATE	OWN	APVD
C15	31MAY2016	ABR	BRUN
C16	04AUG2016	MAH	BRUN
C17	23AUG2016	ABR	BRUN
C18	21NOV2017	MAH	BRUN



- Bemerkungen
- Datumscode (Woche/Jahr z.B. KW 38/Jahr2009) und TE-Revision (z.B. Rev.A) DATE CODE (WEEK/YEAR E.G. WEEK NUMBER 38/YEAR2009) AND TE REVISION (E.G. REV. A)
 - Passend zu Stiftkontakt siehe Zeichnung 929453 SUITABLE FOR PIN CONTACT SEE DRAWING 929453
 - Einzelheiten der Ausfuehrung bleiben dem Hersteller ueberlassen DETAILS OF DESIGN ARE LEFT TO MANUFACTURER
 - Nur fuer FLR-Leitung nach DIN 72551 Teil 6 FOR FLR-CONDUCTOR ACCORDING TO DIN 72551-6 ONLY

- 5 - nicht fuer Neuanwendung NOT FOR NEW APPLICATION
- 6 - zuguerstaeckte Leitung nach LV 112-4 REINFORCED WIRE ACCORDING LV 112-4
- 7 - Bei doppelt fallenden Werkzeugen wird die erste Ueberfeder mit einer Kennzeichnung "-" versehen WITH DOUBLE OUT DIES THE FIRST SPRING WILL BE PROVIDED WITH AN INDICATION "-"



THIS DRAWING IS A CONTROLLED DOCUMENT.		OWN: S. Garcia 05JAN1999	TE Connectivity	
DIMENSIONS: mm		CHK: R. Jetter 05JAN1999	NAME: MOS	
TOLERANCES UNLESS OTHERWISE SPECIFIED: ±0.2		APPV: M. Bleicher 13AUG2003	PRODUCT SPEC: 108-18030	
MATERIAL: -		FINISH: -	APPLICATION SPEC: 114-18021 / 114-18025	
WEIGHT: -		SCALE: 10:1	RESTRICTED TO: -	
CUSTOMER DRAWING		00779	SHEET 1 OF 1	