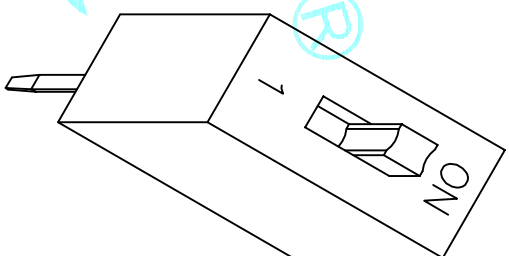
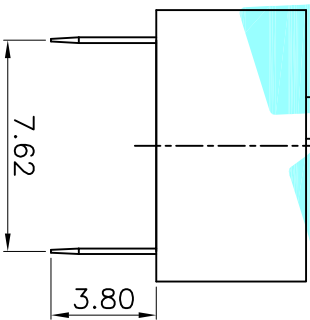
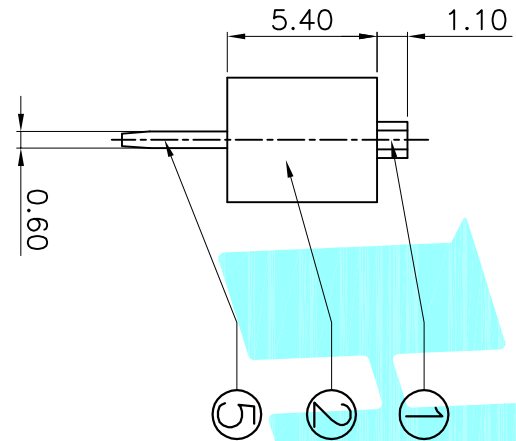


PCB Layout(Pattern Side)

Circuit Diagram



- NOTE:
- 1.Rating: 24V 25mA DC
 - 2.Insulation Resistance: $\geq 100 \text{ M}\Omega$
 - 3.Withstand voltage: AC 500V 1Minute
 - 4.Operating Force Range: 400gf Max
 - 5.Mechanical Life: 3,000 Cycles
 - 6.Operating Temperature range $-20^{\circ}\sim +70^{\circ}\text{C}$
 - 7.Ambient Humidity used: $\leq 85\% \text{RH}$



短柄(S)

PART NO.	凸柄(P)	DP-01RP
盖字/红色(R)	短柄(S)	DP-01RS
PART NO.	凸柄(P)	DP-01BP
盖字/蓝色(B)	短柄(S)	DP-01BS

ITEM	PART NAME	TER'NO.	QTY.	MATERIAL	FINISHING	REMARK
⑤	Terminal	—	2	Brass(0.30t)	—	—
④	Contact	—	1	F.Ag/SUS	—	—
③	Base	—	1	PBT	BLACK	—
②	Cover	—	1	PBT	RED/BLUE	—
①	Keystroke	—	1	PBT	WHITE	—

APPROVALS		DATE	TITLE	
DRAWN	J.X.Zhang	2013/5/30	ELECTRONICS CO.,LTD	
CHECKED			MULTIFUNCTIONAL SWITCHES	

ECN NO.	REV.	DATE.	DESCRIPTION.	CHANGE.	CHECK.	APPRO.
	A		NEW			

APPROVALS		PART NO.	SCALE:	PROJ.
TOLERANCES ARE	30~以上 10~30 5~10 ~5	±0.30 ±0.20 ±0.15 ±0.10	ANGLE ±2°	DS-01□□
		UNIT: mm	SCALE: 1:1	PROJ.
		DRAWING NO.		SHEET 1 OF 1