



Is Now Part of



ON Semiconductor®

To learn more about ON Semiconductor, please visit our website at
www.onsemi.com

Please note: As part of the Fairchild Semiconductor integration, some of the Fairchild orderable part numbers will need to change in order to meet ON Semiconductor's system requirements. Since the ON Semiconductor product management systems do not have the ability to manage part nomenclature that utilizes an underscore (_), the underscore (_) in the Fairchild part numbers will be changed to a dash (-). This document may contain device numbers with an underscore (_). Please check the ON Semiconductor website to verify the updated device numbers. The most current and up-to-date ordering information can be found at www.onsemi.com. Please email any questions regarding the system integration to Fairchild_questions@onsemi.com.

ON Semiconductor and the ON Semiconductor logo are trademarks of Semiconductor Components Industries, LLC dba ON Semiconductor or its subsidiaries in the United States and/or other countries. ON Semiconductor owns the rights to a number of patents, trademarks, copyrights, trade secrets, and other intellectual property. A listing of ON Semiconductor's product/patent coverage may be accessed at www.onsemi.com/site/pdf/Patent-Marking.pdf. ON Semiconductor reserves the right to make changes without further notice to any products herein. ON Semiconductor makes no warranty, representation or guarantee regarding the suitability of its products for any particular purpose, nor does ON Semiconductor assume any liability arising out of the application or use of any product or circuit, and specifically disclaims any and all liability, including without limitation special, consequential or incidental damages. Buyer is responsible for its products and applications using ON Semiconductor products, including compliance with all laws, regulations and safety requirements or standards, regardless of any support or applications information provided by ON Semiconductor. "Typical" parameters which may be provided in ON Semiconductor data sheets and/or specifications can and do vary in different applications and actual performance may vary over time. All operating parameters, including "Typicals" must be validated for each customer application by customer's technical experts. ON Semiconductor does not convey any license under its patent rights nor the rights of others. ON Semiconductor products are not designed, intended, or authorized for use as a critical component in life support systems or any FDA Class 3 medical devices or medical devices with a same or similar classification in a foreign jurisdiction or any devices intended for implantation in the human body. Should Buyer purchase or use ON Semiconductor products for any such unintended or unauthorized application, Buyer shall indemnify and hold ON Semiconductor and its officers, employees, subsidiaries, affiliates, and distributors harmless against all claims, costs, damages, and expenses, and reasonable attorney fees arising out of, directly or indirectly, any claim of personal injury or death associated with such unintended or unauthorized use, even if such claim alleges that ON Semiconductor was negligent regarding the design or manufacture of the part. ON Semiconductor is an Equal Opportunity/Affirmative Action Employer. This literature is subject to all applicable copyright laws and is not for resale in any manner.



NC7SZ57 / NC7SZ58

TinyLogic® UHS Universal Configurable Two-Input Logic Gates

Features

- Ultra High Speed
- Capable of Implementing any Two-Input Logic Functions
- Typical Usage Replaces Two (2) TinyLogic® Gate Devices
- Reduces Part Counts in Inventory
- Broad V_{CC} Operating Range: 1.65V to 5.5V
- Power Down High Impedance Input/Output
- Over-Voltage Tolerant Inputs Facilitate 5V to 3V Translation
- Proprietary Noise/EMI Reduction Circuitry Implemented

Description

The NC7SZ57 and NC7SZ58 are universal configurable two-input logic gates. Each device is capable of being configured for 1 of 5 unique two-input logic functions. Any possible two-input combinatorial logic function can be implemented, as shown in the *Function Selection Table*. Device functionality is selected by how the device is wired at the board level. *Figures 4 through 13* illustrate how to connect the NC7SZ57 and NC7SZ58, respectively, for the desired logic function. All inputs have been implemented with hysteresis.

The device is fabricated with advanced CMOS technology to achieve ultra high speed with high output drive while maintaining low static power dissipation over a broad V_{CC} operating range. The device is specified to operate over the 1.65V to 5.5V V_{CC} operating range. The input and output are high impedance when V_{CC} is 0V. Inputs tolerate voltages up to 5.5V independent of V_{CC} operating range.

Ordering Information

| Part Number | Top Mark | Package | Packing Method |
|-------------|----------|---|---------------------------|
| NC7SZ57P6X | Z57 | 6-Lead SC70, EIAJ SC-88a, 1.25mm Wide | 3000 Units on Tape & Reel |
| NC7SZ57L6X | KK | 6-Lead Micropak™, 1.0mm Wide | 5000 Units on Tape & Reel |
| NC7SZ57FHX | KK | 6-Lead, MicroPak2™, 1x1mm Body, .35mm Pitch | |
| NC7SZ58P6X | Z58 | 6-Lead SC70, EIAJ SC-88a, 1.25mm Wide | 3000 Units on Tape & Reel |
| NC7SZ58L6X | LL | 6-Lead Micropak™, 1.0mm Wide | 5000 Units on Tape & Reel |
| NC7SZ58FHX | LL | 6-Lead, MicroPak2™, 1x1mm Body, .35mm Pitch | |

Pin Configurations

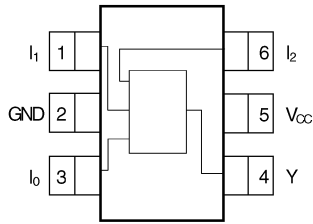


Figure 1. SC70 (Top View)

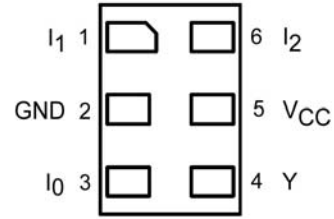


Figure 2. MicroPak™ (Top Through View)

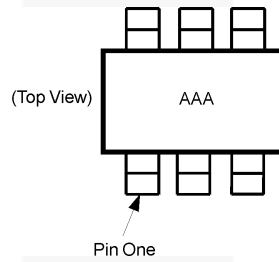


Figure 3. Pin 1 Orientation

Notes:

1. AAA represents product code top mark (see *Ordering Information*).
2. Orientation of top mark determines pin one location.
3. Reading the top mark left to right, pin one is the lower left pin.

Pin Definitions

| Pin # SC70 | Pin # MicroPak™ | Name | Description |
|------------|-----------------|-----------------|----------------|
| 1 | 1 | I ₁ | Data Input |
| 2 | 2 | GND | Ground |
| 3 | 3 | I ₀ | Data Input |
| 4 | 4 | Y | Output |
| 5 | 5 | V _{CC} | Supply Voltage |
| 6 | 6 | I ₂ | Data Input |

Function Table

| Inputs | | | NC7SZ57 | NC7SZ58 |
|----------------|----------------|----------------|---|---|
| I ₂ | I ₁ | I ₀ | $Y = \overline{(I_0)} \cdot \overline{(I_2)} + (I_1) \cdot (I_2)$ | $Y = (I_0) \cdot \overline{(I_2)} + \overline{(I_1)} \cdot (I_2)$ |
| L | L | L | H | L |
| L | L | H | L | H |
| L | H | L | H | L |
| L | H | H | L | H |
| H | L | L | L | H |
| H | L | H | L | H |
| H | H | L | H | L |
| H | H | H | H | L |

H = HIGH Logic Level

L = LOW Logic Level

Function Selection Table

| 2-Input Logic Function | Device Selection | Connection Configuration |
|--|------------------|--------------------------|
| 2-Input AND | NC7SZ57 | Figure 4 |
| 2-Input AND with Inverted Input | NC7SZ58 | Figure 10, Figure 11 |
| 2-Input AND with Both Inputs Inverted | NC7SZ57 | Figure 7 |
| 2-Input NAND | NC7SZ58 | Figure 9 |
| 2-Input NAND with Inverted Input | NC7SZ57 | Figure 5, Figure 6 |
| 2-Input NAND with Both Inputs Inverted | NC7SZ58 | Figure 12 |
| 2-Input OR | NC7SZ58 | Figure 12 |
| 2-Input OR with Inverted Input | NC7SZ57 | Figure 5, Figure 6 |
| 2-Input OR with Both Inputs Inverted | NC7SZ58 | Figure 9 |
| 2-Input NOR | NC7SZ57 | Figure 7 |
| 2-Input NOR with Inverted Input | NC7SZ58 | Figure 9, Figure 10 |
| 2-Input NOR with Both Inputs Inverted | NC7SZ57 | Figure 4 |
| 2-Input XOR | NC7SZ58 | Figure 13 |
| 2-Input XNOR | NC7SZ57 | Figure 8 |

NC7SZ57 Logic Configurations

Figure 4 through Figure 8 show the logical functions that can be implemented using the NC7SZ57. The diagrams show the DeMorgan's equivalent logic duals for a given

two-input function. The logical implementation is next to the board-level physical implementation of how the pins of the function should be connected.

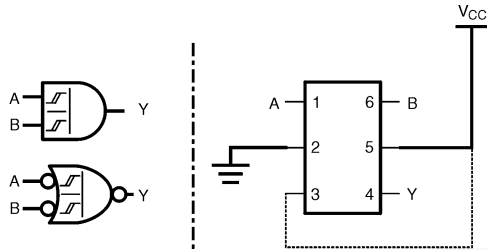


Figure 4. 2-Input AND Gate

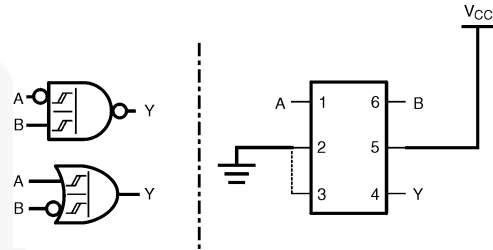


Figure 5. 2-Input NAND with Inverted A Input

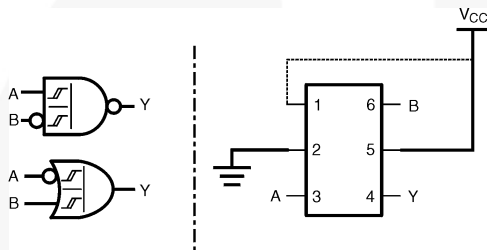


Figure 6. 2-Input NAND with Inverted B Input

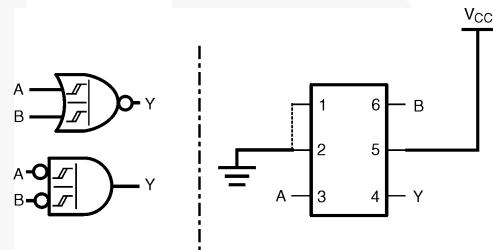


Figure 7. 2-Input NOR Gate



Figure 8. 2-Input XNOR Gate

NC7SZ58 Logic Configurations

Figure 9 through Figure 13 show the logical functions that can be implemented using the NC7SZ58. The diagrams show the DeMorgan's equivalent logic duals for a given two-input function. The logical

implementation is next to the board-level physical implementation of how the pins of the function should be connected.



Figure 9. 2-Input NAND Gate

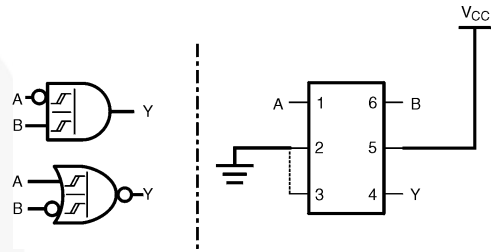


Figure 10. 2-Input AND with Inverted A Input

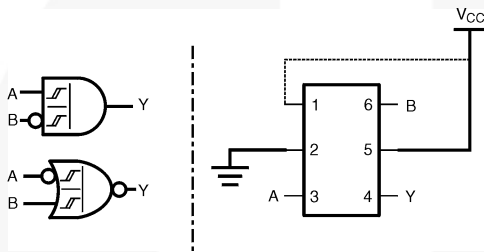


Figure 11. 2-Input AND with Inverted B Input

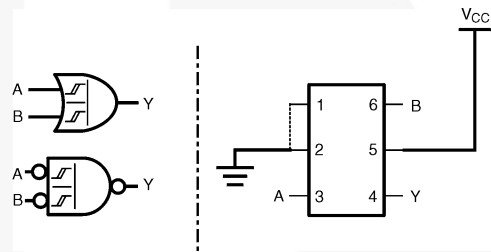


Figure 12. 2-Input OR Gate

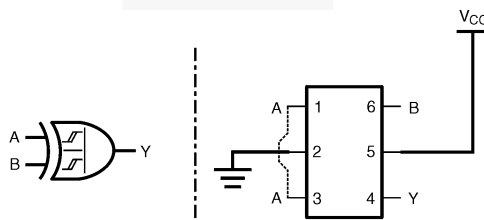


Figure 13. 2-Input XOR Gate

Absolute Maximum Ratings

Stresses exceeding the absolute maximum ratings may damage the device. The device may not function or be operable above the recommended operating conditions and stressing the parts to these levels is not recommended. In addition, extended exposure to stresses above the recommended operating conditions may affect device reliability. The absolute maximum ratings are stress ratings only.

| Symbol | Parameter | | Min. | Max. | Units |
|-----------------------|---|-------------------|------|------|-------|
| V_{CC} | Supply Voltage | | -0.5 | 7.0 | V |
| V_{IN} | DC Input Voltage | | -0.5 | 7.0 | V |
| V_{OUT} | DC Output Voltage | | -0.5 | 7.0 | V |
| I_{IK} | DC Input Diode Current | $V_{IN} < 0.5V$ | | -50 | mA |
| I_{OK} | DC Output Diode Current | $V_{OUT} < -0.5V$ | | -50 | mA |
| I_{OUT} | DC Output Source / Sink Current | | | ±50 | mA |
| I_{CC} or I_{GND} | DC V_{CC} or Ground Current | | | ±50 | mA |
| T_{STG} | Storage Temperature Range | | -65 | +150 | °C |
| T_J | Maximum Junction Temperature under Bias | | | +150 | °C |
| T_L | Lead Temperature, Soldering 10 Seconds | | | +260 | °C |
| P_D | Power Dissipation at +85°C | MicroPak™-6 | | 130 | mW |
| | | SC70-6 | | 180 | |
| | | MicroPak2™-6 | | 120 | |
| ESD | Human Body Model, JEDEC:JESD22-A114 | | | 4000 | V |
| | Charged Device Model, JEDEC:JESD22-C101 | | | 2000 | |

Recommended Operating Conditions

The Recommended Operating Conditions table defines the conditions for actual device operation. Recommended operating conditions are specified to ensure optimal performance to the datasheet specifications. Fairchild does not recommend exceeding them or designing to Absolute Maximum Ratings.

| Symbol | Parameter | Conditions | Min. | Max. | Units |
|---------------|-------------------------------|--------------|------|----------|-------|
| V_{CC} | Supply Voltage Operating | | 1.65 | 5.5 | V |
| | Supply Voltage Data Retention | | 1.5 | 5.5 | |
| V_{IN} | Input Voltage | | 0 | 5.5 | V |
| V_{OUT} | Output Voltage | | 0 | V_{CC} | V |
| T_A | Operating Temperature | | -40 | +85 | °C |
| θ_{JA} | Thermal Resistance | SC70-6 | | 350 | °C/W |
| | | MicroPak™-6 | | 500 | |
| | | MicroPak2™-6 | | 560 | |

DC Electrical Characteristics

| Symbol | Parameter | V _{CC} | Conditions | T _A =+25°C | | | T _A =-40 to +85°C | | Units | |
|-----------------|----------------------------|-----------------|---|-------------------------|------|------|------------------------------|------|-------|--|
| | | | | Min. | Typ. | Max. | Min. | Max. | | |
| V _P | Positive Threshold Voltage | 1.65 | | 0.60 | 0.99 | 1.40 | 0.60 | 1.40 | V | |
| | | 2.30 | | 1.00 | 1.39 | 1.80 | 1.00 | 1.80 | | |
| | | 3.00 | | 1.30 | 1.77 | 2.20 | 1.30 | 2.20 | | |
| | | 4.50 | | 1.90 | 2.49 | 3.10 | 1.90 | 3.10 | | |
| | | 5.50 | | 2.20 | 2.95 | 3.60 | 2.20 | 3.60 | | |
| V _N | Negative Threshold Voltage | 1.65 | | 0.20 | 0.50 | 0.90 | 0.20 | 0.90 | V | |
| | | 2.30 | | 0.40 | 0.75 | 1.15 | 0.40 | 1.15 | | |
| | | 3.00 | | 0.60 | 0.99 | 1.50 | 0.60 | 1.50 | | |
| | | 4.50 | | 1.00 | 1.43 | 2.00 | 1.00 | 2.00 | | |
| | | 5.50 | | 1.20 | 1.70 | 2.30 | 1.20 | 2.30 | | |
| V _H | Hysteresis Voltage | 1.65 | | 0.15 | 0.48 | 0.90 | 0.15 | 0.90 | V | |
| | | 2.30 | | 0.25 | 0.64 | 1.10 | 0.25 | 1.10 | | |
| | | 3.00 | | 0.40 | 0.78 | 1.20 | 0.40 | 1.20 | | |
| | | 4.50 | | 0.60 | 1.06 | 1.50 | 0.60 | 1.50 | | |
| | | 5.50 | | 0.70 | 1.25 | 1.70 | 0.70 | 1.70 | | |
| V _{OH} | HIGH Level Output Voltage | 1.65 | V _{IN} =V _{IH} or V _{IL} I _{OH} = -100μA | 1.55 | 1.65 | | 1.55 | | V | |
| | | 2.30 | | 2.20 | 2.30 | | 2.20 | | | |
| | | 3.00 | | 2.90 | 3.00 | | 2.90 | | | |
| | | 4.50 | | 4.40 | 4.50 | | 4.40 | | | |
| | | 1.65 | V _{IN} =V _{IH} or V _{IL} | I _{OH} = -4mA | 1.29 | 1.52 | | 1.29 | | |
| | | 2.30 | | I _{OH} = -8mA | 1.90 | 2.15 | | 1.90 | | |
| | | 3.00 | | I _{OH} = -16mA | 2.40 | 2.80 | | 2.40 | | |
| | | 3.00 | | I _{OH} = -24mA | 2.30 | 2.68 | | 2.30 | | |
| | | 4.50 | | I _{OH} = -32mA | 3.80 | 4.20 | | 3.80 | | |
| | | 4.50 | | | | | | | | |

Continued on the following page...

DC Electrical Characteristics (Continued)

| Symbol | Parameter | V _{CC} | Conditions | T _A =+25°C | | | T _A =-40 to +85°C | | Units | |
|------------------|---------------------------|-----------------|---|-----------------------|------|------|------------------------------|------|-------|------|
| | | | | Min. | Typ. | Max. | Min. | Max. | | |
| V _{OL} | LOW Level Output Voltage | 1.65 | V _{IN} =V _{IH} or V _{IL} I _{OL} =100μA | | | 0.10 | | 0.10 | V | |
| | | 2.30 | | | | 0.10 | 0.10 | | | |
| | | 3.00 | | | | 0.10 | 0.10 | | | |
| | | 4.50 | | | | 0.10 | 0.10 | | | |
| | | 1.65 | V _{IN} =V _{IH} or V _{IL} | I _{OL} =4mA | | 0.08 | 0.24 | | | 0.24 |
| | | 2.30 | | I _{OL} =8mA | | 0.10 | 0.30 | | | 0.30 |
| | | 3.00 | | I _{OL} =16mA | | 0.15 | 0.40 | | | 0.40 |
| | | 3.00 | | I _{OL} =24mA | | 0.22 | 0.55 | | | 0.55 |
| 4.50 | I _{OL} =32mA | | 0.22 | 0.55 | | 0.55 | | | | |
| I _{IN} | Input Leakage Current | 0 to 5.50 | V _{IN} = 5.5V, GND | | | ±0.1 | | ±1.0 | μA | |
| I _{OFF} | Power Off Leakage Current | 0 | V _{IN} or V _{OUT} = 5.5V | | | 1 | | 10 | μA | |
| I _{CC} | Quiescent Supply Current | 1.65 to 5.5 | V _{IN} = 5.5V, GND | | | 1 | | 10 | μA | |

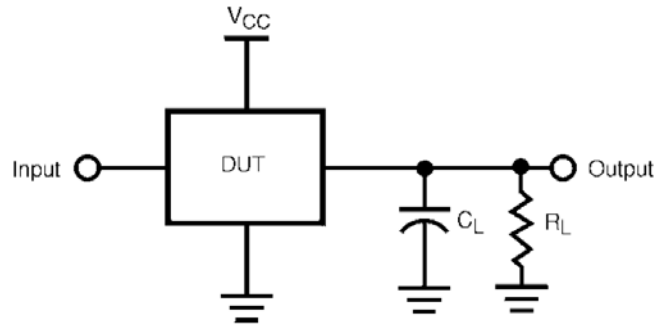
AC Electrical Characteristics

| Symbol | Parameter | V _{CC} | Conditions | T _A =25°C | | | T _A =-40 to 85°C | | Units | Figure |
|-------------------------------------|---------------------------------------|-----------------|---|----------------------|------|------|-----------------------------|------|-------|------------------------|
| | | | | Min. | Typ. | Max. | Min. | Max. | | |
| t _{PHL} , t _{PLH} | Propagation Delay I _n to Y | 1.8 ± 0.15 | C _L =15pF, R _L =1MΩ | 3.0 | 8.0 | 14.0 | 3.0 | 14.5 | ns | Figure 14 Figure 16 |
| | | 2.5 ± 0.2 | | 1.5 | 4.9 | 8.0 | 1.5 | 8.5 | | |
| | | 3.3 ± 0.3 | | 1.2 | 3.7 | 5.3 | 1.2 | 5.7 | | |
| | | 5.0 ± 0.5 | | 0.8 | 2.8 | 4.3 | 0.8 | 4.6 | | |
| | | 3.3 ± 0.3 | C _L =50pF, R _L =500Ω | 1.5 | 4.2 | 6.0 | 1.5 | 6.5 | | |
| | | 5.0 ± 0.5 | | 1.0 | 3.4 | 4.9 | 1.0 | 5.3 | | |
| C _{IN} | Input Capacitance | 0 | | | 2 | | | | pF | |
| C _{PD} | Power Dissipation Capacitance | 3.3 | Note 4 | | 14 | | | | pF | Figure 15 |
| | | 5.0 | | | 17 | | | | | |

Note:

- C_{PD} is defined as the value of the internal equivalent capacitance which is derived from dynamic operating current consumption (I_{CCD}) at no output loading and operating at 50% duty cycle. (See Figure 12) C_{PD} is related to I_{CCD} dynamic operating current by the expression: I_{CCD} = (C_{PD})(V_{CC})(f_{in}) + (I_{CCstatic}).

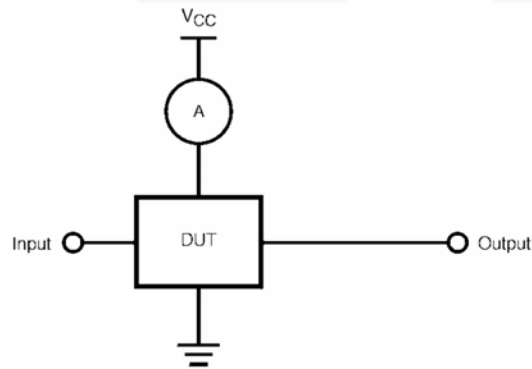
AC Loadings and Waveforms



Note:

- 5. C_L includes load and stray capacitance.
- 6. Input PRR = 1.0MHz, t_w = 500ns.

Figure 14. AC Test Circuit



Note:

- 7. Input = AC waveforms.
- 8. PRR = Variable; Duty Cycle = 50%.

Figure 15. I_{CCD} Test Circuit



Figure 16. AC Waveforms

Physical Dimensions

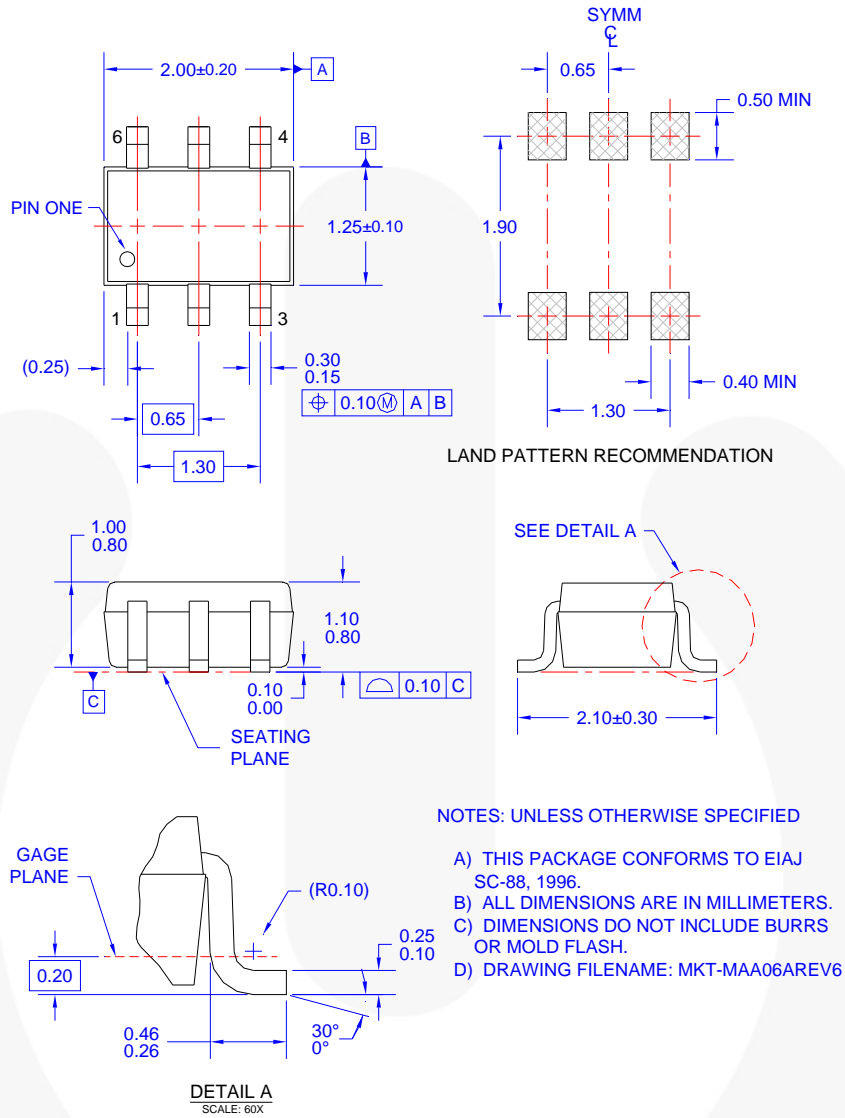


Figure 17. 6-Lead, SC70, EIAJ SC-88a, 1.25mm Wide

Package drawings are provided as a service to customers considering Fairchild components. Drawings may change in any manner without notice. Please note the revision and/or date on the drawing and contact a Fairchild Semiconductor representative to verify or obtain the most recent revision. Package specifications do not expand the terms of Fairchild's worldwide terms and conditions, specifically the warranty therein, which covers Fairchild products.

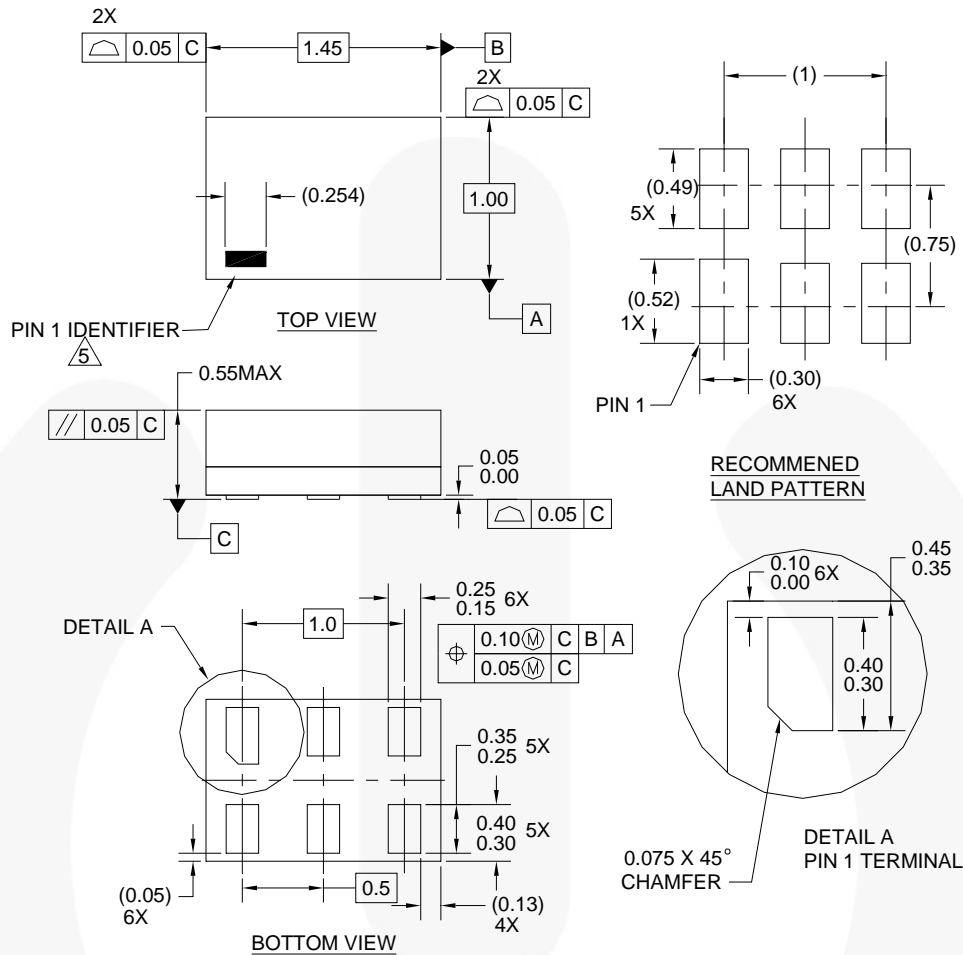
Always visit Fairchild Semiconductor's online packaging area for the most recent package drawings:
<http://www.fairchildsemi.com/packaging/>.

Tape and Reel Specifications

Please visit Fairchild Semiconductor's online packaging area for the most recent tape and reel specifications:
http://www.fairchildsemi.com/products/analog/pdf/sc70-6_tr.pdf

| Package Designator | Tape Section | Cavity Number | Cavity Status | Cover Type Status |
|--------------------|--------------------|---------------|---------------|-------------------|
| P6X | Leader (Start End) | 125 (Typical) | Empty | Sealed |
| | Carrier | 3000 | Filled | Sealed |
| | Trailer (Hub End) | 75 (Typical) | Empty | Sealed |

Physical Dimensions



Notes:

1. CONFORMS TO JEDEC STANDARD M0-252 VARIATION UAAD
2. DIMENSIONS ARE IN MILLIMETERS
3. DRAWING CONFORMS TO ASME Y14.5M-1994
4. FILENAME AND REVISION: MAC06AREV4
5. PIN ONE IDENTIFIER IS 2X LENGTH OF ANY OTHER LINE IN THE MARK CODE LAYOUT.

Figure 18. 6-Lead, MicroPak™, 1.0mm Wide

Package drawings are provided as a service to customers considering Fairchild components. Drawings may change in any manner without notice. Please note the revision and/or date on the drawing and contact a Fairchild Semiconductor representative to verify or obtain the most recent revision. Package specifications do not expand the terms of Fairchild's worldwide terms and conditions, specifically the warranty therein, which covers Fairchild products.

Always visit Fairchild Semiconductor's online packaging area for the most recent package drawings:
<http://www.fairchildsemi.com/packaging/>

Tape and Reel Specifications

Please visit Fairchild Semiconductor's online packaging area for the most recent tape and reel specifications:
http://www.fairchildsemi.com/products/logic/pdf/micropak_tr.pdf

| Package Designator | Tape Section | Cavity Number | Cavity Status | Cover Type Status |
|--------------------|--------------------|---------------|---------------|-------------------|
| L6X | Leader (Start End) | 125 (Typical) | Empty | Sealed |
| | Carrier | 5000 | Filled | Sealed |
| | Trailer (Hub End) | 75 (Typical) | Empty | Sealed |

Physical Dimensions



Figure 19. 6-Lead, MicroPak2™, 1x1mm Body, .35mm Pitch

Package drawings are provided as a service to customers considering Fairchild components. Drawings may change in any manner without notice. Please note the revision and/or date on the drawing and contact a Fairchild Semiconductor representative to verify or obtain the most recent revision. Package specifications do not expand the terms of Fairchild's worldwide terms and conditions, specifically the warranty therein, which covers Fairchild products.

Always visit Fairchild Semiconductor's online packaging area for the most recent package drawings:
<http://www.fairchildsemi.com/packaging/>

Tape and Reel Specifications

Please visit Fairchild Semiconductor's online packaging area for the most recent tape and reel specifications:
http://www.fairchildsemi.com/packaging/MicroPAK2_6L_tr.pdf

| Package Designator | Tape Section | Cavity Number | Cavity Status | Cover Type Status |
|--------------------|--------------------|---------------|---------------|-------------------|
| FHX | Leader (Start End) | 125 (Typical) | Empty | Sealed |
| | Carrier | 5000 | Filled | Sealed |
| | Trailer (Hub End) | 75 (Typical) | Empty | Sealed |



TRADEMARKS

The following includes registered and unregistered trademarks and service marks, owned by Fairchild Semiconductor and/or its global subsidiaries, and is not intended to be an exhaustive list of all such trademarks.

- | | | | |
|---|--|---|---|
| 2Cool™ | FPS™ | PDP SPM™ | The Power Franchise® |
| AccuPower™ | F-PFS™ | Power-SPM™ | the power franchise |
| Auto-SPM™ | FRFET® | PowerTrench® | TinyBoost™ |
| AX-CAPT™ | Global Power Resource™ | PowerXST™ | TinyBuck™ |
| BitSic® | Green FPST™ | Programmable Active Droop™ | TinyCalc™ |
| Build it Now™ | Green FPST™ e-Series™ | QFET® | TinyLogic® |
| CorePLUS™ | Gmax™ | QST™ | TINYOPTO™ |
| CorePOWER™ | GTO™ | Quiet Series™ | TinyPower™ |
| CROSSVOL™ | IntelliMAX™ | RapidConfigure™ | TinyPWM™ |
| CTL™ | ISOPLANAR™ |  ™ | TinyWire™ |
| Current Transfer Logic™ | Making Small Speakers Sound Louder and Better™ | Saving our world, 1mW/W/kW at a time™ | TranSiC® |
| DEUXPEED® | MegaBuck™ | SignalWise™ | TriFault Detect™ |
| Dual Cool™ | MICROCOUPLER™ | SmartMax™ | TRUECURRENT® |
| EcoSPARK® | MicroFET™ | SMART START™ | µSerDes™ |
| EfficientMax™ | MicroPak™ | SPM® |  ™ |
| ESBC™ | MicroPak2™ | STEALTH™ | UHC® |
|  ™ | MillerDrive™ | SuperFET® | Ultra FRFET™ |
| Fairchild® | MotionMax™ | SuperSOT™-3 | UniFET™ |
| Fairchild Semiconductor® | Motion-SPM™ | SuperSOT™-6 | VCX™ |
| FACT Quiet Series™ | mWSaver™ | SuperSOT™-8 | VisualMax™ |
| FACT® | OptoHiT™ | SupreMOS® | VoltagePlus™ |
| FAST® | OPTOLOGIC® | SyncFET™ | XST™ |
| FastvCore™ | OPTOPLANAR® | Sync-Lock™ | |
| FETBench™ | |  SYSTEM GENERAL® | |
| FlashWriter® | | | |

* Trademarks of System General Corporation, used under license by Fairchild Semiconductor.

DISCLAIMER

FAIRCHILD SEMICONDUCTOR RESERVES THE RIGHT TO MAKE CHANGES WITHOUT FURTHER NOTICE TO ANY PRODUCTS HEREIN TO IMPROVE RELIABILITY, FUNCTION, OR DESIGN. FAIRCHILD DOES NOT ASSUME ANY LIABILITY ARISING OUT OF THE APPLICATION OR USE OF ANY PRODUCT OR CIRCUIT DESCRIBED HEREIN; NEITHER DOES IT CONVEY ANY LICENSE UNDER ITS PATENT RIGHTS, NOR THE RIGHTS OF OTHERS. THESE SPECIFICATIONS DO NOT EXPAND THE TERMS OF FAIRCHILD'S WORLDWIDE TERMS AND CONDITIONS, SPECIFICALLY THE WARRANTY THEREIN, WHICH COVERS THESE PRODUCTS.

LIFE SUPPORT POLICY

FAIRCHILD'S PRODUCTS ARE NOT AUTHORIZED FOR USE AS CRITICAL COMPONENTS IN LIFE SUPPORT DEVICES OR SYSTEMS WITHOUT THE EXPRESS WRITTEN APPROVAL OF FAIRCHILD SEMICONDUCTOR CORPORATION.

As used herein:

- Life support devices or systems are devices or systems which, (a) are intended for surgical implant into the body or (b) support or sustain life, and (c) whose failure to perform when properly used in accordance with instructions for use provided in the labeling, can be reasonably expected to result in a significant injury of the user.
- A critical component in any component of a life support, device, or system whose failure to perform can be reasonably expected to cause the failure of the life support device or system, or to affect its safety or effectiveness.

ANTI-COUNTERFEITING POLICY

Fairchild Semiconductor Corporation's Anti-Counterfeiting Policy. Fairchild's Anti-Counterfeiting Policy is also stated on our external website, www.fairchildsemi.com, under Sales Support.

Counterfeiting of semiconductor parts is a growing problem in the industry. All manufacturers of semiconductor products are experiencing counterfeiting of their parts. Customers who inadvertently purchase counterfeit parts experience many problems such as loss of brand reputation, substandard performance, failed applications, and increased cost of production and manufacturing delays. Fairchild is taking strong measures to protect ourselves and our customers from the proliferation of counterfeit parts. Fairchild strongly encourages customers to purchase Fairchild parts either directly from Fairchild or from Authorized Fairchild Distributors who are listed by country on our web page cited above. Products customers buy either from Fairchild directly or from Authorized Fairchild Distributors are genuine parts, have full traceability, meet Fairchild's quality standards for handling and storage and provide access to Fairchild's full range of up-to-date technical and product information. Fairchild and our Authorized Distributors will stand behind all warranties and will appropriately address any warranty issues that may arise. Fairchild will not provide any warranty coverage or other assistance for parts bought from Unauthorized Sources. Fairchild is committed to combat this global problem and encourage our customers to do their part in stopping this practice by buying direct or from authorized distributors.

PRODUCT STATUS DEFINITIONS

Definition of Terms

| Datasheet Identification | Product Status | Definition |
|--------------------------|-----------------------|---|
| Advance Information | Formative / In Design | Datasheet contains the design specifications for product development. Specifications may change in any manner without notice. |
| Preliminary | First Production | Datasheet contains preliminary data; supplementary data will be published at a later date. Fairchild Semiconductor reserves the right to make changes at any time without notice to improve design. |
| No Identification Needed | Full Production | Datasheet contains final specifications. Fairchild Semiconductor reserves the right to make changes at any time without notice to improve the design. |
| Obsolete | Not In Production | Datasheet contains specifications on a product that is discontinued by Fairchild Semiconductor. The datasheet is for reference information only. |

Rev. I57

ON Semiconductor and  are trademarks of Semiconductor Components Industries, LLC dba ON Semiconductor or its subsidiaries in the United States and/or other countries. ON Semiconductor owns the rights to a number of patents, trademarks, copyrights, trade secrets, and other intellectual property. A listing of ON Semiconductor's product/patent coverage may be accessed at www.onsemi.com/site/pdf/Patent-Marking.pdf. ON Semiconductor reserves the right to make changes without further notice to any products herein. ON Semiconductor makes no warranty, representation or guarantee regarding the suitability of its products for any particular purpose, nor does ON Semiconductor assume any liability arising out of the application or use of any product or circuit, and specifically disclaims any and all liability, including without limitation special, consequential or incidental damages. Buyer is responsible for its products and applications using ON Semiconductor products, including compliance with all laws, regulations and safety requirements or standards, regardless of any support or applications information provided by ON Semiconductor. "Typical" parameters which may be provided in ON Semiconductor data sheets and/or specifications can and do vary in different applications and actual performance may vary over time. All operating parameters, including "Typicals" must be validated for each customer application by customer's technical experts. ON Semiconductor does not convey any license under its patent rights nor the rights of others. ON Semiconductor products are not designed, intended, or authorized for use as a critical component in life support systems or any FDA Class 3 medical devices or medical devices with a same or similar classification in a foreign jurisdiction or any devices intended for implantation in the human body. Should Buyer purchase or use ON Semiconductor products for any such unintended or unauthorized application, Buyer shall indemnify and hold ON Semiconductor and its officers, employees, subsidiaries, affiliates, and distributors harmless against all claims, costs, damages, and expenses, and reasonable attorney fees arising out of, directly or indirectly, any claim of personal injury or death associated with such unintended or unauthorized use, even if such claim alleges that ON Semiconductor was negligent regarding the design or manufacture of the part. ON Semiconductor is an Equal Opportunity/Affirmative Action Employer. This literature is subject to all applicable copyright laws and is not for resale in any manner.

PUBLICATION ORDERING INFORMATION

LITERATURE FULFILLMENT:

Literature Distribution Center for ON Semiconductor
19521 E. 32nd Pkwy, Aurora, Colorado 80011 USA
Phone: 303-675-2175 or 800-344-3860 Toll Free USA/Canada
Fax: 303-675-2176 or 800-344-3867 Toll Free USA/Canada
Email: orderlit@onsemi.com

N. American Technical Support: 800-282-9855 Toll Free
USA/Canada
Europe, Middle East and Africa Technical Support:
Phone: 421 33 790 2910
Japan Customer Focus Center
Phone: 81-3-5817-1050

ON Semiconductor Website: www.onsemi.com
Order Literature: <http://www.onsemi.com/orderlit>
For additional information, please contact your local
Sales Representative