

DIO5661

37V Step-Up LED Driver with PWM to Constant Current Dimming Mode

Features

- Drive up to 10 serial LEDs
- PWM to Constant Current dimming mode
- Integrated 40V high current switch (1.3A limit)
- Wide V_{IN} Input Range: 2.7V~5.5V
- Dimming scheme up to 100:1 range
- Up to 86% PWM converter Efficiency
- Low 200mV feedback voltage
- LED open-circuit (OVP) protection: 37V
- High switching frequency: 1.1MHz
- For Compact Solution Size
- Integrated Soft start
- < 1 μ A shutdown current
- Compact SOT23-6, TSOT23-6, DFN-6 Package
- Green compliant
- -40 to +85 °C Temperature range

Applications

- LED backlighting
- Mobile Phones
- Handheld Devices
- Digital Photo Frames
- Automotive Navigation

Descriptions

DIO5661 is a serial white LED driver, featuring an architecture of 86% high-efficiency current mode boost converter, driving up to 10 serial LEDs or a 3x13(3LEDs in rows) LED matrix. And it adopts PWM to Constant Current dimming control mode, with wide frequency range from 200Hz to 200kHz (The dimming frequency above 10kHz is recommended). The serial configuration assures the very most brightness consistency of the whole LED array.

DIO5661 works on 1.1MHz switching frequency, which can maximize current output of 1.3A limit and achieve high current conversion efficiency and result in external compact component size. Additionally, the total external component number is minimized due to the integrated low-side power MOSFET.

DIO5661 integrates multiple protection features, such as LED open-circuit protection, thermal shutdown protection and cycle-by-cycle input current limit protection. And the built-in soft start circuit limits inrush current when the circuit starts.

Ordering Information

| Order Part Number | Top Marking | | T_A | Package | |
|-------------------|-------------|-------|--------------|----------|-------------------|
| DIO5661ST6 | 61YW | Green | -40 to +85°C | SOT23-6 | Tape & Reel, 3000 |
| DIO5661TST6 | 61YW | Green | -40 to +85°C | TSOT23-6 | Tape & Reel, 3000 |
| DIO5661CD6 | D61 | Green | -40 to +85°C | DFN2*2-6 | Tape & Reel, 3000 |

Pin Assignment

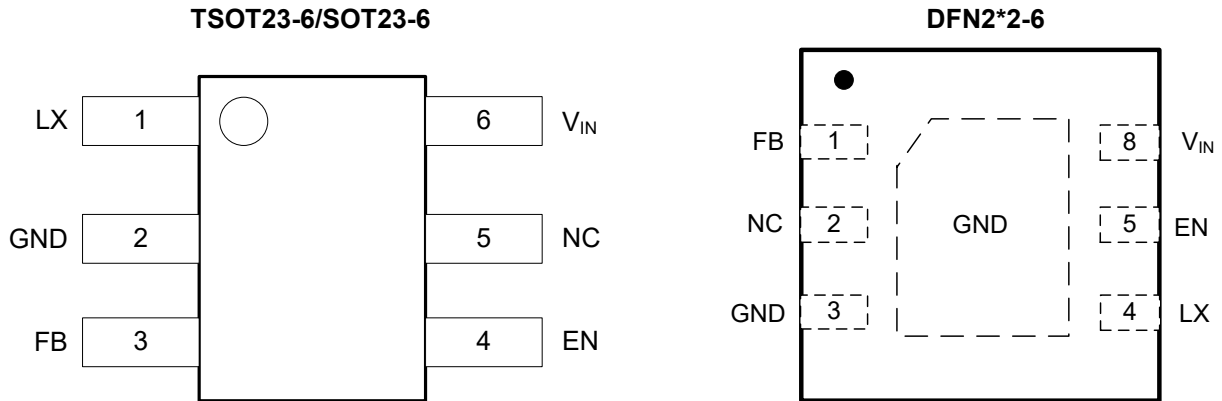


Figure 1 Top View

Pin Descriptions

| Name | Description |
|-----------------|---------------------------------------|
| LX | Converter switching node |
| GND | Converter/IC ground |
| FB | Output feedback pin regulated at 0.2V |
| EN | IC enable and PWM dimming control pin |
| NC | No connected |
| V _{IN} | IC supply voltage |



DIO5661

37V Step-Up LED Driver with PWM to Constant Current Dimming Mode

Absolute Maximum Ratings

Stresses beyond those listed under "Absolute Maximum Rating" may cause permanent damage to the device. These are stress ratings only and functional operation of the device at these or any other condition beyond those indicated in the operational sections of the specifications is not implied. Exposure to absolute maximum rating conditions for extended periods may affect device reliability.

| Parameter | | Rating | Unit |
|-------------------------------------------------------|-------------------------|------------------------|------|
| Supply Voltage / V_{IN} | | -0.3 to 6.0 | V |
| High Voltage Nodes / LX | | -0.3 to 40 | V |
| Other pins / FB, EN | | -0.3 to $V_{IN} + 0.3$ | V |
| Operating Temperature Range / T_J | | -40 to 150 | °C |
| Storage Temperature Range / T_S | | -65 to 150 | °C |
| Lead Temperature Range / T_{LEAD} | | 300 | °C |
| Thermal Resistance / θ_{JA} | SOT23-6/TSOT23-6 | 190 | °C/W |
| | DFN2*2-6 | 140 | |
| Maximum Power Dissipation at $T_A < 25^\circ\text{C}$ | | 0.526 | W |
| ESD | HBM, JEDEC: JESD22-A114 | 4 | kV |
| | CDM, JEDEC: JESD22-C101 | 2 | kV |

Recommend Operating Conditions

The Recommended Operating Conditions table defines the conditions for actual device operation. Recommended Operating conditions are specified to ensure optimal performance to the datasheet specifications. DIOO does not Recommend exceeding them or designing to Absolute Maximum Ratings.

| Parameter | Rating | Unit |
|-----------------------------|------------|------|
| Supply Voltage | 2.7 to 5.5 | V |
| Operating Temperature Range | -40 to 85 | °C |



DIO5661

37V Step-Up LED Driver with PWM to Constant Current Dimming Mode

Electrical Characteristics

Typical value: $V_{CC}=3.6V$, $T_A = 25^{\circ}C$, unless otherwise specified.

| Symbol | Parameter | Conditions | Min. | Typ. | Max. | Unit |
|------------------------|------------------------------------------------------|------------|-------|------|-------|-------------|
| IC Supply | | | | | | |
| V_{IN} | Input operating range | | 2.7 | | 5.5 | V |
| $UVLO_{HYST}$ | UVLO hysteresis | | | 0.22 | | V |
| I_Q | IC quiescent current(non switching) | FB=0.4V | | 0.22 | | mA |
| | IC quiescent current(switching) | FB=0V | | 0.67 | | mA |
| I_{SHDN} | V_{IN} pin shutdown current | EN=GND | | | 0.1 | μA |
| Boost Converter | | | | | | |
| FB | FB pin accuracy | | 0.190 | 0.2 | 0.210 | V |
| I_{FB} | FB pin bias current | | | 0.1 | | μA |
| $R_{DS(ON)}$ | NMOS on-resistance | | | 0.4 | | Ω |
| I_{LX} | LX pin leakage current | | | 0.1 | | μA |
| I_{LIM} | Peak NMOS current limit | | 1.0 | 1.3 | 1.6 | A |
| F_{SW} | Oscillator frequency | | | 1.1 | | MHz |
| D_{MAX} | Maximum duty cycle | | | 95 | | % |
| OVP | Over voltage threshold, Measured at V_{OUT} pin | | | 37 | 39 | V |
| T_S | Start-up time | | | 1 | | ms |
| Logic Signal | | | | | | |
| V_{TH-L} | Logic low threshold | | | | 0.4 | V |
| V_{TH-H} | Logic high threshold | | 1.4 | | | V |
| T_{OFF} | EN low to shutdown time | | | 2 | | ms |
| F_{EN} | Dimming frequency | | 0.2 | | 200 | kHz |
| T_{J-TH} | IC junction thermal shutdown threshold | | | 146 | | $^{\circ}C$ |
| | IC junction thermal shutdown hysteresis | | | 19 | | $^{\circ}C$ |

Specifications subject to change without notice.



DIO5661

37V Step-Up LED Driver with PWM to Constant Current Dimming Mode

Application Circuit

In typical application, DIO5661 is competent in the below two configurations: 10 series LED-Array and 3(row)x13 LED Matrix. As depicted in following figures:

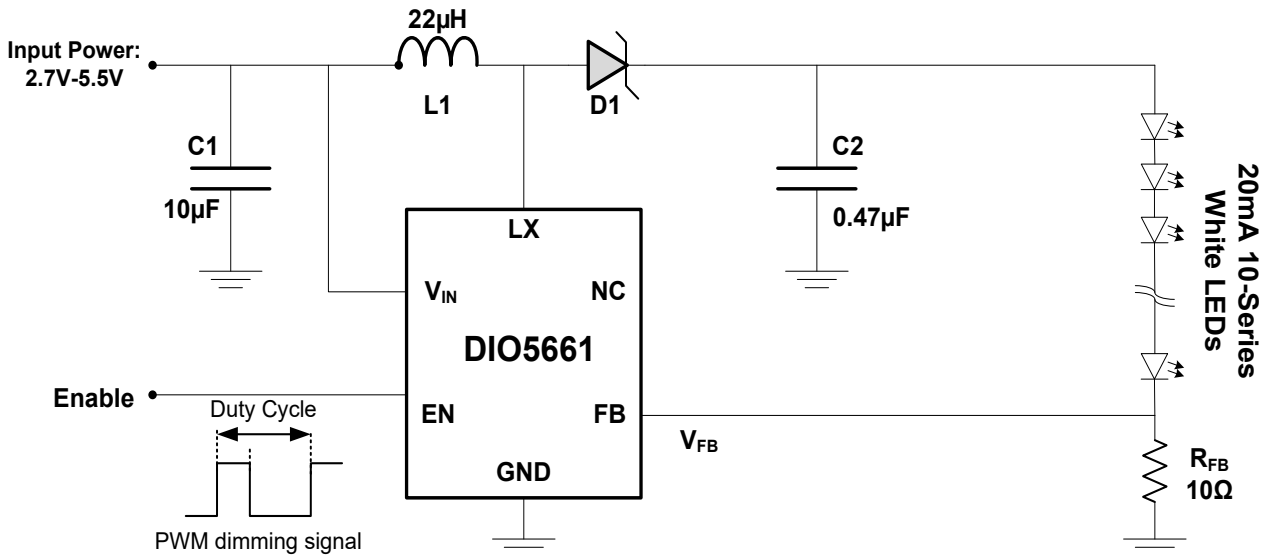


Figure 2. 10 Series LED Array Application Circuit Configuration

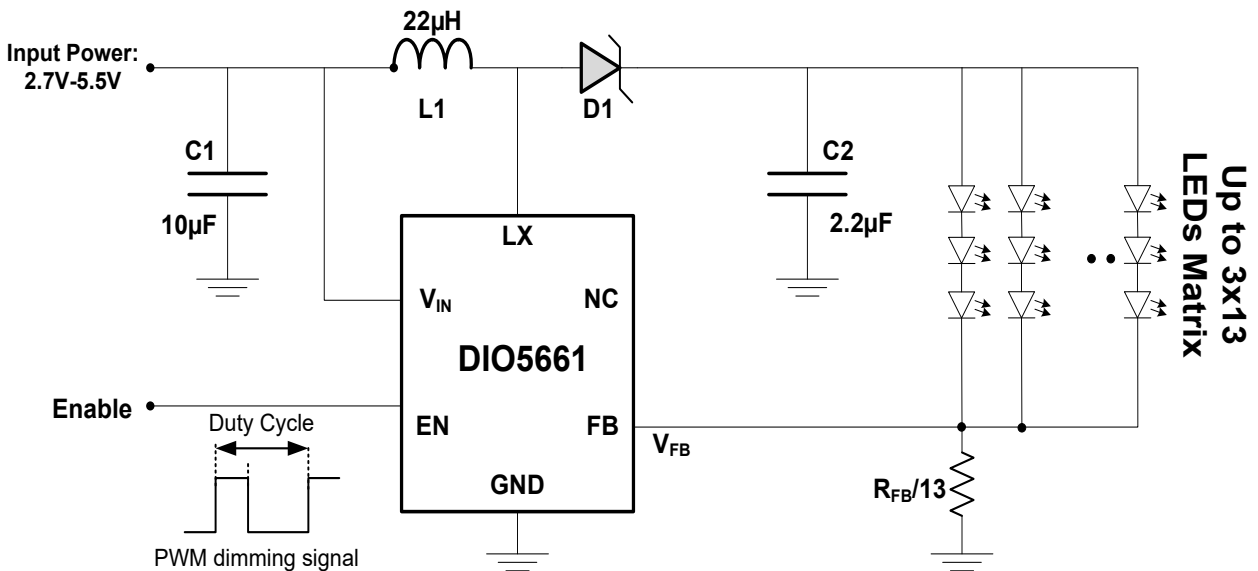


Figure 3. 3x13 (3 LEDs in row) LED Matrix Application Circuit Configuration

Note: A 22µH inductor is recommended for DIO5661.



DIO5661

37V Step-Up LED Driver with PWM to Constant Current Dimming Mode

Functional Block Diagram

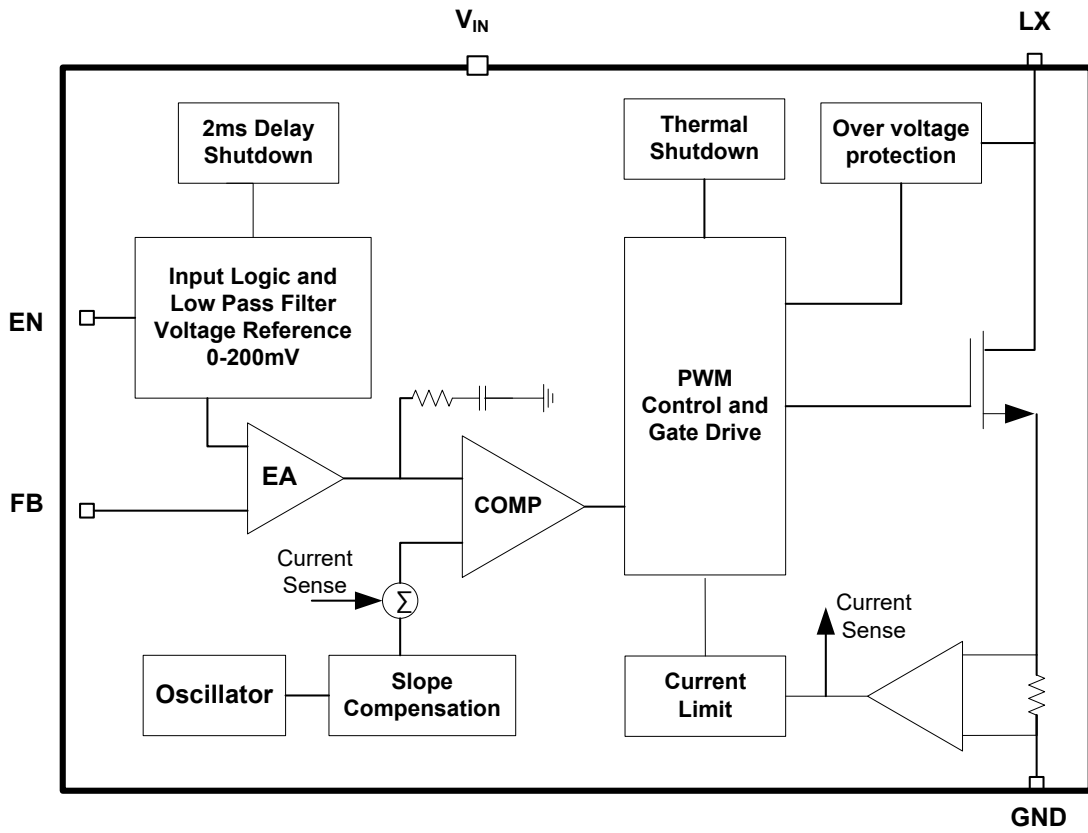


Figure 4. Functional Block Diagram



DIO5661

Operation Principle

DIO5661 utilizes a constant frequency current-mode boost converter architecture to power white LED strings or arrays by pumping current precisely regulated by feedback voltage V_{FB} and feedback resistor R_{FB} , illustrated in Figure 6, Page 8.

As illuminated in the Functional Block Diagram above, PWM Control and Gate Drive Block periodically opens and closes the Power MOSFET synchronized with Oscillator. At the rising edge of Oscillator pulse, Power MOSFET is turned on, while closed when the comparator tells the Current Sense slope ramp goes above the output "difference" of error amplifier EA. The Current Sense slope ramp is generated by Current Sense from sampling inductor charging current and compensated by Slope Compensation. And the output "difference" comes from comparing feedback voltage V_{FB} with internal reference voltage V_{REF} by Error Amplifier EA. Both the two close loops assure the output current stabilization and make feedback voltage V_{FB} in consistency with reference voltage V_{REF} . and we will see in the next section that the IC dims LEDs by regulating the reference voltage.

DIO5661 integrates soft-start to limit the inrush current on the output. And DIO5661 also features internal protection circuits such as over-voltage protection (OVP), cycle-by-cycle current limit protection and thermal shutdown.

DIO5661 adopts PWM dimming control by regulating the reference voltage. The PWM signals through a low-pass filter, then transfer to an analog reference voltage.(PWM to Constant Current Mode). Pin EN listens PWM signals from 200Hz to 200kHz. Once powered on, the DIO5661 gradually soft starts to output LED current proportional to the PWM signal duty cycle. A 100% duty cycle PWM signal leads the IC to maximum current output. And a 0% duty cycle PWM signal or a 2ms long low pulse will shutdown the IC. Any non-0% duty cycle PWM signal to Pin EN will arouse the IC again. Dimming scheme up to 100:1 range.

All the dimming process could be explained in detail that, the output LED current is controlled by the internal feedback voltage V_{FB} , as illustrated in the following Application Notes- LED current Setting Section. And the value of V_{FB} (from 0 to 200mV) is absolutely proportional to the duty cycle of PWM signal (from 0% to 100%). More is depicted in the below figure.

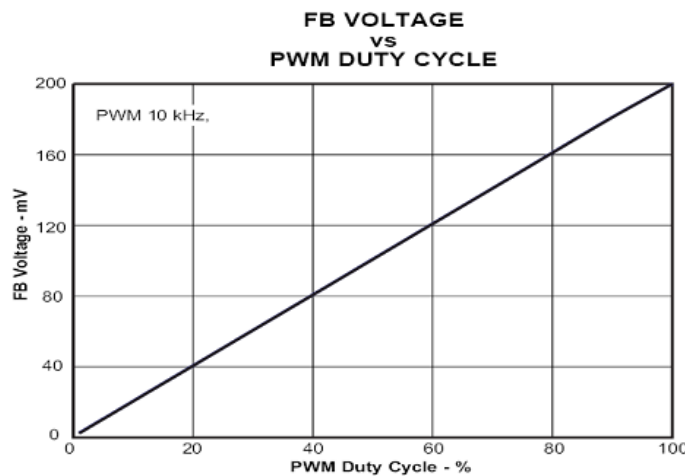


Figure 5. Duty cycle of PWM signal vs. Reference Voltage V_{REF}

Application Notes:

MAX LED Current Settings

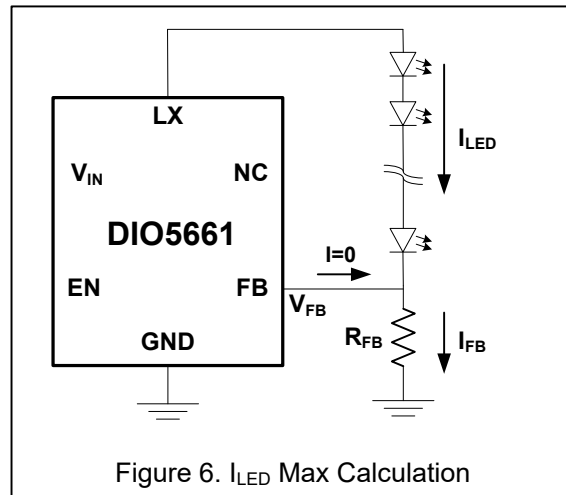
LED Current is determined by the current through the feedback resistor R_{FB} , as depicted in the right-hand figure. V_{FB} is a high-impedance state input feedback voltage, so no current goes through Pin FB and the built-in "boost" DC/DC has to pump current to feed I_{FB} .

$$I_{LED} = I_{FB} = V_{FB} / R_{FB}$$

V_{FB} equals to V_{REF} which is internally set to a maximum value of 200mV. So

$$I_{LED(MAX)} = 200mV / R_{FB}$$

For LED current accuracy, 1% precision resistor is recommended.



Feedback Voltage V_{FB} Calculation

The feedback voltage V_{FB} is regulated by the internal reference voltage V_{REF} , which is in detail described in Figure 5. So the V_{FB} is approximately same as V_{REF} in the timing, except for that V_{FB} always has a delay with respect to V_{REF} since both in the start-up or the dimming process, the system takes time to adjust V_{FB} equal to V_{REF} . if we neglect these delays, V_{FB} changes with Pin EN signal just as the V_{REF} .

Recommended LED Dimming Method for 10-LEDs series Application

EN pin PWM signal dimming

The principle of PWM dimming control is explained in detail above. A certain duty cycle PWM signal to EN pin will reset the reference voltage V_{REF} , which will in turn determine the LED current. If we set $R_{FB} = 10.0\Omega$, so $I_{LED(MAX)} = 20mA$, then we have I_{LED} changes with the PWM duty cycle as the following:

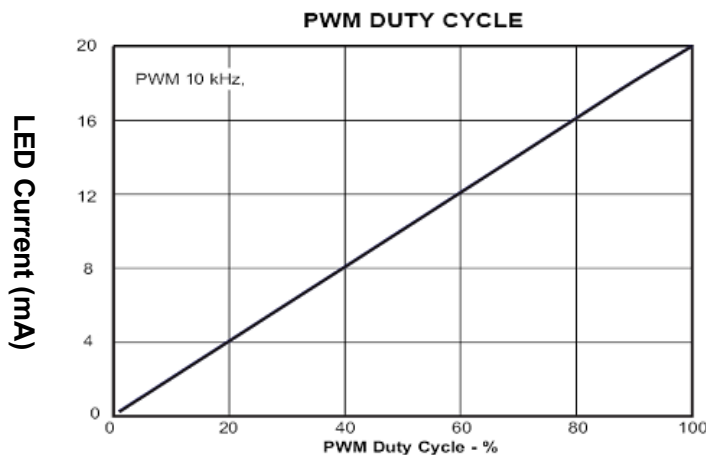


Figure 7. Duty cycle of PWM signal vs. LED Current



DIO5661

Inductor Selection

A 10µH~22µH inductor is recommended for both 10-LED serial string and 3x13 LED matrix application. A low DCR inductor could be suggested if a high efficiency is critical. The inductor's saturation current rating should also exceed the peak input current, especially for high load current application such as 3x13 matrix.

Table 1. Inductor Selector

| Part Number | Inductor(µH) @100KHz,1V | DCR(Ω) +/-30% | Min. Self-resonant Frequency(MHz) | Saturation Current(A) | Heat Rating Current(A) |
|----------------|----------------------------|------------------|--------------------------------------|--------------------------|---------------------------|
| SWPA8040S100MT | 10+/-20% | 0.029 | 15 | 3.60 | 3.30 |
| SWPA8040S220MT | 22+/-20% | 0.069 | 9.5 | 2.40 | 2.10 |

The Calculation Formula of Inductor Peak to Peak (Ipp):

$$I_{PP} = \frac{V_{in} \times D}{L \times F_s}$$

The Calculation Formula of The Cycle Duty:

$$D = \frac{t_{on}}{T_s} = \frac{V_{out} + V_f - V_{in}}{V_{out} + V_f}$$

Vin : The voltage of Input

Ipp : Inductor Peak to Peak

L : The Inductor Value

Vf : The forward bias voltage of Schottky diode

Fs : Switching frequency (1/Ts)

Vout : The voltage of Output

The Calculation Formula of The Inductor Peak current:

$$I_{peak} = I_{in} + \frac{I_{pp}}{2} + \frac{V_{out} * I_{out}}{V_{in} * \eta} + \frac{V_{in} \times D}{2 \times L \times F_s}$$

Capacitor Selection

Small size ceramic capacitors are recommended for DIO5661 application. A 10µF input capacitor and a 0.47µF output capacitor are recommended for 10/8/6-Series LED applications. Larger value output capacitors like 2.2µF are recommended in higher output current applications to minimize output ripple. Ceramic capacitor Vendors such as Murata, AVX, Taiyo Yuden are recommended.

Diode Selection

Since DIO5661's low forward voltage drop and fast reverse recovery time, a schottky diode is recommended. The current rating of the schottky diode should exceed the peak current of the boost converter. The voltage rating should also exceed the target output voltage.



DIO5661

37V Step-Up LED Driver with PWM to Constant Current Dimming Mode

Table 2. Diode Selector

| Applications | Schottky Diode Part Number | Forward Voltage/ V | Forward Current mA | Reverse Voltage V | Manufacturer |
|-----------------------------------|----------------------------|--------------------|--------------------|-------------------|--------------|
| 20mA, 8/10 Serial LEDs 37V OVP | PMEG6010CEJ | 0.57 | 1000 | 60 | NXP |

PCB Layout Design Recommendation

As for all switching power supplies, especially those high frequency and high current ones, layout is an important design step. If layout is not carefully done, the regulator could suffer from instability as well as noise problems. To reduce switching losses, the LX pin rise and fall times are made as short as possible. To prevent radiation of high frequency resonance problems, proper layout of the high frequency switching path is essential. Minimize the length and area of all traces connected to the LX pin and always use a ground plane under the switching regulator to minimize inter-plane coupling. The loop including the PWM switch, Schottky diode, and output capacitor, contains high current rising and falling in nanosecond and should be kept as short as possible. The input capacitor needs not only to be close to the V_{IN} pin, but also to the GND pin in order to reduce the IC supply ripple. Figure 8 shows a sample layout.

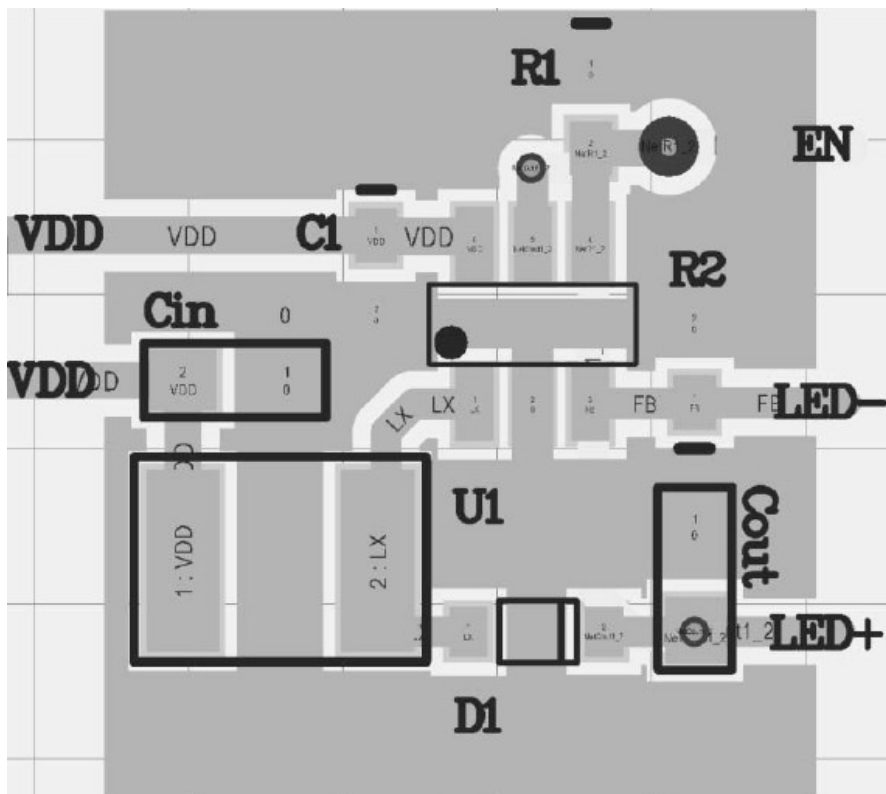
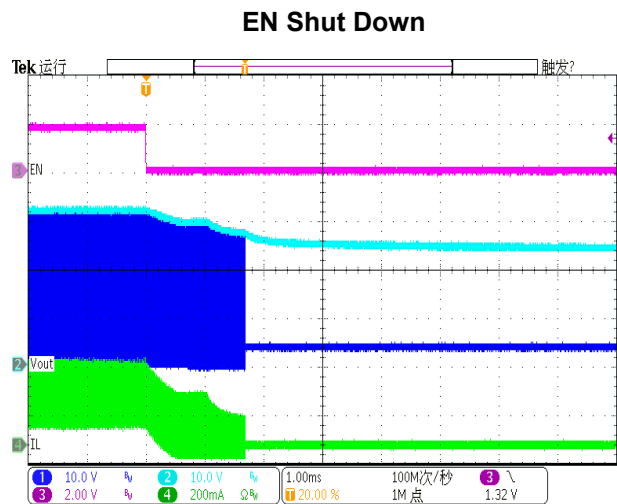
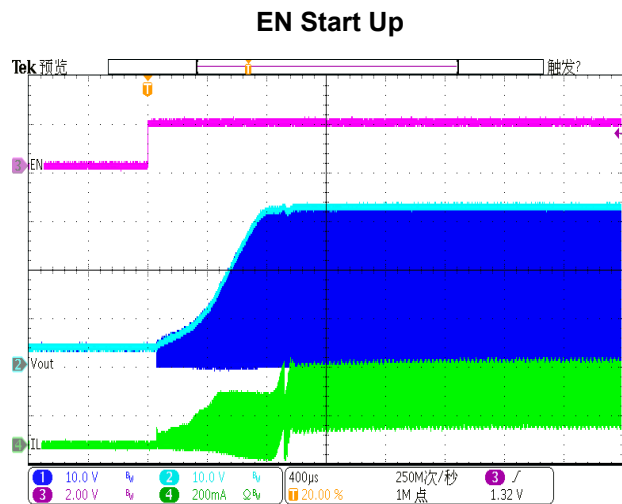
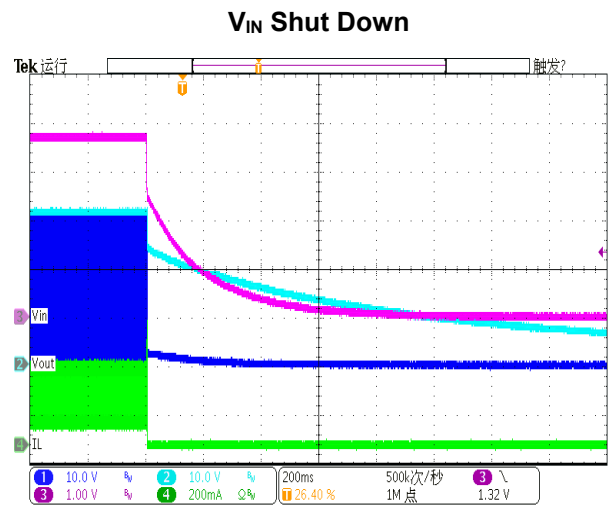
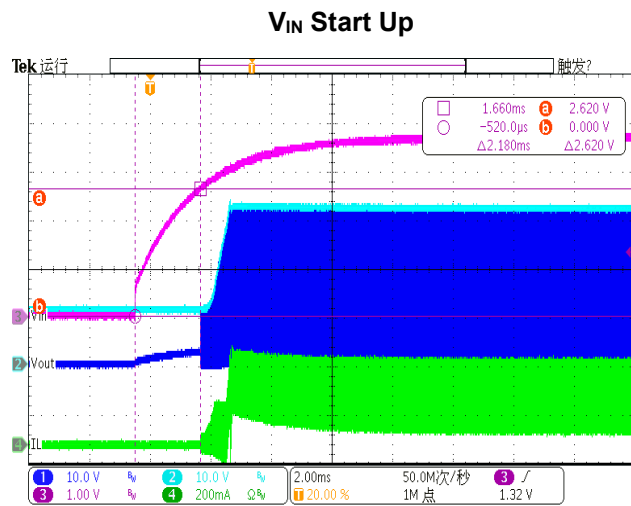
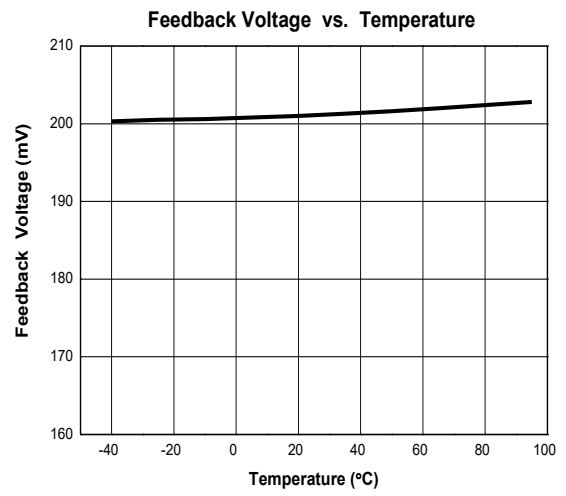
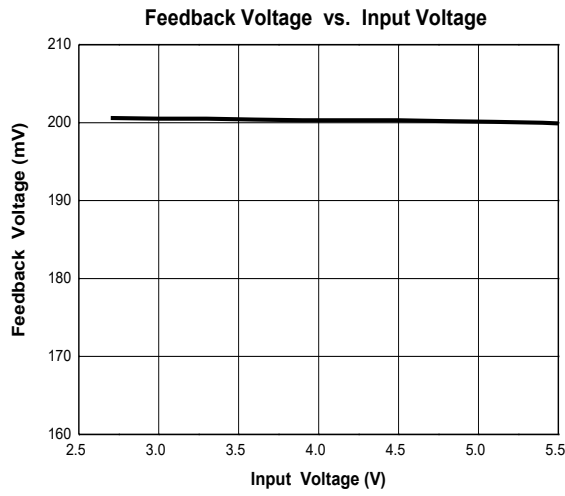


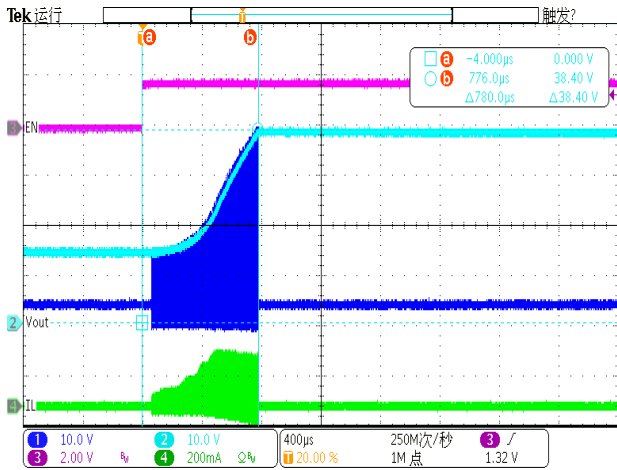
Figure 8. PCB Layout recommended

Typical Performance Characteristics

Typical value: $V_{CC}=3.6V$, $T_A = 25^\circ C$, unless otherwise specified.



Over Voltage Protection



Over Temperature Protection

