

RoHS Device  
Halogen Free



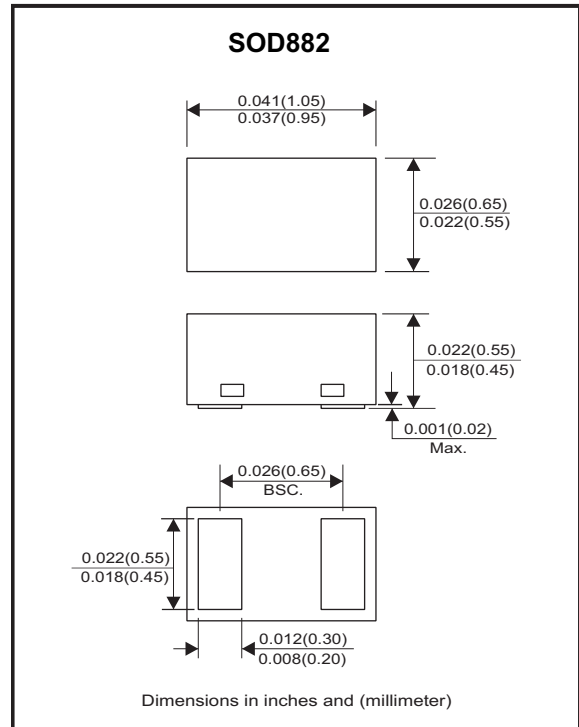
### Features

- Bi-directional ESD protection.
- IEC 61000-4-2 (ESD) ;  $\pm 30\text{KV}$ (contact)
- Surface mount package.
- High component density.
- Low clamping voltage.
- Low leakage.

### Mechanical data

- Case: SOD882/0402 package, molded plastic.
- Terminals: Gold plated, solderable per MIL-STD-750,method 2026.
- Mounting position: Any.
- Weight: 0.001 grams(approx.).

### Circuit Diagram



### Maximum Rating (at $T_A=25^\circ\text{C}$ unless otherwise noted)

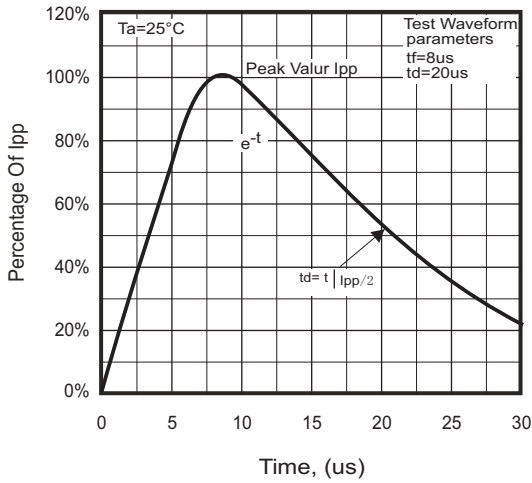
Parameter	Conditions	Symbol	Value	Unit
Peak pulse power	$T_P = 8/20\mu\text{s}$	$P_{PP}$	85	W
Peak pulse current	$T_P = 8/20\mu\text{s}$	$I_{PP}$	5	A
ESD capability	IEC 61000-4-2(air)	ESD	$\pm 30$	kV
	IEC 61000-4-2(contact)	ESD	$\pm 30$	
Operation temperature range		$T_j$	$-40\sim+125$	$^\circ\text{C}$
Storage temperature range		$T_{STG}$	$-55\sim+150$	$^\circ\text{C}$

### Electrical Characteristics (at $T_A=25^\circ\text{C}$ unless otherwise noted)

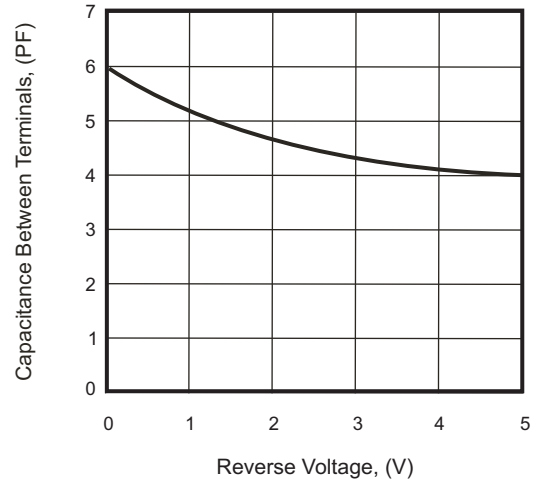
Parameter	Conditions	Symbol	Min	Typ	Max	Unit
Working peak reverse voltage		$V_{RWM}$			5	V
Diode breakdown voltage	$I_T = 1\text{mA}$	$V_{BR}$	5.6			V
Reverse current	$V_{RWM} = 5\text{V}$	$I_R$			0.1	$\mu\text{A}$
Clamping voltage	$I_{PP} = 1\text{A}, T_P = 8/20\mu\text{s}$	$V_C$		8	11	V
	$I_{PP} = 5\text{A}, T_P = 8/20\mu\text{s}$	$V_C$		13	17	V
Junction capacitance	$V_R = 0\text{V}, f = 1\text{MHz}$	$C_J$		6	9	pF

**RATING AND CHARACTERISTIC CURVES (PESD5V0S1BL)**

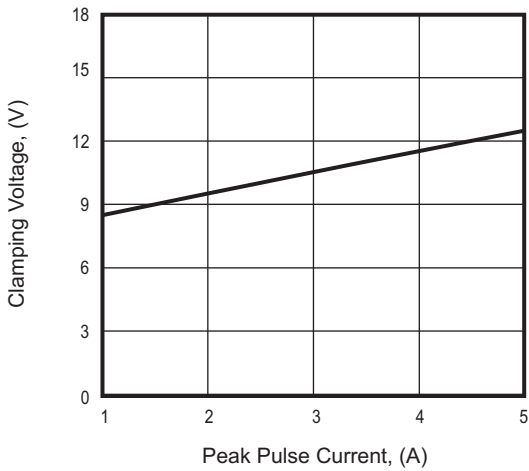
**Fig.1- 8/20us Peak Pulse Current Wave Form Acc. IEC61000-4-5**



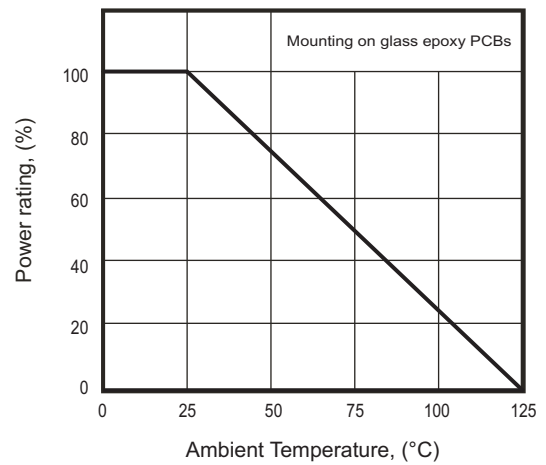
**Fig.2 - Typical Capacitance Between Terminals Characteristics**



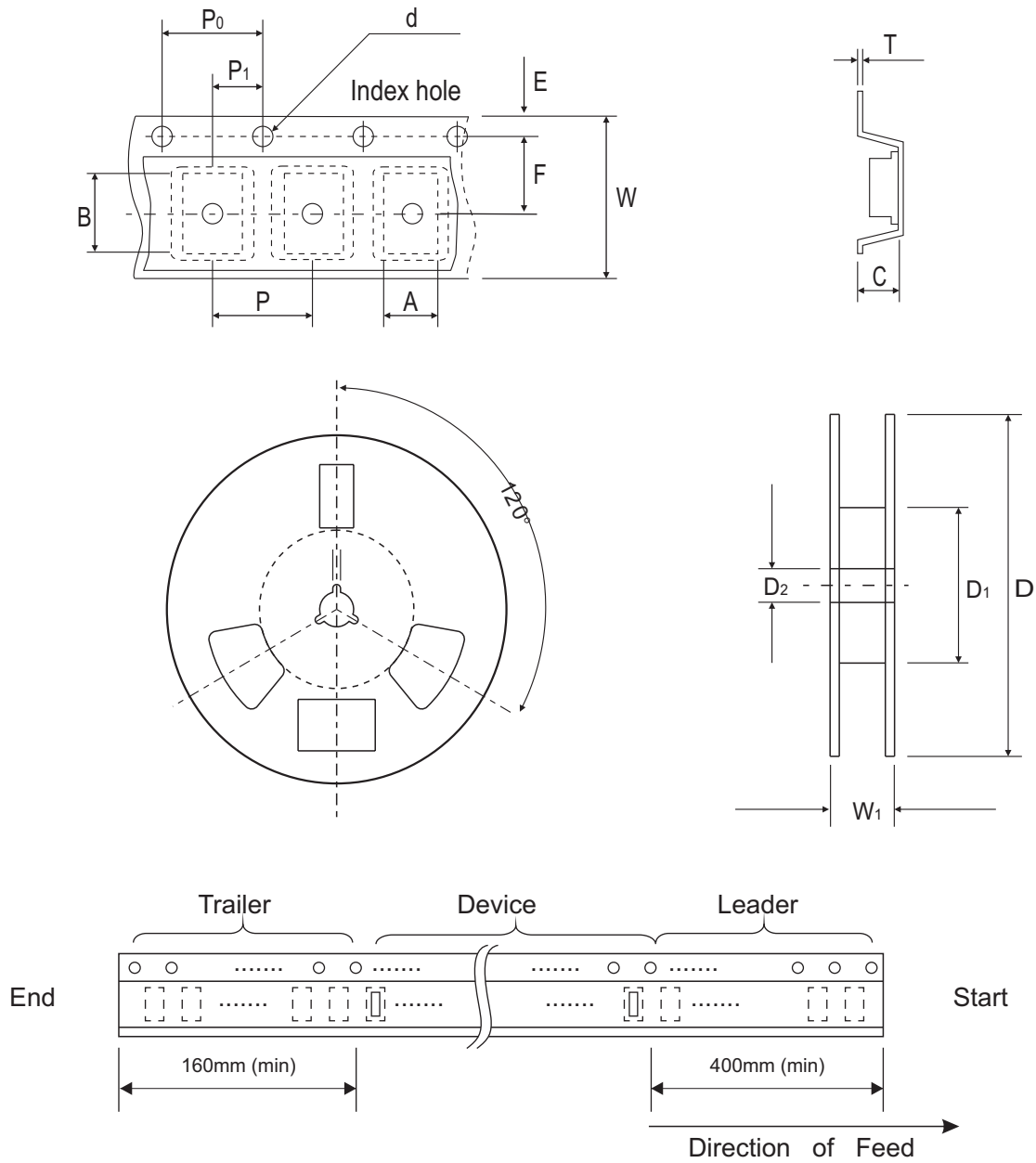
**Fig.3 - Typical Clamping Voltage Vs. Peak Pulse Current**



**Fig. 4 - Power Rating Derating Curve**



### Reel Taping Specification

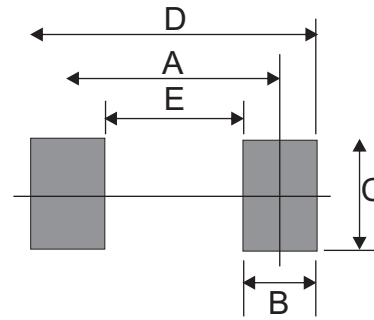


SOD882	SYMBOL	A	B	C	d	D	D <sub>1</sub>	D <sub>2</sub>
	(mm)	0.75 ± 0.05	1.17 ± 0.05	0.65 ± 0.05	1.50 + 0.10 - 0	178.00 ± 1.00	60.00 ± 0.50	13.50 ± 0.20
	(inch)	0.030 ± 0.002	0.046 ± 0.002	0.026 ± 0.002	0.059 + 0.004 - 0	7.008 ± 0.039	2.362 ± 0.020	0.531 ± 0.008

SOD882	SYMBOL	E	F	P	P <sub>0</sub>	P <sub>1</sub>	T	W	W <sub>1</sub>
	(mm)	1.75 ± 0.10	3.50 ± 0.10	4.00 ± 0.10	4.00 ± 0.10	2.00 ± 0.10	0.20 + 0.02 - 0.05	8.00 ± 0.20	12.00 + 0.50 - 0
	(inch)	0.069 ± 0.004	0.138 ± 0.004	0.157 ± 0.004	0.157 ± 0.004	0.079 ± 0.004	0.008 + 0.001 - 0.002	0.315 ± 0.008	0.472 + 0.020 - 0

### Suggested PAD Layout

SIZE	SOD882	
	(mm)	(inch)
<b>A</b>	0.70	0.028
<b>B</b>	0.40	0.016
<b>C</b>	0.60	0.024
<b>D</b>	1.10	0.043
<b>E</b>	0.30	0.012



### Standard Packaging

Case Type	REEL PACK	
	REEL (pcs)	Reel Size (inch)
<b>SOD882</b>	10,000	7