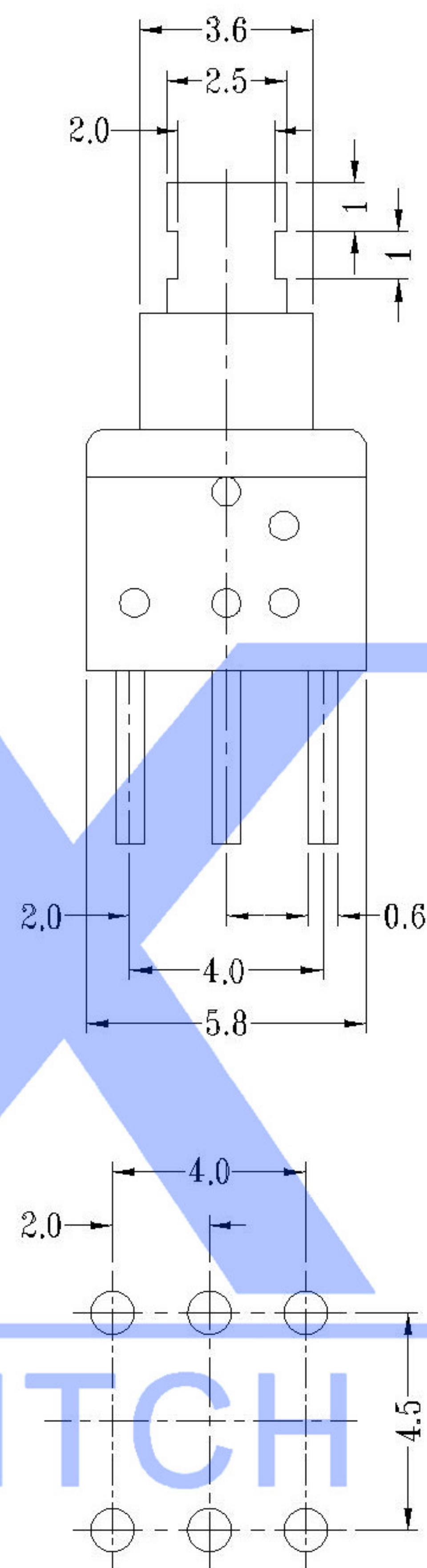
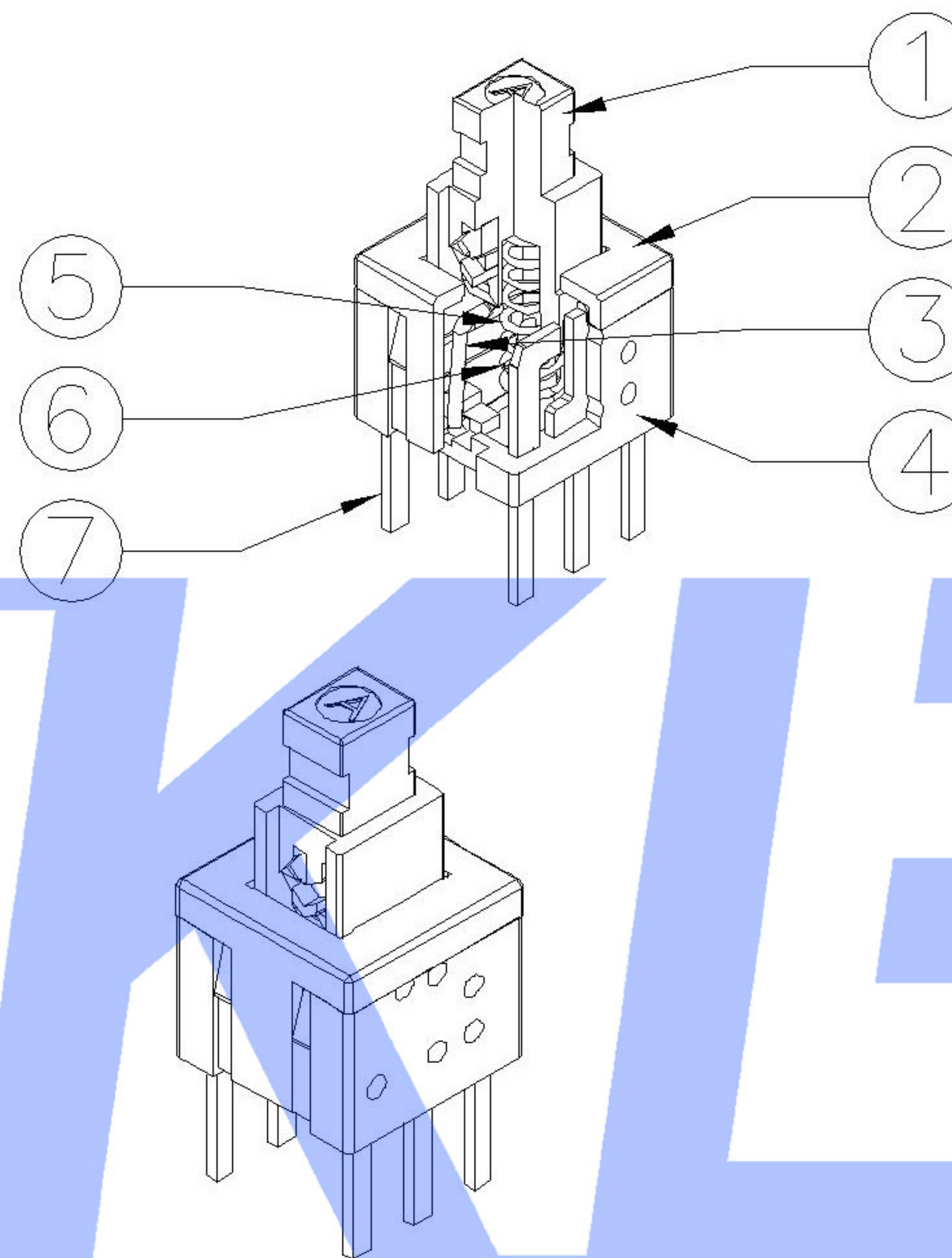


CIRCUIT DIAGRAM



P.C.B LAYOUT  
BOTTOM VIEW



## FEATURES

- Light operating force.
- Long term low contact resistance.
- Momentary or latching operation.
- Short stroke 1.5mm to latch.
- Compact spacing on PCB of 5.8mm.

## SPECIFICATIONS

### 1.ELECTRICAL

● Contact rating	0.1A, 30VDC
● Contact resistance	50mWMax.
● Insulation resistance	100MΩMin. at 250VDC
● Dielectric strength	250VAC Min. for 60 sec.

### 2.MECHANICAL AND ENVIRONMENTAL

● Temperature rating	Operating: -15°C to +55°C Storage: -25°C to +65°C
● Operation force	160±80gf
● Stroke	Lock Stroke: 1.5±0.2mm Full Stroke: 2.5±0.2mm
● Operating life	full load: 1x10 <sup>4</sup> cycles no load: 1x10 <sup>5</sup> cycles
● Contact form	DPDT

ITEM	PAPT NAMF	TER.NO	QTY	MATERIAL	FINISHING	REMARK
⑦	Contact		2	Phosphor bronze	ag Plated	
⑥	Terminal		6	Brass	ag Plated	
⑤	spring		1	SUS	Natural	
④	Base		1	Nylon		
③	Crochet Needle		1	SUS	Natural	
②	Cover		1	Nylon		
①	Keystake		1	Nylon		

PAPT NO	XKB5858-X
OPERATION	W:NO LOCK Z:LOCK

MARK	DESCRIPTION	DATE	REVISED	APPROVED	UNSPECIFIED TOLERANCES	DSND	DATE	SCALE: N/A	MODEL TYPE: PUSH SWITCH		
ΔX					ANGULAR ±5°	DWN	DATE	VIEW:	PART NO.: XKB5858		
ΔX					L ≤ 4 ±0.2	CHKD	DATE	UNIT: mm	DWG NO.: XKB5858-X		
ΔX					4 < L ≤ 16 ±0.3	APPD	DATE	SIZE: A4			
ΔX					16 < L ≤ 63 ±0.4						
MARK					L > 63 ±0.5						
REVISIONS						XKB INDUSTRIAL PRECISION CO.,LIMITED			WEIGHT	SHEET	REVISION
www.xk-dg.cn www.helloxkb.com www.helloxkb.cn									1.0g	1/1	A0