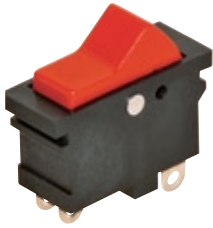
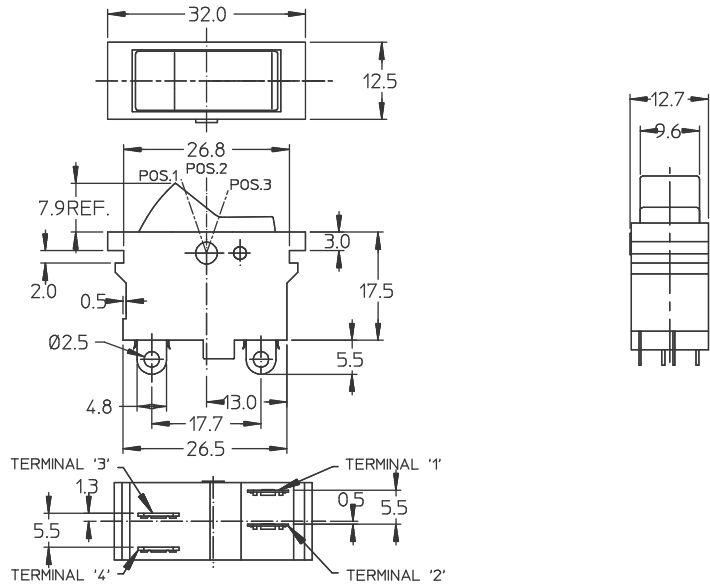


# DRB



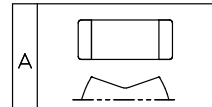
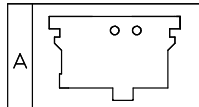
- double pole, single / double throw
- ratings
  - 13A 125VAC, 6.5A 250VAC
  - 10A 250VAC T85
  - 6A 250VAC T85



## DRB-XXXX

- **X** - **X** **X** X X **X** - XXX

P	position	1	2	3
	CIRCUIT	OFF	1-3	1-3 2-4

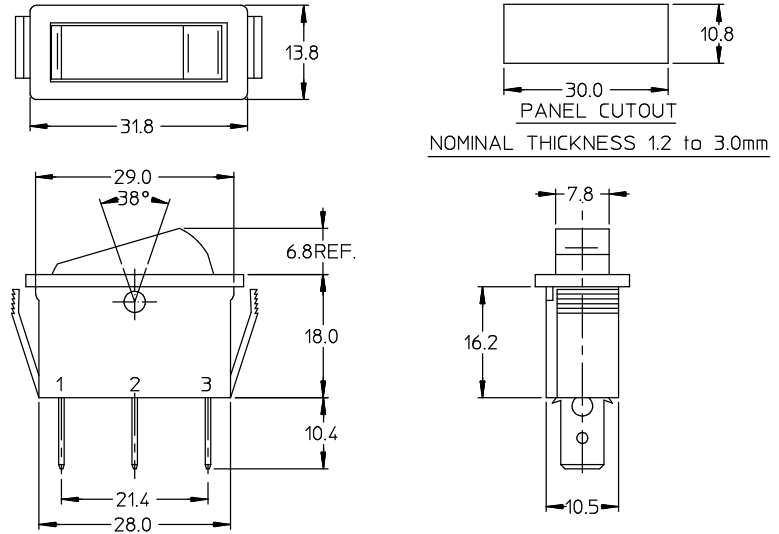


1 | 600~2100gf

# DRD



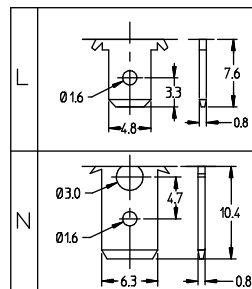
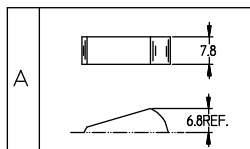
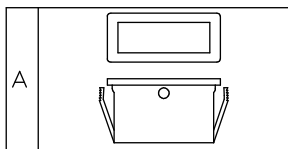
- single pole, single throw
- ratings
  - 12A 125VAC T105
  - 15(3)A 250VAC T85
  - 12(3)A 250VAC T85



## DRD-XXXX

- **X** - **X** **X** **X** X **X** - XXX

O	ON-OFF 
N	ON-OFF WITH LAMP 



1 | 550+200 gf