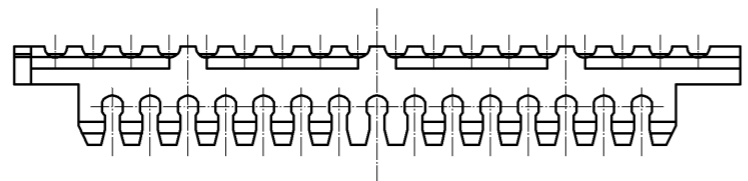
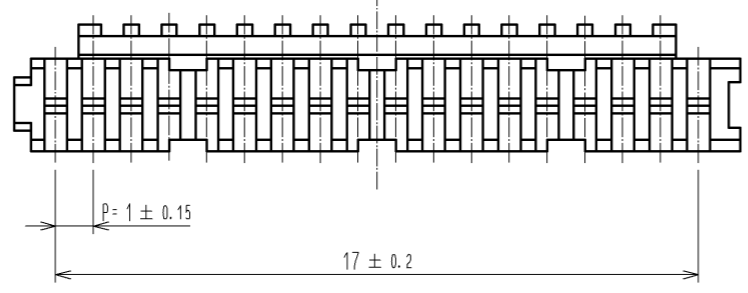
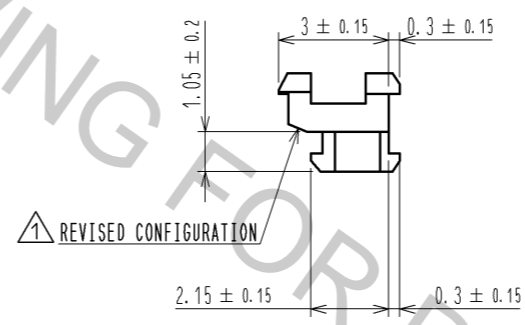
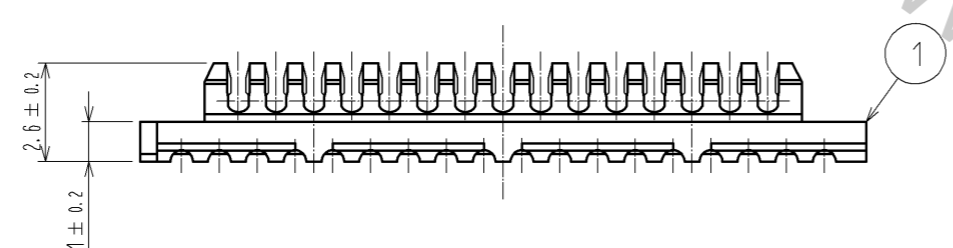
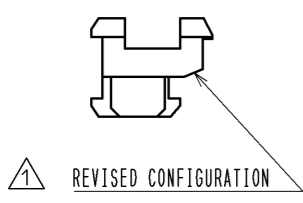
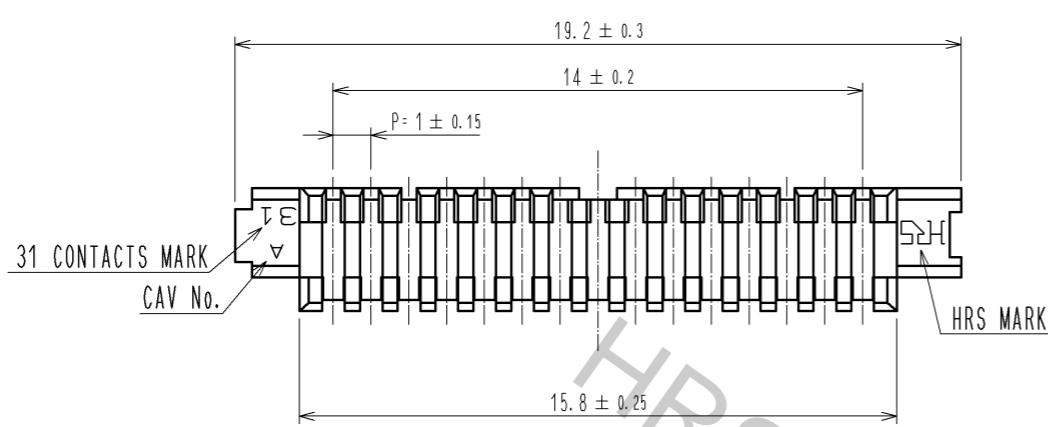


Feb.1.2017 Copyright 2017 HIROSE ELECTRIC CO., LTD. All Rights Reserved.



NOTES 1: SEE DRAWING OF CL540-0231-3 REGARDING HOW TO ASSEMBLE AND APPLICABLE CABLE.

NO.		MATERIAL		FINISH . REMARKS		1		POLYAMIDE		GRAY(NATURAL), UL94V-0			
UNITS		SCALE		COUNT		DESCRIPTION OF REVISIONS		DESIGNED		CHECKED		DATE	
mm		5 : 1		2		DIS-H-003468		TR. YUNOKI		TS. MIYAZAKI		08. 11. 11	
HIROSE ELECTRIC CO., LTD.		APPROVED : KJ. KATAYOSE		05. 01. 05		DRAWING NO.		EDC3-160592-00					
		CHECKED : KI. AKIYAMA		05. 01. 05		PART NO.		DF9M-31S-1R-PB					
		DESIGNED : TH. YAMAMOTO		05. 01. 05		CODE NO.		CL540-0233-9-00					
		DRAWN : TH. YAMAMOTO		05. 01. 05									