

DATA SHEET

SURFACE-MOUNT CERAMIC MULTILAYER CAPACITORS

General purpose & High capacitance

Class 2, Y5V

6.3 V TO 50 V

10 nF to 47 μ F

RoHS compliant & Halogen Free



SCOPE

This specification describes Y5V series chip capacitors with lead-free terminations.

APPLICATIONS

Consumer electronics, for example:

- Tuners
- Television receivers
- Video recorders
- All types of cameras
- Mobile telephones

FEATURES

Supplied in tape on reel
 Nickel-barrier end termination
 RoHS compliant
 Halogen Free compliant

ORDERING INFORMATION - GLOBAL PART NUMBER, PHYCOMP

CTC & I2NC

All part numbers are identified by the series, size, tolerance, TC material, packing style, voltage, process code, termination and capacitance value.

YAGEO BRAND ordering code

GLOBAL PART NUMBER (PREFERRED)

CC XXXX X X **Y5V** X **BB** XXX
 (1) (2) (3) (4) (5)

(1) SIZE – INCH BASED (METRIC)

- 0201 (0603)
- 0402 (1005)
- 0603 (1608)
- 0805 (2012)
- 1206 (3216)
- 1210 (3225)

(2) TOLERANCE

- M = ±20%
- Z = -20% to +80%

(3) PACKING STYLE

- R = Paper/PE taping reel; Reel 7 inch
- K = Blister taping reel; Reel 7 inch
- P = Paper/PE taping reel; Reel 13 inch
- F = Blister taping reel; Reel 13 inch

(4) RATED VOLTAGE

- 5 = 6.3 V
- 6 = 10 V
- 7 = 16 V
- 8 = 25 V
- 9 = 50 V

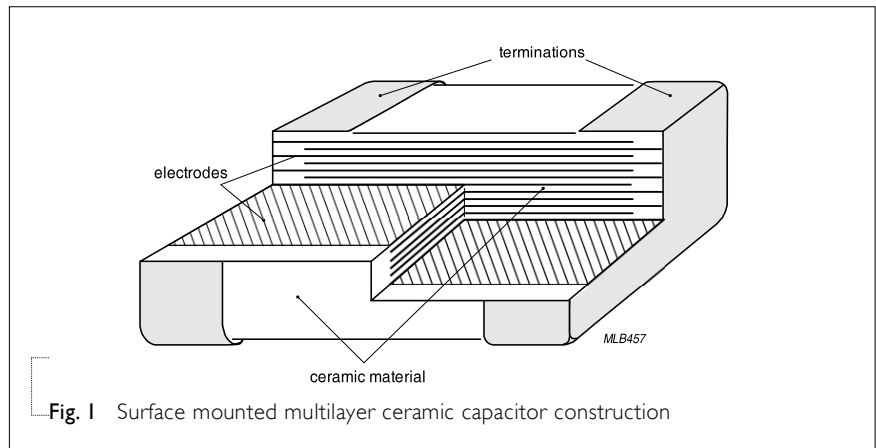
(5) CAPACITANCE VALUE

2 significant digits+number of zeros
 The 3rd digit signifies the multiplying factor, and letter R is decimal point
 Example: 103 = 10 × 10³ = 10,000 pF = 10 nF

CONSTRUCTION

The capacitor consists of a rectangular block of ceramic dielectric in which a number of interleaved metal electrodes are contained. This structure gives rise to a high capacitance per unit volume.

The inner electrodes are connected to the two end terminations and finally covered with a layer of plated tin (NiSn). The terminations are lead-free. A cross section of the structure is shown in Fig.1.



DIMENSION

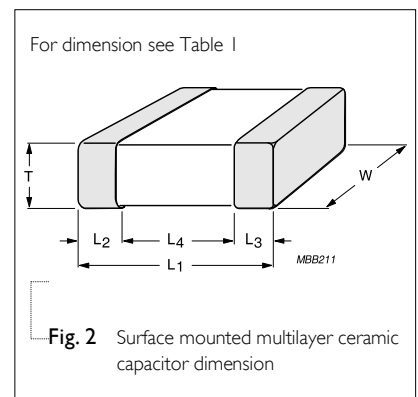
Table I For outlines see fig. 2

| TYPE | L ₁ (mm) | W (mm) | T (MM) | L ₂ / L ₃ (mm) | | L ₄ (mm) |
|------|--------------------------|---------------------------|--------------------------|--------------------------------------|------|---------------------|
| | | | | min. | max. | min. |
| 0201 | 0.6 ±0.03 | 0.3 ±0.03 | Refer to table 2 to 4 | 0.10 | 0.20 | 0.20 |
| 0402 | 1.0 ±0.05 | 0.5 ±0.05 | | 0.20 | 0.30 | 0.40 |
| 0603 | 1.6 ±0.10 | 0.8 ±0.10 | | 0.20 | 0.60 | 0.40 |
| 0805 | 2.0 ±0.10 ⁽¹⁾ | 1.25 ±0.10 ⁽¹⁾ | | 0.25 | 0.75 | 0.70 |
| | 2.0 ±0.20 ⁽²⁾ | 1.25 ±0.20 ⁽²⁾ | | | | |
| 1206 | 3.2 ±0.15 ⁽¹⁾ | 1.6 ±0.15 ⁽¹⁾ | | 0.25 | 0.75 | 1.40 |
| | 3.2 ±0.30 ⁽²⁾ | 1.6 ±0.20 ⁽²⁾ | | | | |
| 1210 | 3.2 ±0.20 ⁽¹⁾ | 2.5 ±0.20 ⁽¹⁾ | | 0.25 | 0.75 | 1.40 |
| | 3.2 ±0.40 ⁽²⁾ | 2.5 ±0.30 ⁽²⁾ | | | | |
| 1812 | 4.5 ±0.20 ⁽¹⁾ | 3.2 ±0.20 ⁽¹⁾ | | 0.25 | 0.75 | 2.20 |
| | 4.5 ±0.40 ⁽²⁾ | 3.2 ±0.40 ⁽²⁾ | | | | |

NOTE

1. Dimension for size 0805 to 1812, C ≤ 100 nF
2. Dimension for size 0805 to 1812, C > 100 nF

OUTLINES



CAPACITANCE RANGE & THICKNESS FOR Y5V
Table 2 Sizes from 0201 to 0402

| CAP. | 0201 | | 0402 | | | | |
|--------|----------|----------|----------|----------|----------|----------|----------|
| | 6.3 V | 25 V | 6.3 V | 10 V | 16 V | 25 V | 50 V |
| 10 nF | | 0.3±0.03 | | 0.5±0.05 | 0.5±0.05 | 0.5±0.05 | 0.5±0.05 |
| 22 nF | | | | 0.5±0.05 | 0.5±0.05 | 0.5±0.05 | |
| 47 nF | | | | 0.5±0.05 | 0.5±0.05 | 0.5±0.05 | |
| 100 nF | 0.3±0.03 | | 0.5±0.05 | 0.5±0.05 | 0.5±0.05 | 0.5±0.05 | |
| 220 nF | | | 0.5±0.05 | 0.5±0.05 | 0.5±0.05 | | |
| 470 nF | | | 0.5±0.05 | 0.5±0.05 | 0.5±0.05 | | |
| 1.0 µF | | | 0.5±0.05 | 0.5±0.05 | | | |
| 2.2 µF | | | | | | | |
| 4.7 µF | | | | | | | |
| 10 µF | | | | | | | |
| 22 µF | | | | | | | |
| 47 µF | | | | | | | |

Table 3 Sizes from 0603 to 0805

| CAP. | 0603 | | | | | 0805 | | | | |
|--------|---------|---------|---------|---------|---------|----------|----------|----------|----------|----------|
| | 6.3 V | 10 V | 16 V | 25 V | 50 V | 6.3 V | 10 V | 16 V | 25 V | 50 V |
| 10 nF | | | | 0.8±0.1 | 0.8±0.1 | | | | 0.6±0.1 | 0.6±0.1 |
| 22 nF | | | | 0.8±0.1 | 0.8±0.1 | | | | 0.6±0.1 | 0.6±0.1 |
| 47 nF | | | | 0.8±0.1 | 0.8±0.1 | | | | 0.6±0.1 | 0.6±0.1 |
| 100 nF | | | 0.8±0.1 | 0.8±0.1 | 0.8±0.1 | | | | 0.6±0.1 | 0.6±0.1 |
| 220 nF | | | 0.8±0.1 | 0.8±0.1 | | | | 0.6±0.1 | 0.85±0.1 | 0.85±0.1 |
| 470 nF | | | 0.8±0.1 | 0.8±0.1 | | | | 0.85±0.1 | 0.85±0.1 | 0.85±0.1 |
| 1.0 µF | 0.8±0.1 | 0.8±0.1 | 0.8±0.1 | | | | | 0.85±0.1 | 0.85±0.1 | 1.25±0.2 |
| 2.2 µF | 0.8±0.1 | 0.8±0.1 | 0.8±0.1 | | | 0.85±0.1 | 0.85±0.1 | 0.85±0.1 | 1.25±0.2 | |
| 4.7 µF | 0.8±0.1 | | | | | 0.85±0.1 | 0.85±0.1 | 1.25±0.2 | | |
| 10 µF | | | | | | 1.25±0.2 | 1.25±0.2 | | | |
| 22 µF | | | | | | 1.25±0.2 | 1.25±0.2 | | | |
| 47 µF | | | | | | | | | | |

NOTE

1. Values in shaded cells indicate thickness class in mm
2. Capacitance value of non E-3 series is on request

CAPACITANCE RANGE & THICKNESS FOR Y5V

Table 4 Sizes from 1206 to 1210

| CAP. | 1206 | | | | | 1210 | | | | |
|--------|----------|----------|----------|----------|----------|---------|---------|---------|---------|---------|
| | 6.3 V | 10 V | 16 V | 25 V | 50 V | 6.3 V | 10 V | 16 V | 25 V | 50V |
| 10 nF | | | | 0.6±0.1 | 0.6±0.1 | | | | | |
| 22 nF | | | | 0.6±0.1 | 0.6±0.1 | | | | | |
| 47 nF | | | | 0.6±0.1 | 0.6±0.1 | | | | | |
| 100 nF | | | | 0.6±0.1 | 0.6±0.1 | | | | | |
| 220 nF | | | | 0.6±0.1 | 0.6±0.1 | | | | | |
| 470 nF | | | | 0.85±0.1 | 0.85±0.1 | | | | | |
| 1.0 µF | | | | 0.85±0.1 | | | | | | |
| 2.2 µF | | 0.85±0.1 | 0.85±0.1 | 0.85±0.1 | | | | | | |
| 4.7 µF | | 0.85±0.1 | 0.85±0.1 | | | | | | | |
| 10 µF | 0.85±0.1 | 0.85±0.1 | 1.15±0.1 | 1.6±0.2 | | 1.5±0.1 | 1.5±0.1 | 1.5±0.1 | 1.5±0.1 | 1.5±0.1 |
| 22 µF | 1.6±0.2 | 1.6±0.2 | 1.6±0.2 | | | 1.6±0.2 | 1.6±0.2 | 1.6±0.2 | | |
| 47 µF | | | | | | | | | | |

NOTE

1. Values in shaded cells indicate thickness class in mm
2. Capacitance value of non E-3 series is on request

THICKNESS CLASSES AND PACKING QUANTITY

Table 5

| SIZE CODE | THICKNESS CLASSIFICATION | TAPE WIDTH QUANTITY PER REEL | Ø180 MM / 7 INCH | | Ø330 MM / 13 INCH | | QUANTITY PER BULK CASE |
|-------------|--------------------------|---------------------------------|------------------|---------|-------------------|---------|------------------------|
| | | | Paper | Blister | Paper | Blister | |
| 0201 | 0.3 ±0.03 mm | 8 mm | 15,000 | --- | 50,000 | --- | --- |
| 0402 | 0.5 ±0.05 mm | 8 mm | 10,000 | --- | 50,000 | --- | 50,000 |
| 0603 | 0.8 ±0.1 mm | 8 mm | 4,000 | --- | 15,000 | --- | 15,000 |
| 0805 | 0.6 ±0.1 mm | 8 mm | 4,000 | --- | 20,000 | --- | 10,000 |
| | 0.85 ±0.1 mm | 8 mm | 4,000 | --- | 15,000 | --- | 8,000 |
| | 1.25 ±0.2 mm | 8 mm | --- | 3,000 | --- | 10,000 | 5,000 |
| 1206 | 0.6 ±0.1 mm | 8 mm | 4,000 | --- | 20,000 | --- | --- |
| | 0.85 ±0.1 mm | 8 mm | 4,000 | --- | 15,000 | --- | --- |
| | 1.00 / 1.15 ±0.1 mm | 8 mm | --- | 3,000 | --- | 10,000 | --- |
| | 1.25 ±0.2 mm | 8 mm | --- | 3,000 | --- | 10,000 | --- |
| | 1.6 ±0.15 mm | 8 mm | --- | 2,500 | --- | 10,000 | --- |
| 1210 | 1.6 ±0.2 mm | 8 mm | --- | 2,000 | --- | 10,000 | --- |
| | 0.6 / 0.7 ±0.1 mm | 8 mm | --- | 4,000 | --- | 15,000 | --- |
| | 0.85 ±0.1 mm | 8 mm | --- | 4,000 | --- | 10,000 | --- |
| | 1.15 ±0.1 mm | 8 mm | --- | 3,000 | --- | 10,000 | --- |
| | 1.15 ±0.15 mm | 8 mm | --- | 3,000 | --- | 10,000 | --- |
| | 1.25 ±0.2 mm | 8 mm | --- | 3,000 | --- | --- | --- |
| | 1.5 ±0.1 mm | 8 mm | --- | 2,000 | --- | --- | --- |
| | 1.6 / 1.9 ±0.2 mm | 8 mm | --- | 2,000 | --- | --- | --- |
| 2.0 ±0.2 mm | 8 mm | --- | 2,000 | --- | --- | --- | --- |
| | 8 mm | --- | 1,000 | --- | --- | --- | --- |
| 2.5 ±0.2 mm | 8 mm | --- | 1,000 | --- | --- | --- | --- |
| | 8 mm | --- | 500 | --- | --- | --- | --- |

ELECTRICAL CHARACTERISTICS

Y5V DIELECTRIC CAPACITORS; NISN TERMINATIONS

Unless otherwise specified, all test and measurements shall be made under standard atmospheric conditions for testing as given in 5.3 of IEC 60068-1:

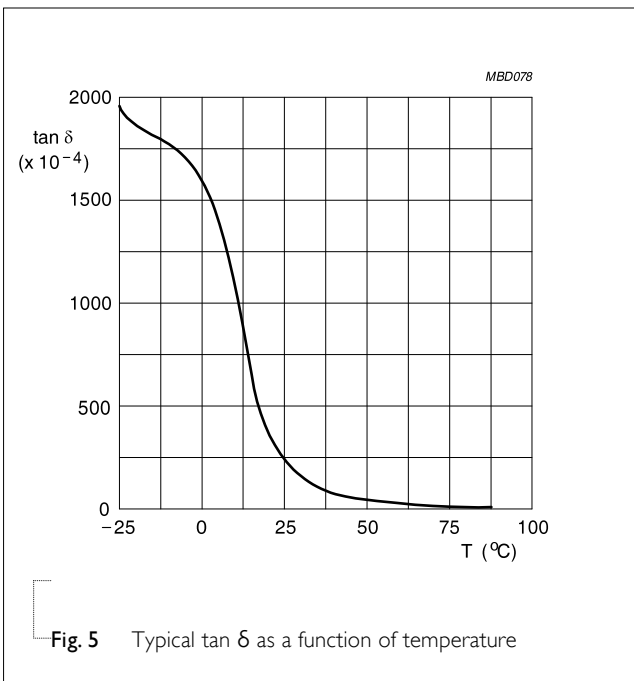
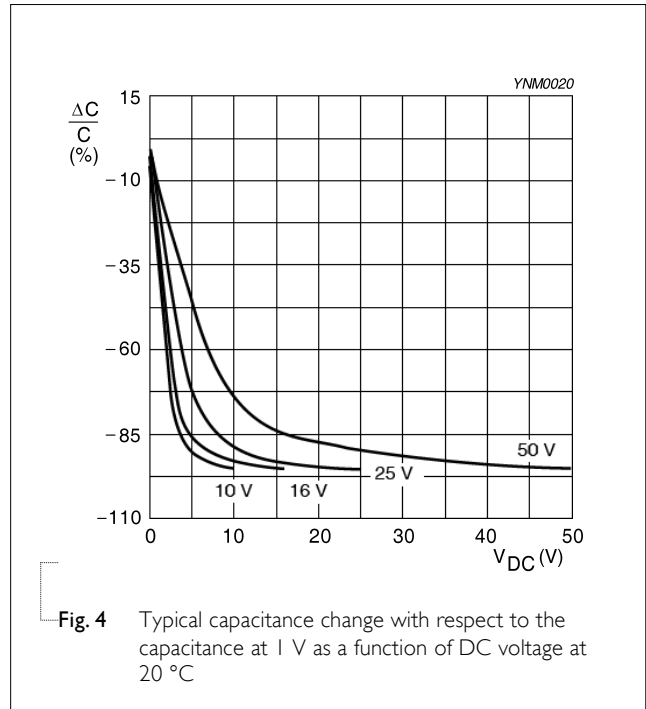
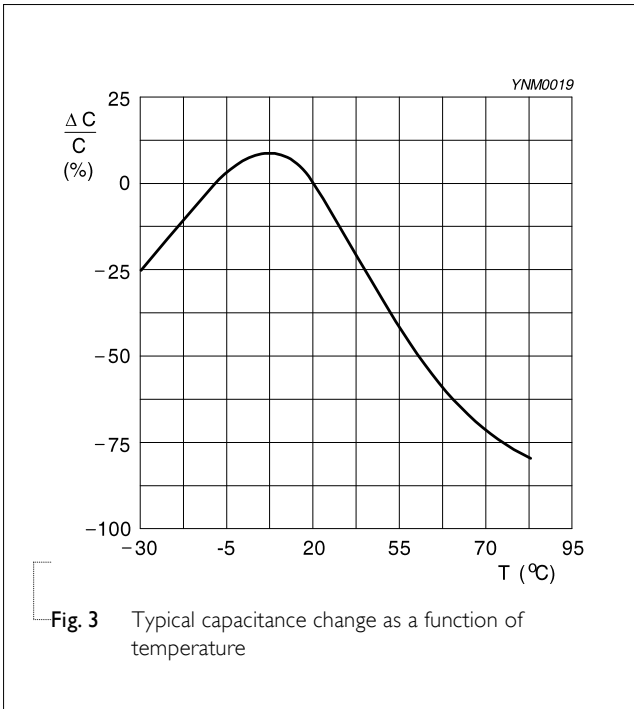
- Temperature: 15 °C to 35 °C
- Relative humidity: 25% to 75%
- Air pressure: 86 kPa to 106 kPa

Before the measurements are made, the capacitor shall be stored at the measuring temperature for a time sufficient to allow the entire capacitor to reach this temperature.

The period as prescribed for recovery at the end of a test is normally sufficient for this purpose.

Table 6

| DESCRIPTION | VALUE |
|---|--|
| Capacitance range | 10 nF to 22 µF |
| Capacitance tolerance | ±20% -20% to +80% |
| Dissipation factor (D.F.) | |
| ≤ 6.3 V | ≤ 15% |
| Exception: 0805 ≥ 22 µF | ≤ 20% |
| 10 V | ≤ 12.5% |
| Exception: 0402 ≥ 680 nF; 0603 ≥ 2.2 µF; | ≤ 15% |
| 0805 ≥ 10 µF; 1206 ≥ 10 µF | ≤ 20% |
| 16 V | ≤ 12.5% |
| Exception: 0603 ≥ 4.7 µF | ≤ 15% |
| ≥ 25 V | ≤ 9% |
| Exception: 0201 ≥ 10 nF | ≤ 12.5% |
| Insulation resistance after 1 minute at U_r (DC) | $R_{ins} \geq 10 \text{ G}\Omega$ or $R_{ins} \times C_r \geq 500$ seconds whichever is less |
| Maximum capacitance change as a function of temperature (temperature characteristic/coefficient): | +22% to -82% |
| Operating temperature range: | -30 °C to +85 °C |



SOLDERING RECOMMENDATION

Table 7

| SOLDERING METHOD | SIZE | | | | | |
|------------------|-------------|----------|----------|----------|----------|-------------|
| | 0201 | 0402 | 0603 | 0805 | 1206 | ≥ 1210 |
| Reflow | Reflow only | > 100 nF | > 1.0 μF | > 2.2 μF | > 2.2 μF | Reflow only |
| Reflow/Wave | | ≤ 100 nF | ≤ 1.0 μF | ≤ 2.2 μF | ≤ 2.2 μF | --- |

TESTS AND REQUIREMENTS
Table 8 Test procedures and requirements

| TEST | TEST METHOD | PROCEDURE | REQUIREMENTS |
|--|---------------------|---|---|
| Mounting | IEC 60384-21/22 4.3 | The capacitors may be mounted on printed-circuit boards or ceramic substrates | No visible damage |
| Visual inspection and dimension check | 4.4 | Any applicable method using $\times 10$ magnification | In accordance with specification |
| Capacitance ⁽¹⁾ | 4.5.1 | Class 2: At 20 °C, 24 hrs after annealing f = 1 KHz for C \leq 10 μ F, rated voltage > 6.3 V, measuring at voltage 1 V _{rms} at 20 °C f = 1 KHz, for C \leq 10 μ F, rated voltage \leq 6.3 V, measuring at voltage 0.5 V _{rms} at 20 °C f = 120 Hz for C > 10 μ F, measuring at voltage 0.5 V _{rms} at 20 °C | Within specified tolerance |
| Dissipation factor (D.F.) ⁽¹⁾ | 4.5.2 | Class 2: At 20 °C, 24 hrs after annealing f = 1 KHz for C \leq 10 μ F, rated voltage > 6.3 V, measuring at voltage 1 V _{rms} at 20 °C f = 1 KHz, for C \leq 10 μ F, rated voltage \leq 6.3 V, measuring at voltage 0.5 V _{rms} at 20 °C f = 120 Hz for C > 10 μ F, measuring at voltage 0.5 V _{rms} at 20 °C | In accordance with specification |
| Insulation resistance | 4.5.3 | At U _r (DC) for 1 minute | In accordance with specification |
| Temperature characteristic | 4.6 | Class 2: Between minimum and maximum temperature Y5V: -30 °C to +85 °C Normal Temperature: 20 °C | <General purpose series> Δ C/C Class 2: Y5V: 22% to -82% <High Capacitance series> Δ C/C Class 2: Y5V: 22% to -82% |
| Adhesion | 4.7 | A force applied for 10 seconds to the line joining the terminations and in a plane parallel to the substrate | Force size \geq 0603: 5N size = 0402: 2.5N size = 0201: 1N |

NOTE:

1. For individual product specification, please contact local sales.

| TEST | TEST METHOD | PROCEDURE | REQUIREMENTS |
|------------------------------|-----------------|---|--|
| Bending strength | IEC 60384-21/22 | 4.8 Mounting in accordance with IEC 60384-22 paragraph 4.3 | No visible damage |
| | | Conditions: bending 1 mm at a rate of 1 mm/s, radius jig 5 mm | <p><General purpose series></p> <p>$\Delta C/C$</p> <p>Class2:</p> <p>Y5V: $\pm 10\%$</p> <p><High Capacitance series></p> <p>$\Delta C/C$</p> <p>Class2:</p> <p>Y5V: $\pm 10\%$</p> |
| Resistance to soldering heat | 4.9 | Precondition: 150 ± 10 °C for 1 hour, then keep for 24 ± 1 hours at room temperature | Dissolution of the end face plating shall not exceed 25% of the length of the edge concerned |
| | | Preheating: for size ≤ 1206 : 120 °C to 150 °C for 1 minute Preheating: for size > 1206 : 100 °C to 120 °C for 1 minute and 170 °C to 200 °C for 1 minute Solder bath temperature: 260 ± 5 °C Dipping time: 10 ± 0.5 seconds Recovery time: 24 ± 2 hours | |
| | | | <p><General purpose series></p> <p>$\Delta C/C$</p> <p>Class2:</p> <p>Y5V: $\pm 20\%$</p> <p><High Capacitance series></p> <p>$\Delta C/C$</p> <p>Class2:</p> <p>Y5V: $\pm 20\%$</p> |
| | | | <p>D.F. within initial specified value</p> <p>R_{ins} within initial specified value</p> |
| Solderability | 4.10 | Preheated the temperature of 80 °C to 140 °C and maintained for 30 seconds to 60 seconds. 1. Temperature: 235 ± 5 °C / Dipping time: 2 ± 0.5 s 2. Temperature: 245 ± 5 °C / Dipping time: 3 ± 0.5 s (lead free) Depth of immersion: 10mm | The solder should cover over 95% of the critical area of each termination |

| TEST | TEST METHOD | PROCEDURE | REQUIREMENTS |
|-----------------------------|-----------------|---|--|
| Rapid change of temperature | IEC 60384-21/22 | 4.11 Preconditioning; 150 +0/-10 °C for 1 hour, then keep for 24 ±1 hours at room temperature 5 cycles with following detail: 30 minutes at lower category temperature 30 minutes at upper category temperature Recovery time 24 ±2 hours | No visual damage <hr/> <General purpose series> $\Delta C/C$ Class2: Y5V: ±20% <High Capacitance series> $\Delta C/C$ Class2: Y5V: ±20% <hr/> D.F. meet initial specified value R_{ins} meet initial specified value |
| Damp heat with U_r load | 4.13 | 1. Preconditioning, class 2 only: 150 +0/-10 °C /1 hour, then keep for 24 ±1 hour at room temp 2. Initial measure: Spec: refer initial spec C, D, IR 3. Damp heat test: 500 ±12 hours at 40 ±2 °C; 90 to 95% R.H. 1.0 U_r applied 4. Recovery: Class 2: 24 ±2 hours 5. Final measure: C, D, IR P.S. If the capacitance value is less than the minimum value permitted, then after the other measurements have been made the capacitor shall be precondition according to "IEC 60384 4.1" and then the requirement shall be met. | No visual damage after recovery <hr/> <General purpose series> $\Delta C/C$ Class2: Y5V: ±30% D.F. Class2: Y5V: ≤ 15% R_{ins} Class2: Y5V: ≥ 500 MΩ or $R_{ins} \times C_r \geq 25s$ whichever is less <High Capacitance series> $\Delta C/C$ Class2: Y5V: ±30% D.F. Class2: Y5V: 2 × initial value max R_{ins} Class2: Y5V: 500 MΩ or $R_{ins} \times C_r \geq 25s$ whichever is less |

| TEST | TEST METHOD | PROCEDURE | REQUIREMENTS |
|-----------|----------------------|--|--|
| Endurance | IEC 60384-21/22 4.14 | 1. Preconditioning, class 2 only: 150 +/-10 °C /1 hour, then keep for 24 ±1 hour at room temp 2. Initial measure: Spec: refer initial spec C, D, IR 3. Endurance test: Temperature: Y5V: 85 °C Specified stress voltage applied for 1,000 hours: Applied 2.0 × U _r for general product. Applied 1.5 × U _r for high cap. product. 4. Recovery time: 24 ±2 hours 5. Final measure: C, D, IR P.S. If the capacitance value is less than the minimum value permitted, then after the other measurements have been made the capacitor shall be precondition according to "IEC 60384 4.1" and then the requirement shall be met. | No visual damage <hr/> <General purpose series> ΔC/C Class2: Y5V: ±30% D.F. Class2: Y5V: ≤ 15% R _{ins} Class2: Y5V: ≥ 1,000 MΩ or R _{ins} × C _r ≥ 50s whichever is less <High Capacitance series> ΔC/C Class 2: Y5V: ±30% D.F. Class 2: Y5V: 2 × initial value max R _{ins} Class 2: Y5V: 1,000 MΩ or R _{ins} × C _r ≥ 50s whichever is less |
| | | Voltage proof IEC 60384-1 4.6 Specified stress voltage applied for 1~5 seconds U _r ≤ 100 V: series applied 2.5 U _r Charge/Discharge current is less than 50 mA | No breakdown or flashover |

REVISION HISTORY

| REVISION | DATE | CHANGE NOTIFICATION | DESCRIPTION |
|-----------|---------------|---------------------|--|
| Version 8 | Mar. 7, 2017 | - | - 0805 L4 spec updated |
| Version 7 | Dec. 9, 2016 | - | - Soldering recommendation update |
| Version 6 | Jan. 12, 2016 | - | - Update capacitance range & thickness |
| Version 5 | Jul 29, 2010 | - | - Modify the last 2-digit of I2NC |
| Version 4 | Jun 24, 2010 | - | - Dimension on I206 case size updated |
| Version 3 | Apr 22, 2010 | - | - Dimension updated |
| Version 2 | Feb 04, 2010 | - | - The statement of "Halogen Free" on the cover added |
| Version 1 | Nov 04, 2009 | - | - Ordering code updated - Dimension updated |
| Version 0 | Apr 15, 2009 | - | - New datasheet for general purpose and high capacitance Y5V series with RoHS compliant - Replace the "6.3V to 50V" part of pdf files: Y5V_6.3V_10V_9_Preliminary, Y5V_10V-to-50V_10_Preliminary, Y5V_16V_25V_50V_11 - Combine 0201 from pdf files: UP-NPOX5RX7RY5V_0201_6.3-to-50V_2 and UY-NPOX5RX7RY5V_0201_6.3-to-50V_2 - Define global part number - Description of "Halogen Free compliant" added - Test method and procedure updated |