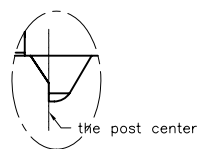
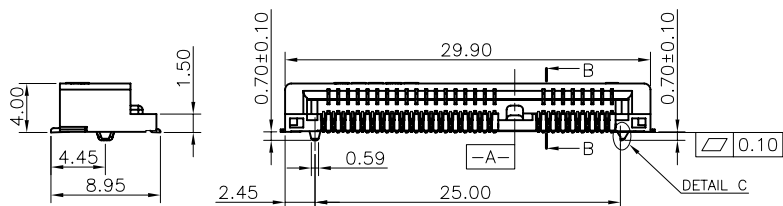
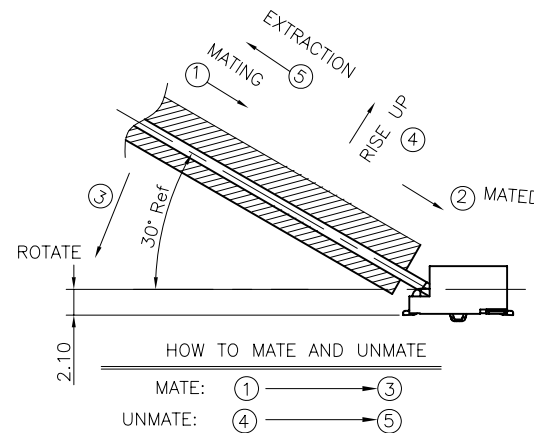
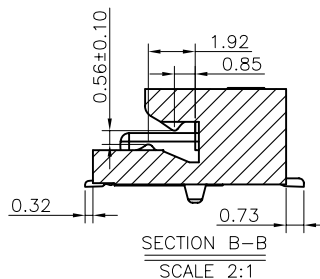
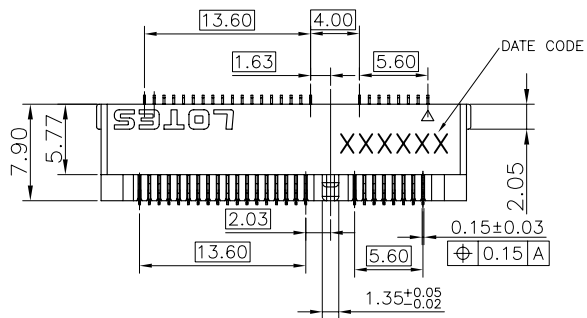
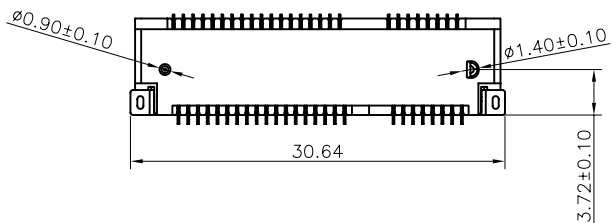


REV.	ECR/N NO./DESCRIPTION	DATE	DRAWN	CHECKED	APPROVE
9E	SR12***	01/08'13	Tracy	Raymond	Barney
9F	SR13***	02/21'13	Tracy	Raymond	Barney
9G	SR13***	04/17'13	Tracy	Raymond	Barney



DETAIL C
SCALE 5:1



TABLE

NO.	PART NO.	DESCRIPTION
7	AAA-PCI-049-P08	WHITE, GOLD FLASH 1u" MIN, HF
6	AAA-PCI-049-P07	BLACK, Au 15u", HF
5	AAA-PCI-049-P06/P06_A	BLACK, Au 10u" HF
4	AAA-PCI-049-P01/P01_A	BLACK, GOLD FLASH 1u" MIN, HF
3	AAA-PCI-049-K06	BLACK, Au 10u"
1	AAA-PCI-049-K01/K01_A	BLACK, GOLD FLASH 1u" MIN

GENERAL TOLERANCES UNLESS SPECIFIED		PART NO. SEE TABLE	LOTES						
X ± 0.35	X.° ± 3°								
.XX ± 0.25	.X.° ± 2°								
.XXX ± 0.15	.XX.° ± 1°	APPROVED BY Barney	TITLE MINI PCI EXPRESS 4.0H 0.8PITCH 52P						
CUSTOMER DRAWING		CHECKED BY Raymond	DWG NO. AP-AAA-PCI-049						
SIZE A4	UNITS MM [INCH]	DRAWN BY XU	<table border="1"> <tr> <th>SHEET</th> <th>SCALE</th> <th>REV</th> </tr> <tr> <td>1 / 6</td> <td>5 : 3</td> <td>9G</td> </tr> </table>	SHEET	SCALE	REV	1 / 6	5 : 3	9G
SHEET	SCALE	REV							
1 / 6	5 : 3	9G							

1 2 3 4 5 6 7 8

F

F

NOTES:

1.MATERIAL:

- 1).HOUSING: LCP BLACK OR WHITE UL94V-0.
- 2).CONTACT: BRASS.
- 3).PADS: BRASS .

2.FINISH:

2.1 CONTACTS:

- 1).50u"MIN Ni UNDER PLATED OVER ALL.
- 2).Au PLATING ON CONTACT AREA (SEE TABLE), AND ON SOLDER AREA

2.2 PADS:

- 1).60u"MIN Ni UNDER PLATED OVER ALL.
- 2).MATTE-Tin 100u"MIN ON SOLDER AREA.

3.MECHANICAL PERFORMANCE,

DURABILITY:50 CYCLES

MATING & UNMATING FORCE: 2.3 Kgf MAX.

4.ELECTRICAL PERFORMANCE,

4-1.VOLTAGE RATING: 50 V AC PER CONTACT.

CURRENT RATING: 0.5 A.

4-2.LLCR:INITIAL 55mΩ MAX PER CONTACT..

FINAL 20mΩ MAX

4-3.INSULATION RESISTANCE:

500MΩ MIN

4-4.DIELECRIC WITHSTAND VOLTAGE:

AC 300V FOR 1 MINUTE BETWEEN ADJACENT CONTACTS.

NO BREAKDOWN OR FLASH.

CURRENT LEAKAGE:1mA.

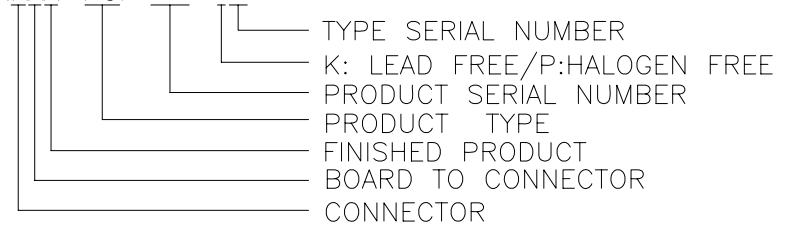
5. IR REFLOW:

THE PEAK TEMPRATURE ON THE BOARD SHALL BE MAINTAINED FOR 10 SECONDS AT 250±10°C.

6. DC: XXXXXX



7. PRODUCT NO:AAA-PCI-***-***



E

E

D

D

C

C

B

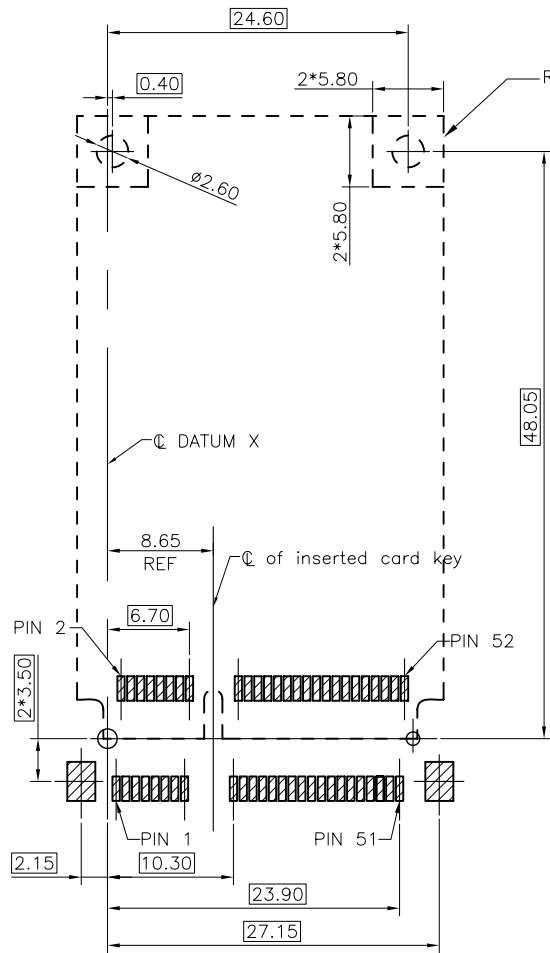
B

A

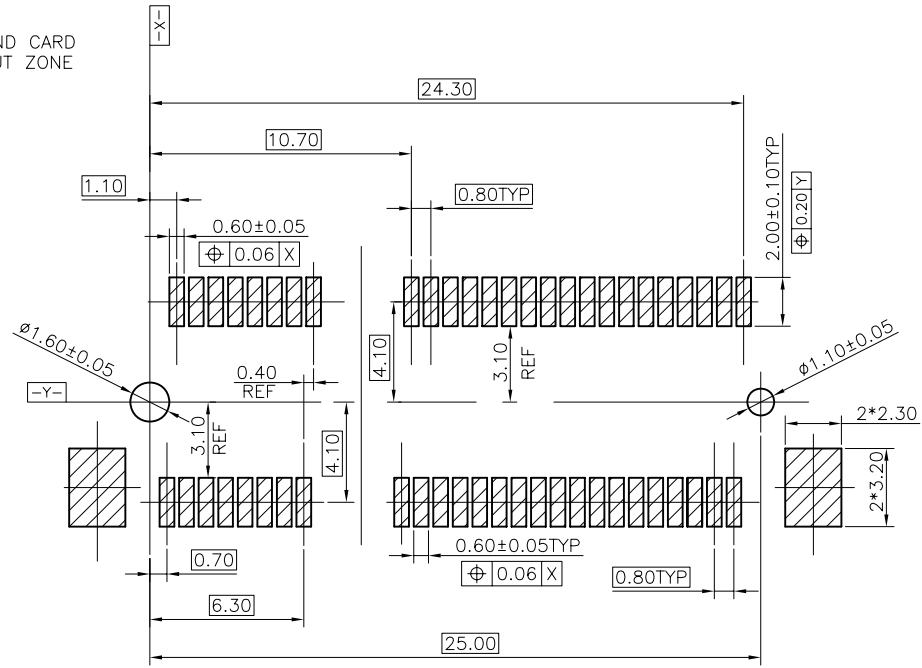
A

1 2 3 4 5 6 7 8

GENERAL TOLERANCES UNLESS SPECIFIED		PART NO. SEE TABLE	LOTES			
X ± 0.35	X° ± 3°					
.XX ± 0.25	X° ± 2°	APPROVED BY Barney	TITLE MINI PCIEXPRESS 4.0H 0.8PITCH 52P			
.XXX ± 0.15	.XX° ± 1°	CHECKED BY Raymond	DWG NO. AP-AAA-PCI-049			
CUSTOMER DRAWING		DRAWN BY XU		SHEET 2 / 6	SCALE 5 : 2	REV 9G
SIZE A4	UNITS MM[INCH]					

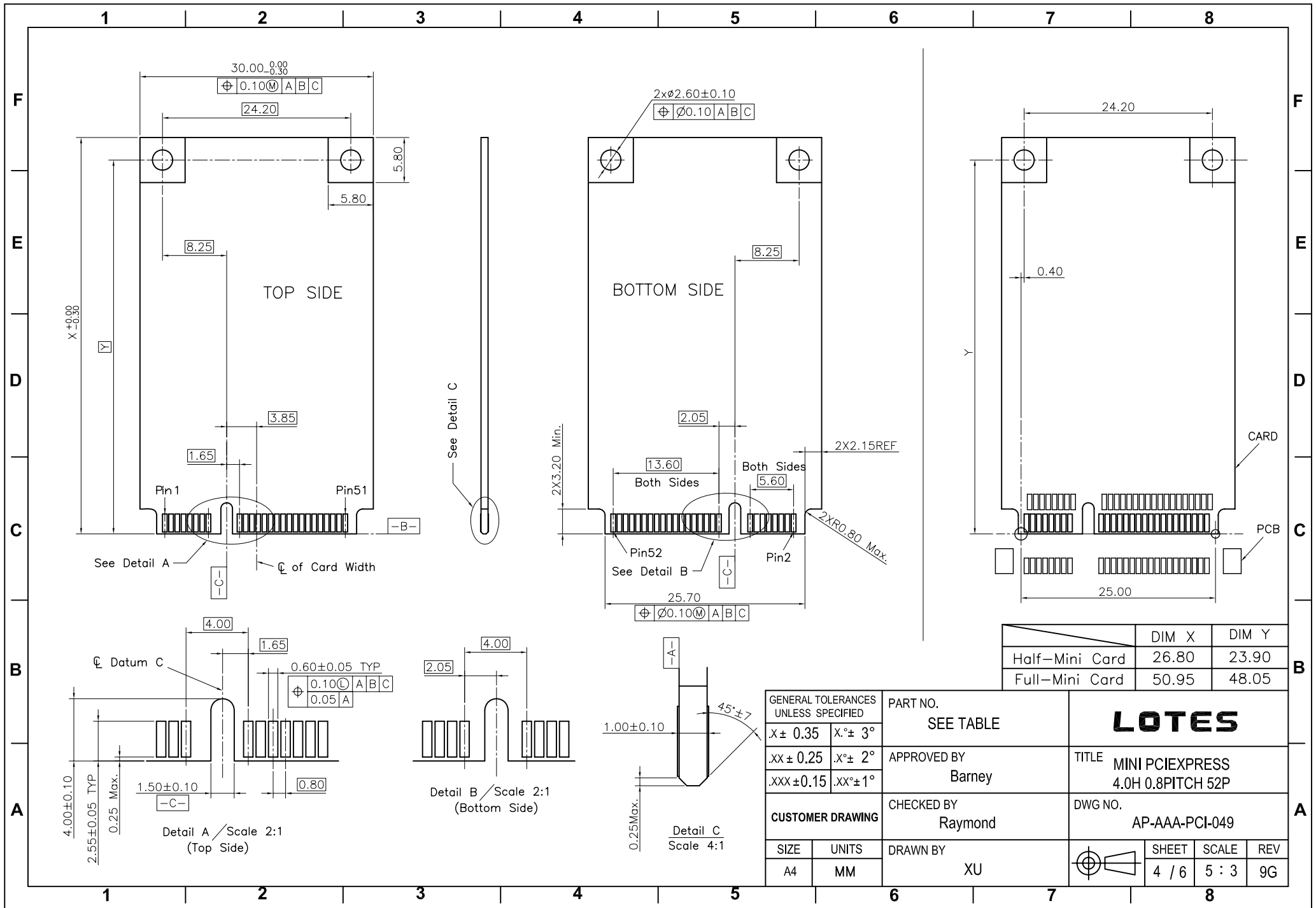


RECOMMENDED PCB LAYOUT
GENERAL TOLERANCE ±0.05mm



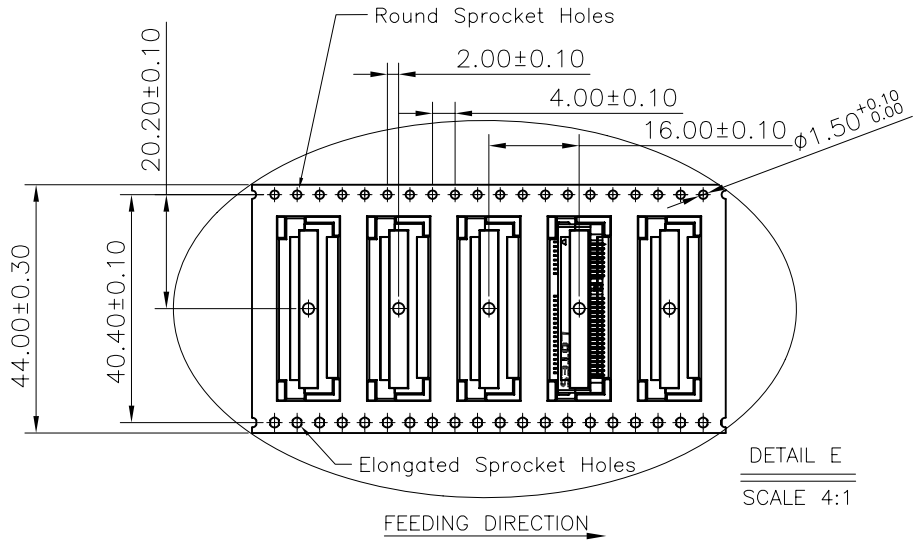
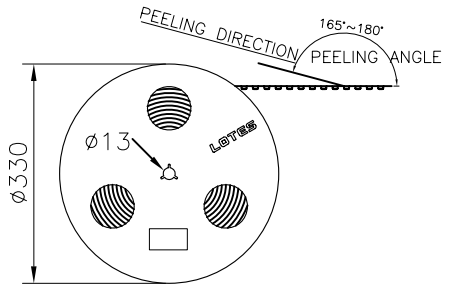
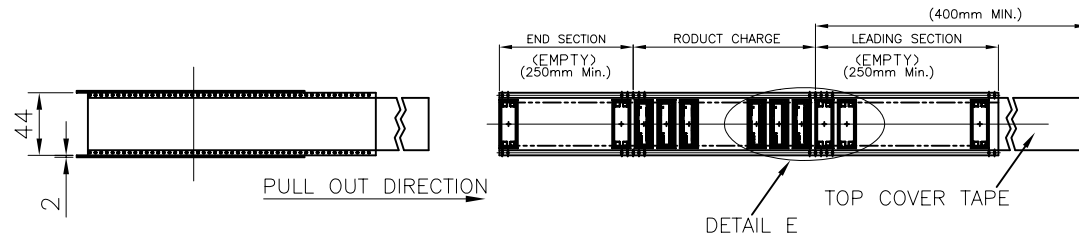
SCALE 2:1
GENERAL TOLERANCE ±0.05mm

GENERAL TOLERANCES UNLESS SPECIFIED		PART NO. SEE TABLE	LOTES		
X ± 0.35	X° ± 3°				
.XX ± 0.25	.X° ± 2°	APPROVED BY Barney	TITLE MINI PCI EXPRESS 4.0H 0.8PITCH 52P		
.XXX ± 0.15	.XX° ± 1°	CHECKED BY Raymond	DWG NO. AP-AAA-PCI-049		
CUSTOMER DRAWING		DRAWN BY XU	SHEET 3 / 6	SCALE 5 : 3	REV 9G
SIZE A4	UNITS MM [INCH]				



	DIM X	DIM Y
Half-Mini Card	26.80	23.90
Full-Mini Card	50.95	48.05

GENERAL TOLERANCES UNLESS SPECIFIED		PART NO. SEE TABLE	LOTES
X ± 0.35	X° ± 3°		
.XX ± 0.25	.X° ± 2°	APPROVED BY Barney	TITLE MINI PCI EXPRESS 4.0H 0.8PITCH 52P
.XXX ± 0.15	.XX° ± 1°	CHECKED BY Raymond	DWG NO. AP-AAA-PCI-049
CUSTOMER DRAWING		DRAWN BY XU	SHEET 4 / 6
SIZE A4	UNITS MM		SCALE 5 : 3
			REV 9G

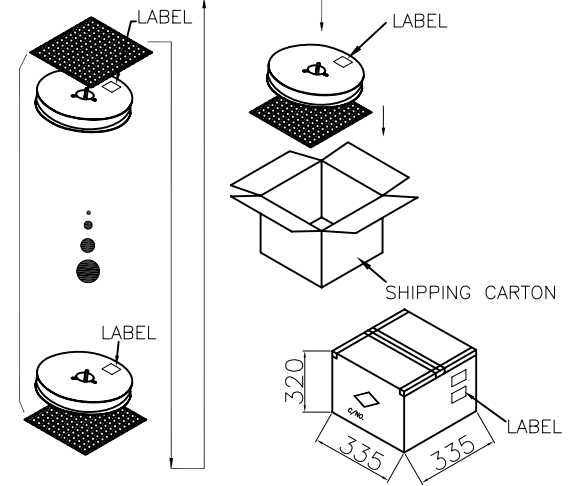


DETAIL E
SCALE 4:1

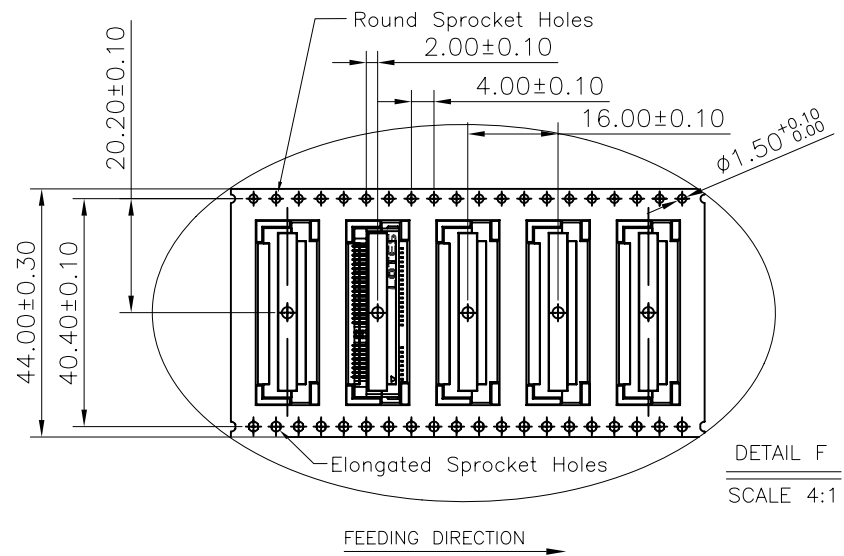
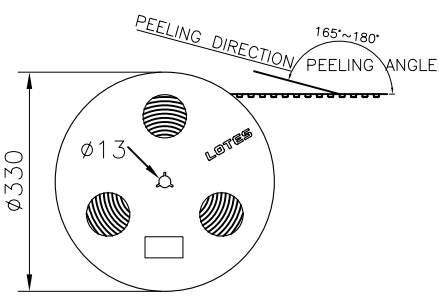
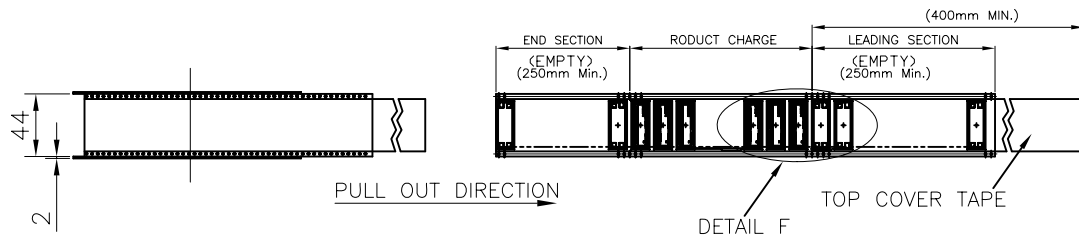
AAA-PCI-049-K06/P07/P08/P06/K01/P01

NOTES:

1. MATERIAL :
 - 1.1 CARRY TAPE: PS
 - 1.2 COVER TAPE: PET
 - 1.3 SHIPPING CARTON: CORRUGATED FIBER
2. DIMENSION :
 - 2.1 REEL: W=44.5, $\phi A=330$
 - 2.2 SHIPPING CARTON: L=335, W=335, H=300 (INNER)
3. QUANTITY :
 - 3.1 PRIMARY PACKING: 700 PCS/REEL
 - 3.2 SECONDARY PACKING: 6 REELS/CARTON(4200PCS)
4. WEIGHT :
 - 4.1 NET WEIGHT:4.956Kg/CARTON.
 - 4.2 GROSS WEIGUT:8.892Kg/CARTON.
5. PEELING RESISTANCE: 20gf~120gf.
6. PEELING SPEED: 300mm/minutes.



GENERAL TOLERANCES UNLESS SPECIFIED		PART NO. SEE TABLE	LOTES				
X± 0.35	X.°± 3°						APPROVED BY Barney
.XX ± 0.25	.X°± 2°		CHECKED BY Raymond		DWG NO. AP-AAA-PCI-049		
.XXX ± 0.15	.XX°± 1°	CUSTOMER DRAWING		DRAWN BY XU		SHEET 5 / 6	
SIZE A4	UNITS MM[INCH]			SCALE N/A		REV 9G	

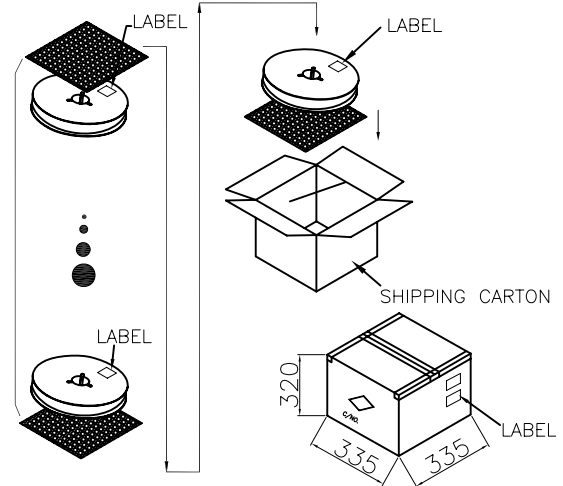


DETAIL F
SCALE 4:1

AAA-PCI-049-K01_A/P06_A/P01_A

NOTES:

1. MATERIAL :
 - 1.1 CARRY TAPE: PS
 - 1.2 COVER TAPE: PET
 - 1.3 SHIPPING CARTON: CORRUGATED FIBER
2. DIMENSION :
 - 2.1 REEL: W=44.5, φA=330
 - 2.2 SHIPPING CARTON: L=335, W=335, H=300 (INNER)
3. QUANTITY :
 - 3.1 PRIMARY PACKING: 700 PCS/REEL
 - 3.2 SECONDARY PACKING: 6 REELS/CARTON(4200PCS)
4. WEIGHT :
 - 4.1 NET WEIGHT:4.956Kg/CARTON.
 - 4.2 GROSS WEIGUT:8.892Kg/CARTON.
5. PEELING RESISTANCE: 20gf~120gf.
6. PEELING SPEED: 300mm/minutes.



GENERAL TOLERANCES UNLESS SPECIFIED		PART NO. SEE TABLE	LOTES							
X± 0.35	X.°± 3°						APPROVED BY Barney		TITLE MINI PCIEXPRESS 4.0H 0.8PITCH 52P	
.XX ± 0.25	.X°± 2°									
.XXX ± 0.15	.XX°± 1°	CHECKED BY Raymond		DWG NO. AP-AAA-PCI-049						
CUSTOMER DRAWING		DRAWN BY XU		SHEET 6 / 6	SCALE N/A	REV 9G				
SIZE A4	UNITS MM[INCH]									