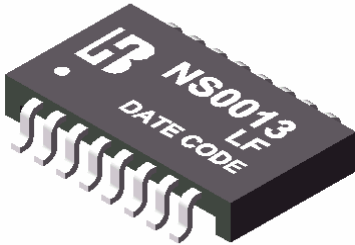


**Feature**

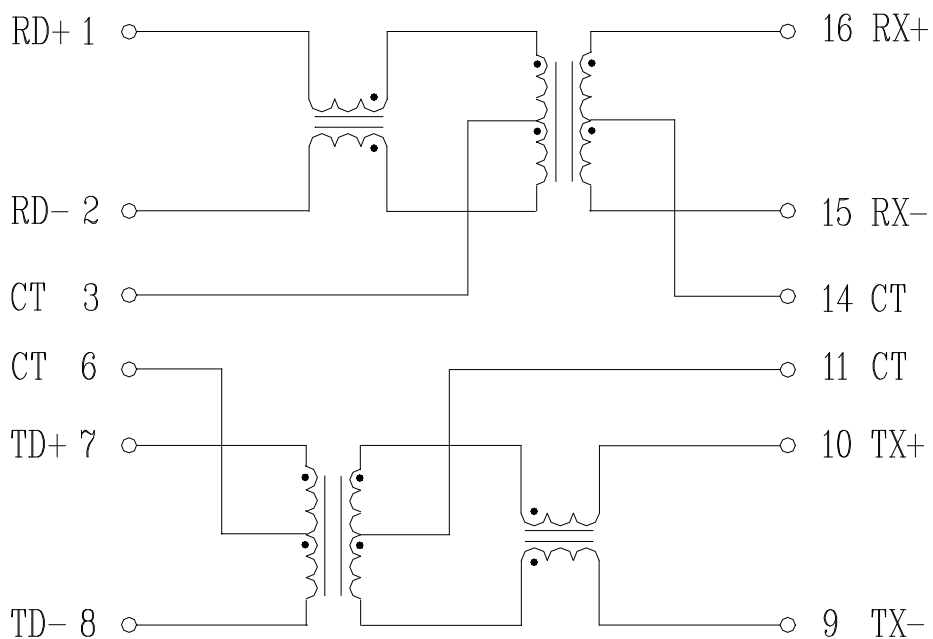


- Half port and single port designs for maximum layout flexibility.
- Low profile packages from 0.094 Inch(2.39mm) to 0.078 Inch(1.98mm) for PC card and card bus applications .
- Complying with ROHS & Halogen Free requirements.
- Operating temperature range: 0°C to +70°C.
- Storage temperature range: -25°C to +85°C.

Electrical Specifications @ 25°C								
Part Number	Turns Ratio (±3%)		OCL (uH Min) @100KHz/0.1V Pin(16-15/7-8)	Cw/w (pF Max)	L.L (uH Max)	DCR (Ω Max)		HI-POT (Vrms)
	TX	RX				Pin(16-15/7-8)		
NS0013 LF	1CT:1CT	1CT:1CT	350	15	0.4	0.9		1500

Continue								
Part Number	Insertion Loss (dB Max)	Return Loss (dB Min)				Cross talk (dB Min)	DCMR (dB Min)	
		0.3-30MHz	40MHz	50MHz	60-80MHz		0.3-60MHz	60-100MHz
NS0013 LF	-1.1	-18	-15.5	-13.5	-10	-38	-33	-26

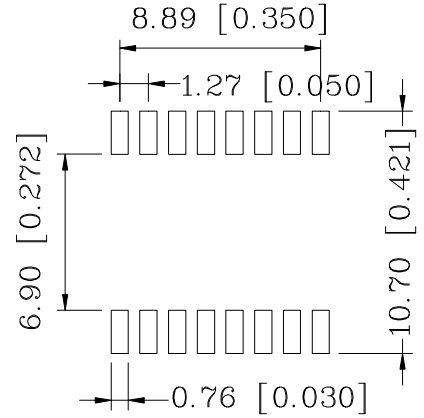
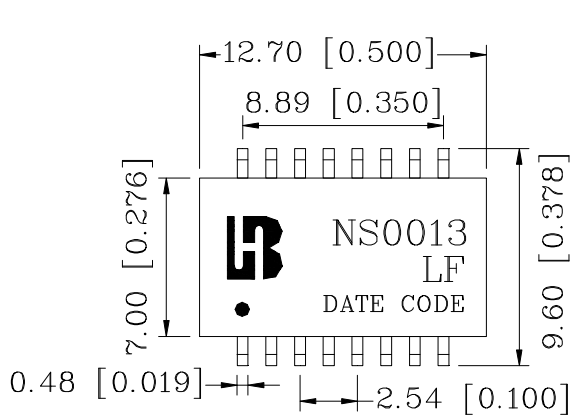
**Schematic**



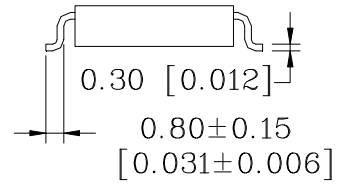
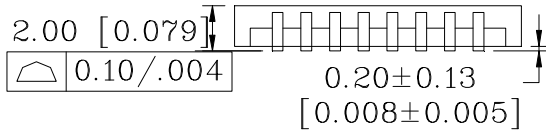
**10/100 PC CARD LAN MAGNETICS  
SOLUTIONS  
P/N: NS0013 LF DATA SHEET**



**Mechanical**



SUGGESTED PAD LAYOUT



Units: mm[Inches] Tolerances: xx.x0±0.25[0.010]  
0.xx±0.05[0.002]