

10 9 8 7 6 5 4 3 2 1

F

F

E

E

D

D

C

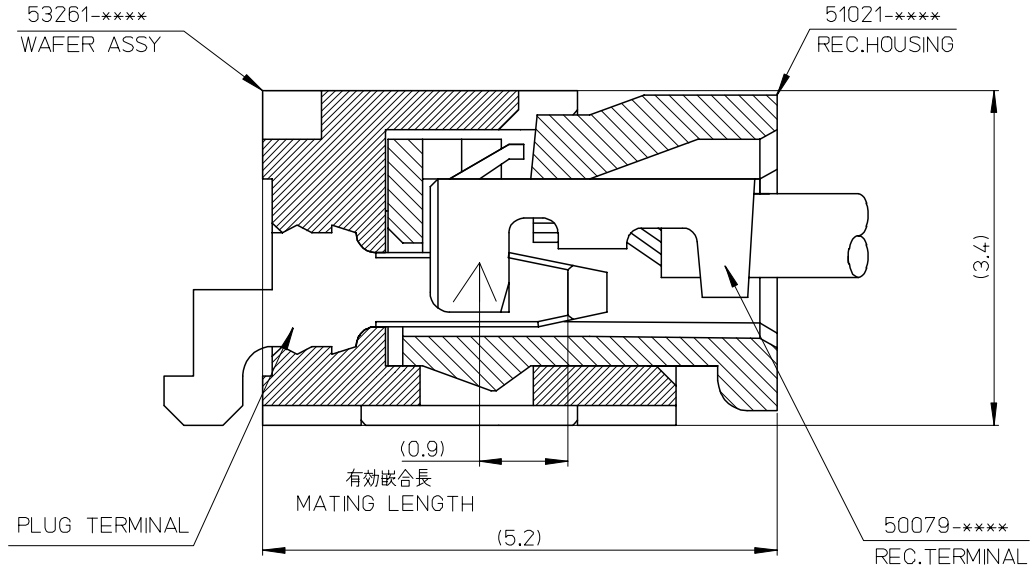
C

B

B

A

A



53261-****	WAFER ASSY	MODEL NO./MATERIAL NO.
50079-****	TERMINAL	
51021-****	HOUSING	

RELEASED EC NO: J2006-2426 DRWN: A0YAGI 2006/02/02 CHKD: YMAEDA 2006/02/03 APPR: NUKITA 2006/02/07	GENERAL TOLERANCES (UNLESS SPECIFIED)		DIMENSION STYLE MM ONLY		SCALE ---	DESIGN UNITS METRIC	THIRD ANGLE PROJECTION	
	10 UNDER	± ---	DRAWN BY Y. A0YAGI	DATE 2006/01/30	TITLE 1.25 W-TO-B CONN. 51021,53261 MATING CROSS SECTION			
	10 OVER 30 UNDER	± ---	CHECKED BY Y. MAEDA	DATE 2006/01/30	MOLEX INCORPORATED			
	30 OVER	± ---	APPROVED BY N. UKITA	DATE 2006/01/30	MATERIAL NO. SEE CHART			
	ANGULAR ± --- °		DRAFT WHERE APPLICABLE MUST REMAIN WITHIN DIMENSIONS		DOCUMENT NO. SD-51021-002		SHEET NO. 1 OF 1	

9

8

7

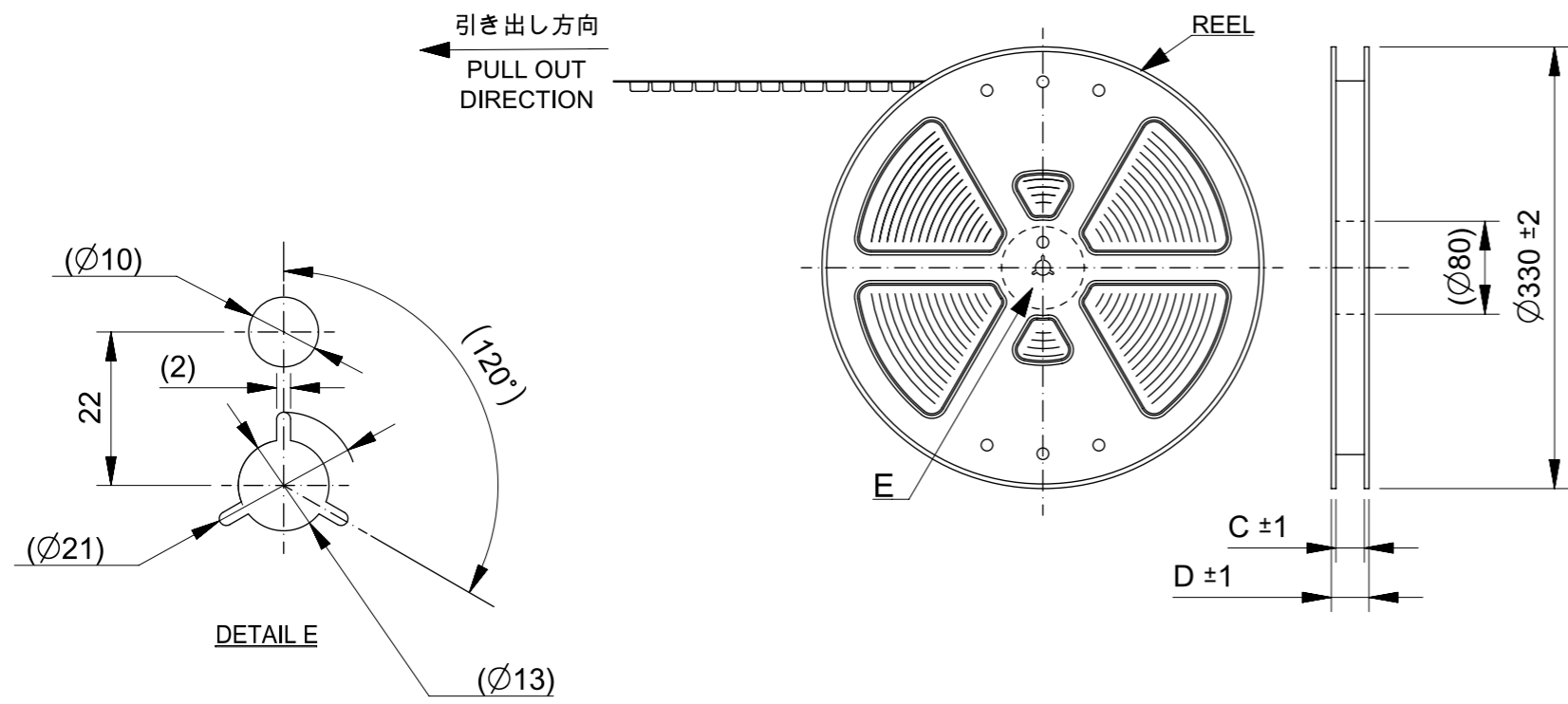
6

5

4

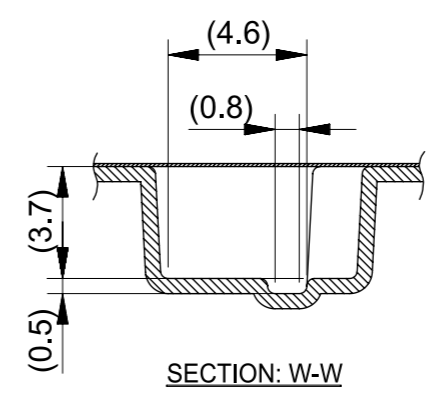
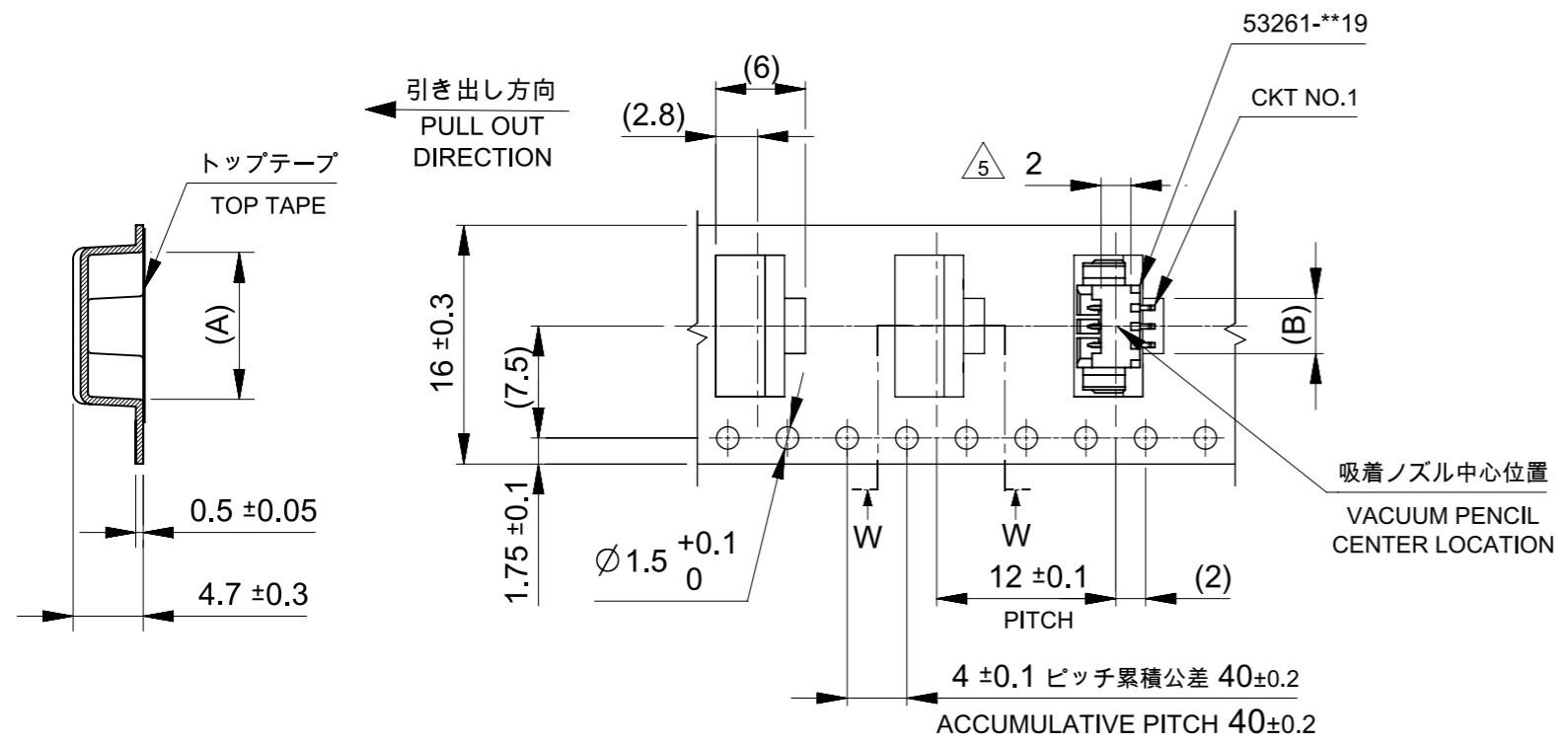
3

2



注釈 NOTE

- コネクタ53261-**19の詳細寸法については図面SD-53261-024をご参照ください。
REFER TO DRAWING SD-53261-024 FOR DETAIL DIMENSIONS OF CONNECTOR 53261-**19.
- 梱包数量: 1000個/リール
NUMBER OF CONNECTOR: 1000PCS/REEL
- リードテープ長さ LEAD TAPE LENGTH
 トップテープリーダ部 TOP TAPE LEADER PART: 175 ± 25
 トップテープ未装着部 TOP TAPE NON-BONDED PART: 25 ± 5
 引き出し方向 PULL OUT DIRECTION
 リーダ部 (空部) LEADER PART (EMPTY): 120 ± 20
 部品挿入部 COMPONENT SUPPLIER
 末端部 (空部) TAIL PART (EMPTY): 150 ± 40
- 材料 (MATERIAL)
 キャリアテープ (CARRIER TAPE): ポリプロピレン (POLYPROPYLENE)
 トップテープ (TOP TAPE): PET, PE, PEF
 リール (REEL): ポリスチレン (PS) <リサイクル材含む> POLYSTYREN (PS) <RECYCLE MATERIAL CONTAINED>
- コネクタハウジング平面部
CONNECTOR HOUSING FLAT AREA.
- 本製品は乾燥剤入りハイバリア梱包仕様である。
THIS PRODUCT IS HIGH BARRIER PACKAGE WITH DESICCANT.

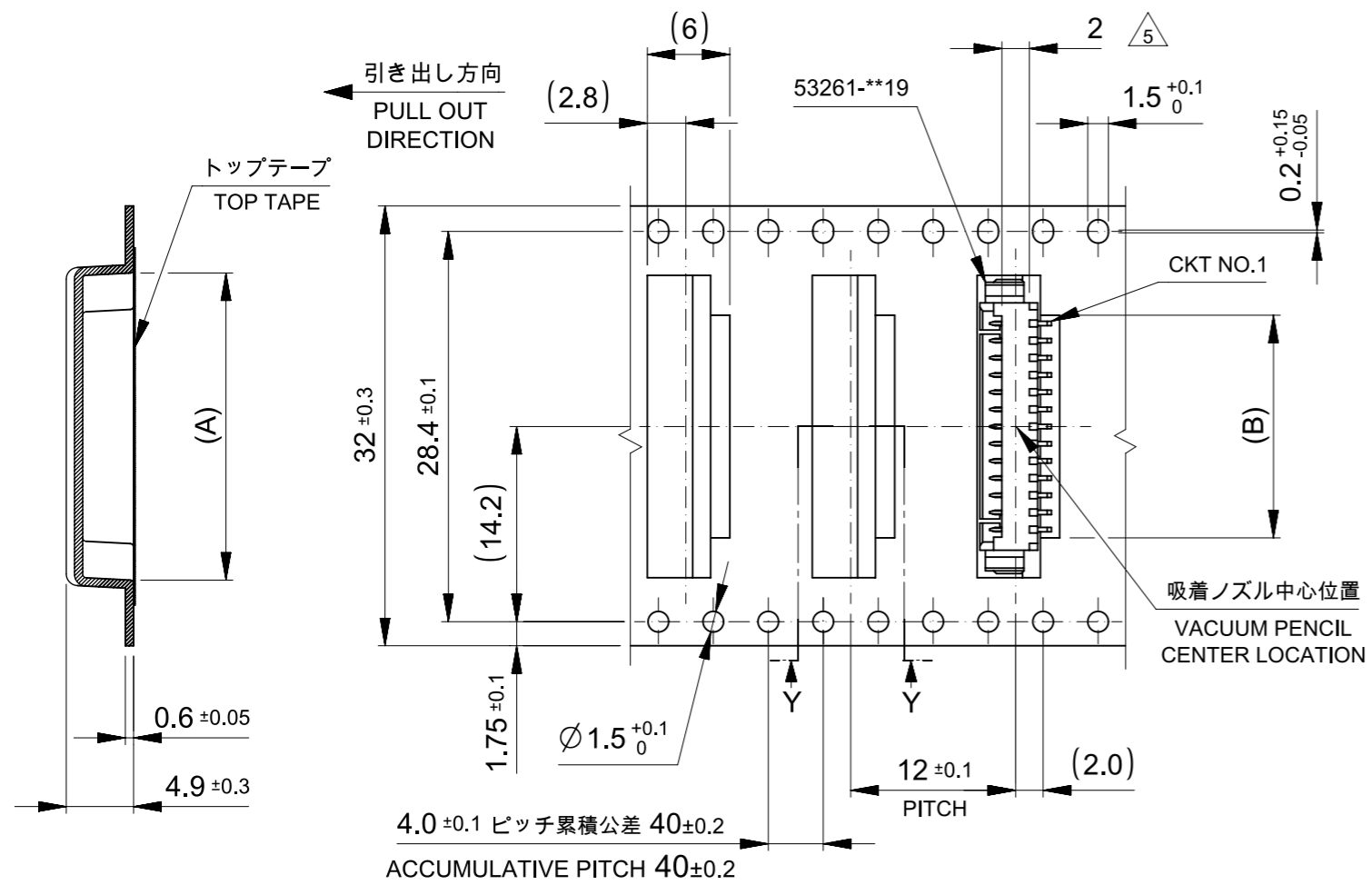


16mm幅キャリアテープ
16mm WIDTH CARRIER TAPE

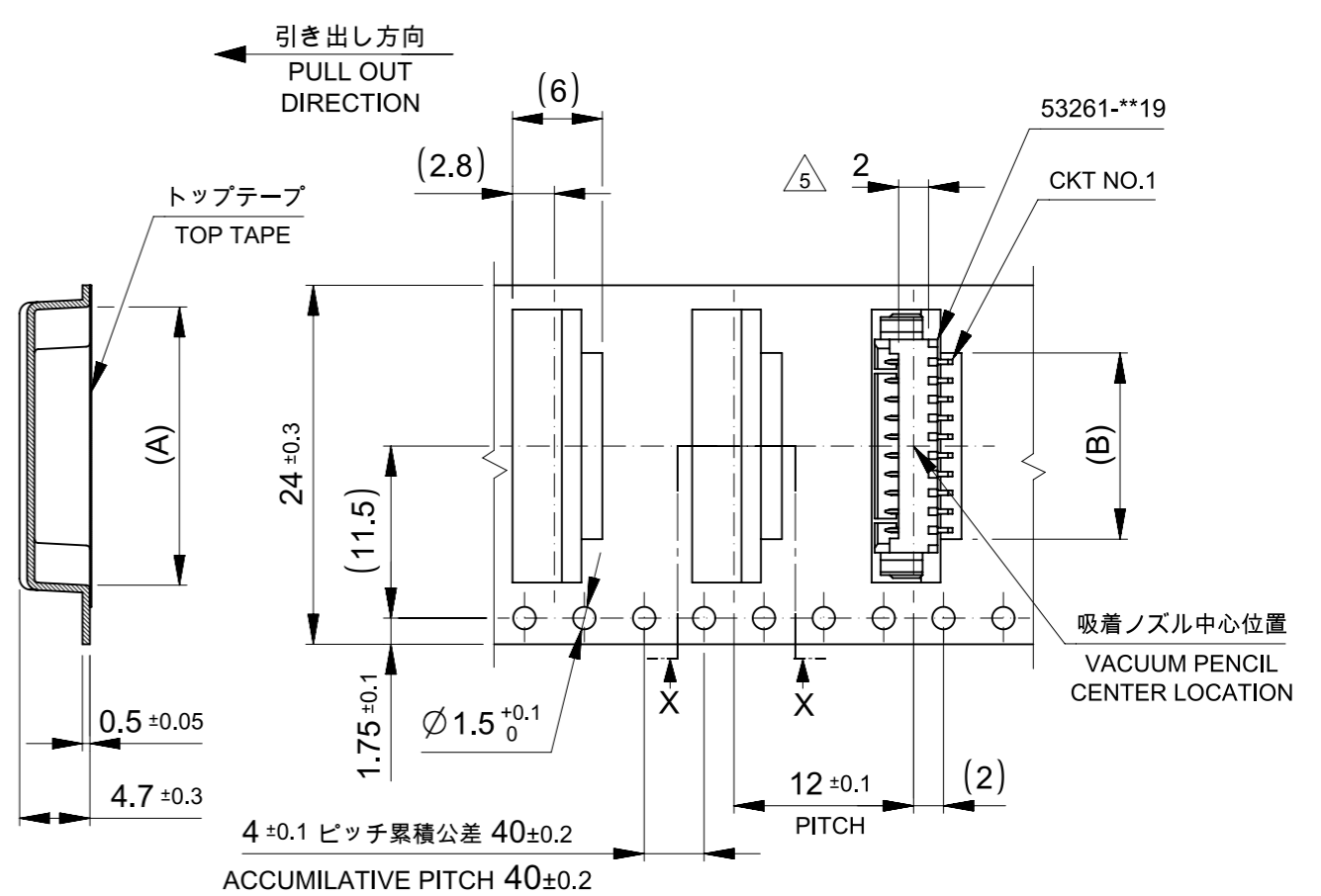
16	21.4	17.4	3.7	9.5	53261-0371	3	
			2.45	8.25	53261-0271	2	
キャリアテープ幅 CARRIER TAPE WIDTH		D	C	B	A	EMBOSSED TAPE PACKAGE オーダー番号 ORDER NO.	極数 CKT.

THIS DRAWING CONTAINS INFORMATION THAT IS PROPRIETARY TO MOLEX ELECTRONIC TECHNOLOGIES, LLC AND SHOULD NOT BE USED WITHOUT WRITTEN PERMISSION		CURRENT REV DESC:		molex				
DIMENSION UNITS	SCALE	EC NO: 174889						PICOBLADE 1.25 W/B CONN. SMT R/A EMBOSSED TAPE PACKAGE
mm	NTS	DRWN: SOBARA01 2018/02/07		PRODUCT CUSTOMER DRAWING				
GENERAL TOLERANCES (UNLESS SPECIFIED)		CHK'D: TKANEKO 2018/04/13		DOCUMENT NUMBER		DOC TYPE	DOC PART	REVISION
ANGULAR TOL	± 3.0 °	APPR: TKANEKO 2018/04/13		SD-53261-023		PSD	001	E
4 PLACES	± 0.2	INITIAL REVISION:		MATERIAL NUMBER		CUSTOMER		SHEET NUMBER
3 PLACES	± 0.2	DRWN: HSHIMABUKURO 2004/02/20		SEE CHART		GENERAL MARKET		1 OF 4
2 PLACES	± 0.2	APPR: MSASAO 2004/02/20		A3-SIZE		53261		
1 PLACE	± 0.2	DRAFT WHERE APPLICABLE MUST REMAIN WITHIN DIMENSIONS		THIRD ANGLE PROJECTION				
0 PLACES	± 0.2							

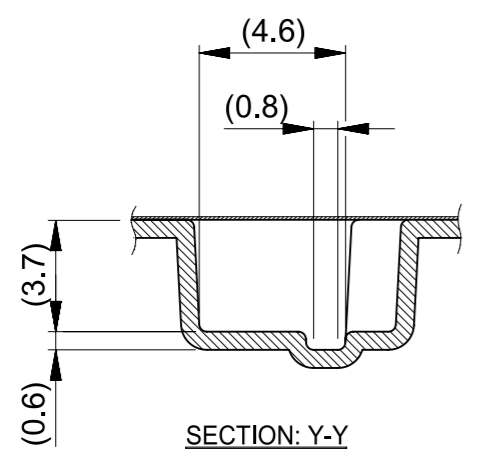
DOCUMENT STATUS	RELEASE DATE
-----------------	--------------



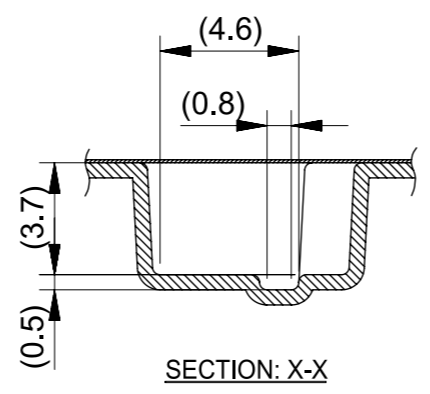
32mm幅キャリアテープ
32mm WIDTH CARRIER TAPE



24mm幅キャリアテープ
24mm WIDTH CARRIER TAPE



SECTION: Y-Y

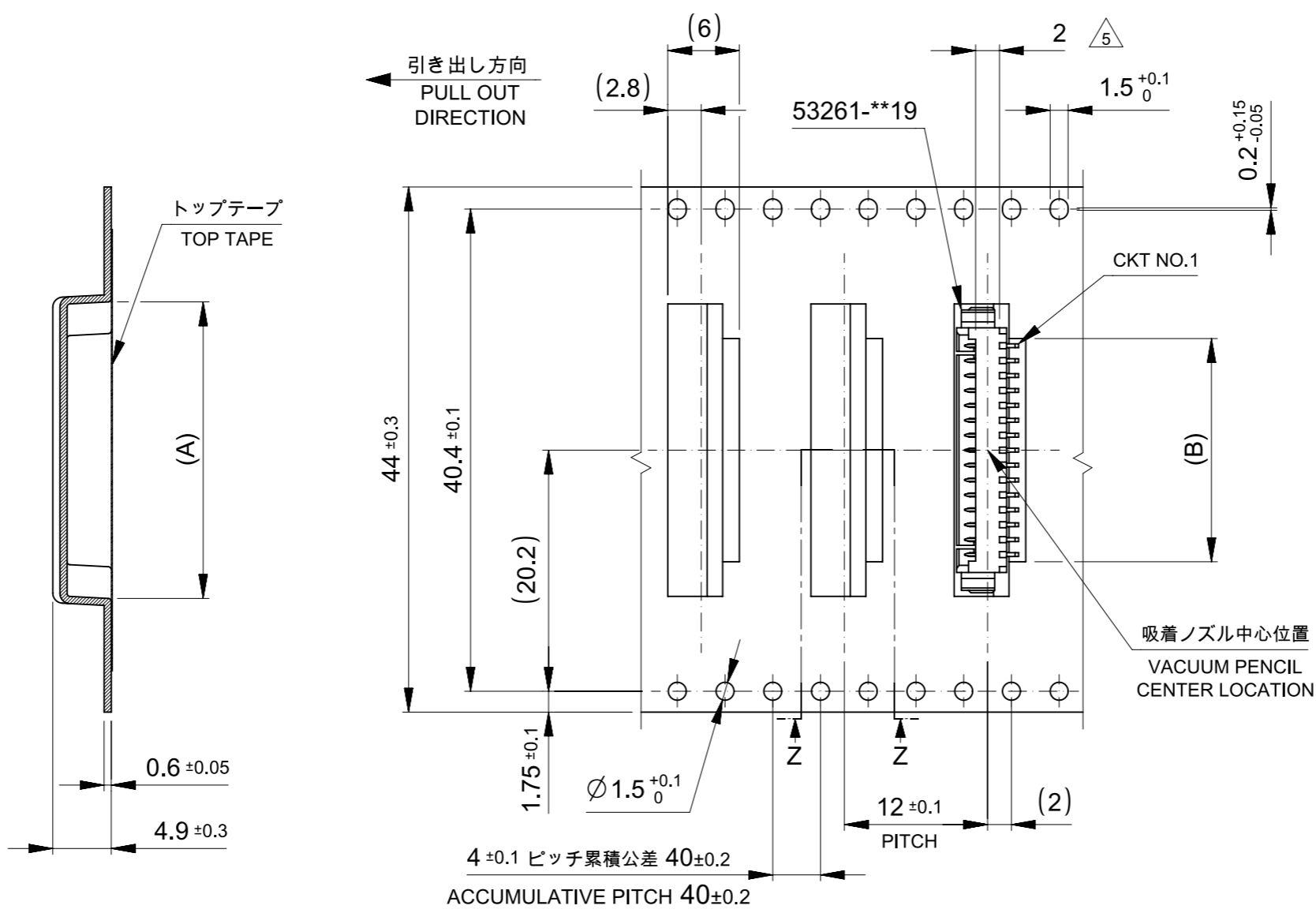


SECTION: X-X

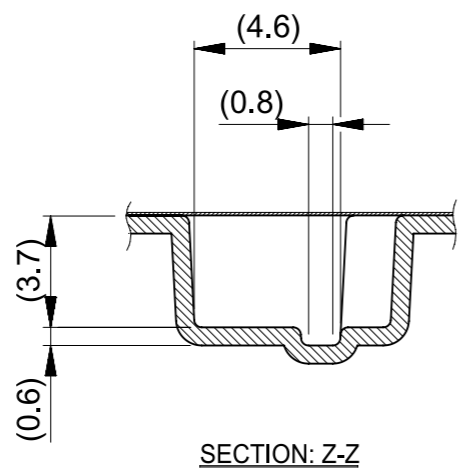
32	37.4	33.4	16.2	22	53261-1371	13	
			14.95	20.75	53261-1271	12	
			13.7	19.5	53261-1171	11	
24	29.4	25.4	12.45	18.25	53261-1071	10	
			11.2	17	53261-0971	9	
			9.95	15.75	53261-0871	8	
			8.7	14.5	53261-0771	7	
			7.45	13.25	53261-0671	6	
			6.2	12	53261-0571	5	
			4.95	10.75	53261-0471	4	
キャリアテープ幅 CARRIER TAPE WIDTH		D	C	B	A	EMBOSSED TAPE PACKAGE オーダー番号 ORDER NO.	極数 CKT.

THIS DRAWING CONTAINS INFORMATION THAT IS PROPRIETARY TO MOLEX ELECTRONIC TECHNOLOGIES, LLC AND SHOULD NOT BE USED WITHOUT WRITTEN PERMISSION

DIMENSION UNITS mm	SCALE NTS	CURRENT REV DESC:		molex		
GENERAL TOLERANCES (UNLESS SPECIFIED)		EC NO: 174889				
ANGULAR TOL	± 3.0 °	DRWN: SOBARA01	2018/02/07	PRODUCT CUSTOMER DRAWING		
4 PLACES	± 0.2	CHK'D: TKANEKO	2018/04/13	DOCUMENT NUMBER		
3 PLACES	± 0.2	APPR: TKANEKO	2018/04/13	SD-53261-023		
2 PLACES	± 0.2	INITIAL REVISION:		DOC TYPE	DOC PART	REVISION
1 PLACE	± 0.2	DRWN: HSHIMABUKURO	2004/02/20	PSD	001	E
0 PLACES	± 0.2	APPR: MSASAO	2004/02/20	SHEET NUMBER		
DRAFT WHERE APPLICABLE MUST REMAIN WITHIN DIMENSIONS		THIRD ANGLE PROJECTION	DRAWING	SERIES	MATERIAL NUMBER	CUSTOMER
			A3-SIZE	53261	SEE CHART	GENERAL MARKET



44mm幅キャリアテープ
44mm WIDTH CARRIER TAPE



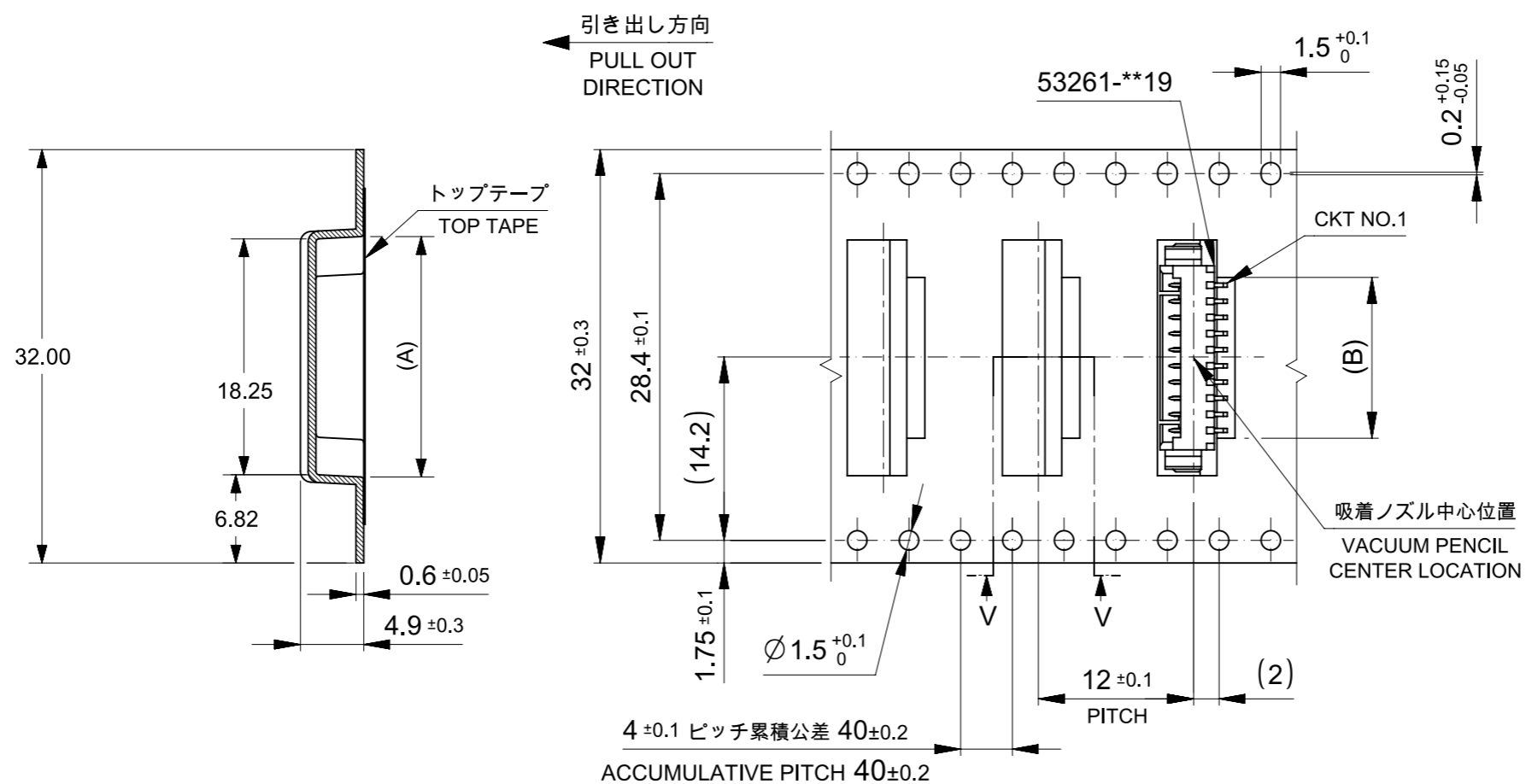
44	49.4	45.4	21.2	27	53261-1771	17	
			18.7	24.5	53261-1571	15	
			17.45	23.25	53261-1471	14	
キャリアテープ幅 CARRIER TAPE WIDTH		D	C	B	A	EMBOSSED TAPE PACKAGE 極数 オーダー番号 ORDER NO.	CKT.

THIS DRAWING CONTAINS INFORMATION THAT IS PROPRIETARY TO MOLEX ELECTRONIC TECHNOLOGIES, LLC AND SHOULD NOT BE USED WITHOUT WRITTEN PERMISSION

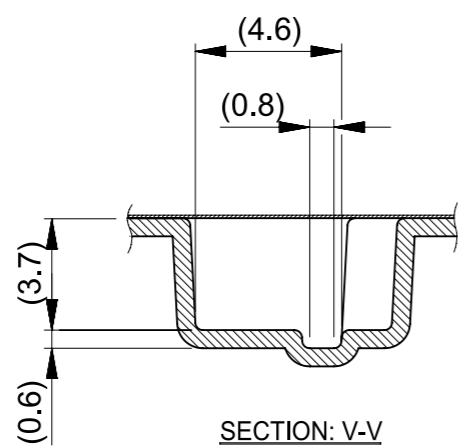
DIMENSION UNITS	SCALE	CURRENT REV DESC:					
mm	NTS	<p>molex</p> <p>PICOBLADE 1.25 W/B CONN. SMT R/A EMBOSSED TAPE PACKAGE</p> <p>PRODUCT CUSTOMER DRAWING</p>					
GENERAL TOLERANCES (UNLESS SPECIFIED)							
ANGULAR TOL	± 3.0 °						
4 PLACES	± 0.2						
3 PLACES	± 0.2						
2 PLACES	± 0.2	EC NO: 174889	2018/02/07	DOCUMENT NUMBER	DOC TYPE	DOC PART	REVISION
1 PLACE	± 0.2	DRWN: SOBARA01	2018/04/13	SD-53261-023	PSD	001	E
0 PLACES	± 0.2	CHK'D: TKANEKO	2018/04/13	MATERIAL NUMBER			
DRAFT WHERE APPLICABLE MUST REMAIN WITHIN DIMENSIONS		APPR: TKANEKO	2018/04/13	CUSTOMER		SHEET NUMBER	
THIRD ANGLE PROJECTION		INITIAL REVISION:	DRWN: HSHIMABUKURO	2004/02/20	GENERAL MARKET		3 OF 4
DRAWING		APPR: MSASAO	2004/02/20	SEE CHART			
SERIES		A3-SIZE		53261			

DOCUMENT STATUS	RELEASE DATE
-----------------	--------------

53261-1071
 韓国生産分に適用
 APPLIES TO PRODUCT
 PRODUCED BY MXK



32mm幅キャリアテープ
 32mm WIDTH CARRIER TAPE



32	37.4	33.4	12.45	18.25	53261-1071	10
キャリアテープ幅 CARRIER TAPE WIDTH	D	C	B	A	EMBOSSSED TAPE PACKAGE	極数 CKT.
					オーダー番号 ORDER NO.	

THIS DRAWING CONTAINS INFORMATION THAT IS PROPRIETARY TO MOLEX ELECTRONIC TECHNOLOGIES, LLC AND SHOULD NOT BE USED WITHOUT WRITTEN PERMISSION		CURRENT REV DESC:		molex			
DIMENSION UNITS	SCALE						
mm	NTS			PRODUCT CUSTOMER DRAWING			
GENERAL TOLERANCES (UNLESS SPECIFIED)		EC NO: 174889		DOCUMENT NUMBER			
ANGULAR TOL	± 3.0 °	DRWN: SOBARA01 2018/02/07		SD-53261-023			
4 PLACES	± 0.2	CHK'D: TKANEKO 2018/04/13		DOC TYPE			
3 PLACES	± 0.2	APPR: TKANEKO 2018/04/13		PSD			
2 PLACES	± 0.2	INITIAL REVISION:		DOC PART			
1 PLACE	± 0.2	DRWN: HSHIMABUKURO 2004/02/20		001			
0 PLACES	± 0.2	APPR: MSASAO 2004/02/20		E			
DRAFT WHERE APPLICABLE MUST REMAIN WITHIN DIMENSIONS		THIRD ANGLE PROJECTION	DRAWING	SERIES	MATERIAL NUMBER	CUSTOMER	SHEET NUMBER
			A3-SIZE	53261	SEE CHART	GENERAL MARKET	4 OF 4

DOCUMENT STATUS	RELEASE DATE
-----------------	--------------

