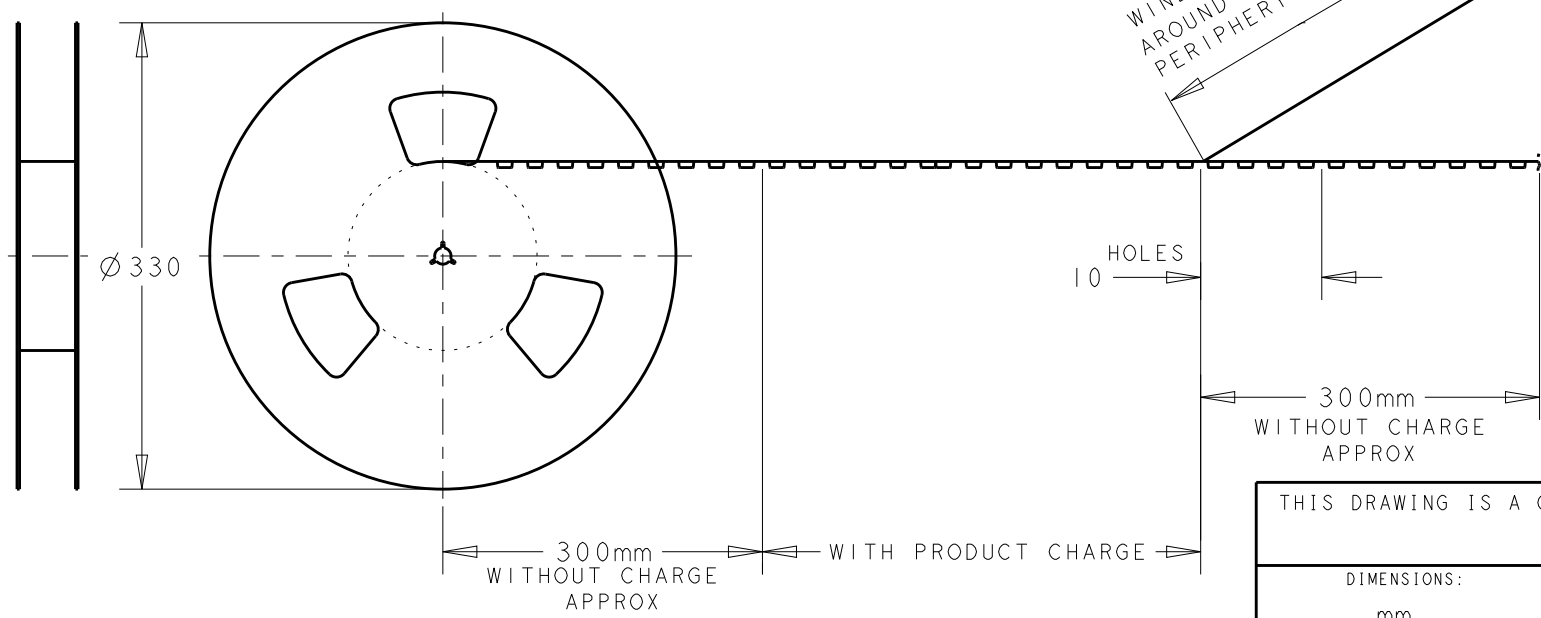
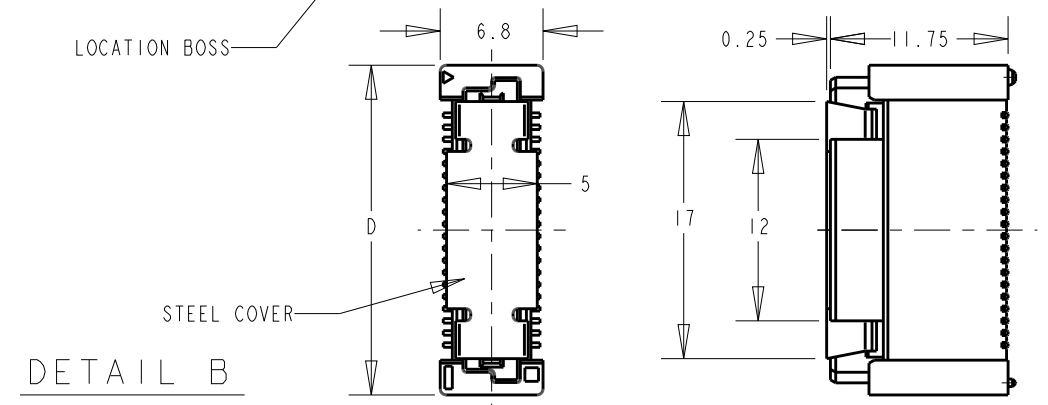
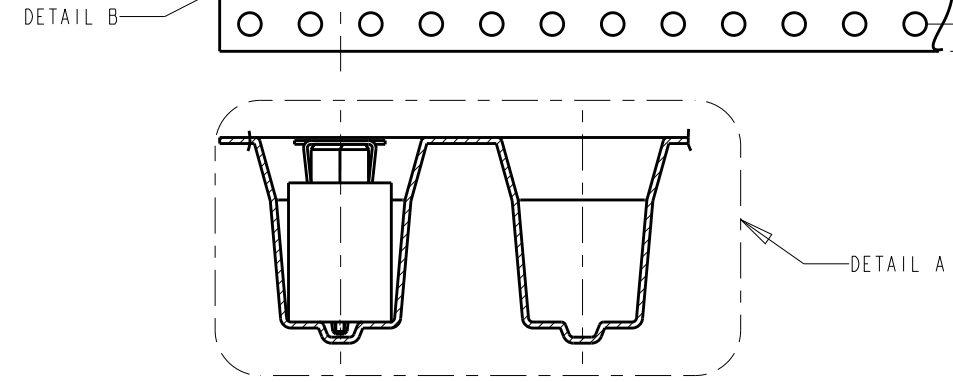
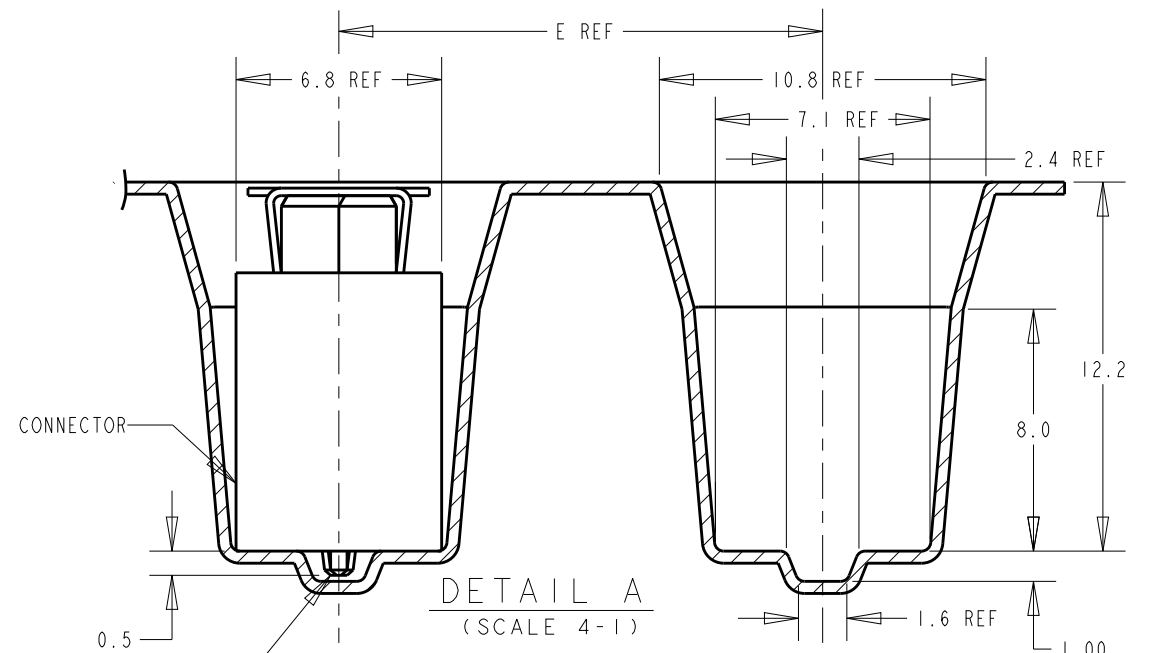
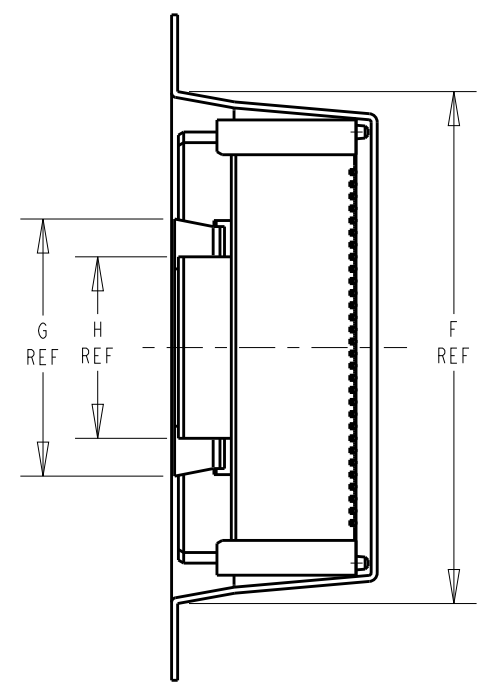
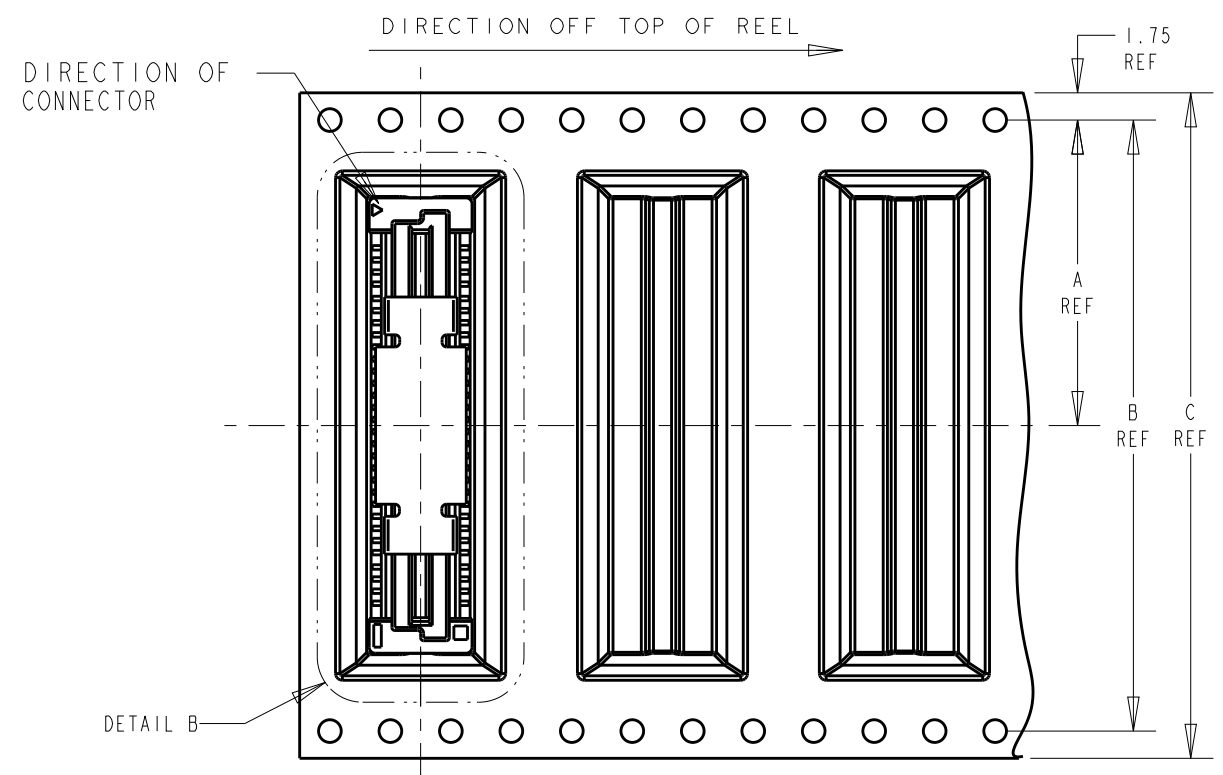


THIS DRAWING IS UNPUBLISHED. RELEASED FOR PUBLICATION 20
 © COPYRIGHT 20 BY - ALL RIGHTS RESERVED.

REVISIONS					
P	LTR	DESCRIPTION	DATE	DWN	APVD
RI		REVISED PER ECO-17-018044	20NOV2017	RL	HL



200	12	17	89.8	16	85.8	104	100.4	50.2	200	1-5084616-0
200	12	17	81.8	16	77.8	104	100.4	50.2	180	5084616-9
200	12	17	73.8	16	69.8	88	84.4	42.2	160	5084616-8
200	12	17	65.8	16	61.8	88	84.4	42.2	140	5084616-6
200	12	17	57.8	16	53.8	72	68.4	34.2	120	5084616-5
200	12	17	49.8	16	45.8	72	68.4	34.2	100	5084616-4
200	12	17	41.8	16	37.8	56	52.4	26.2	80	5084616-3
200	12	17	33.8	16	29.8	44	40.4	20.2	60	5084616-2
200	12	17	25.8	16	21.8	44	40.4	20.2	40	5084616-1
QTY	H	G	F	E	D	C	B	A	POS	PART NO.

200	12	17	57.8	16	53.8	72	68.4	34.2	5-5179010-5	120	9-5084616-5
200	12	17	49.8	16	45.8	72	68.4	34.2	5-5179010-4	100	9-5084616-4
QTY	H	G	F	E	D	C	B	A	CONNECTOR P/N	POS	PART NO.

THIS DRAWING IS A CONTROLLED DOCUMENT.

DIMENSIONS: mm

TOLERANCES UNLESS OTHERWISE SPECIFIED:

0 PLC	±
1 PLC	±0.20
2 PLC	±0.25
3 PLC	±
4 PLC	±
ANGLES	±
FINISH	±

DWN 01SEP04 FLORENCE TAN
 CHK ERIC TNG
 APVD SE LEONG
 PRODUCT SPEC 108-5390
 APPLICATION SPEC 114-5254
 WEIGHT -
 CUSTOMER DRAWING

STE TE Connectivity

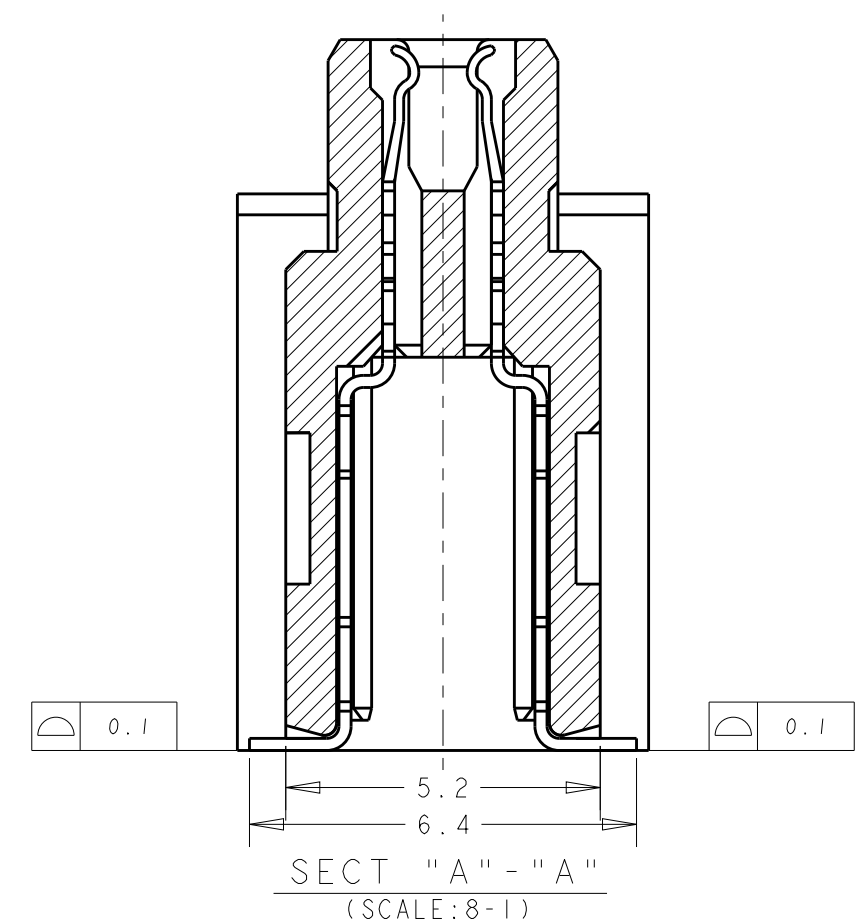
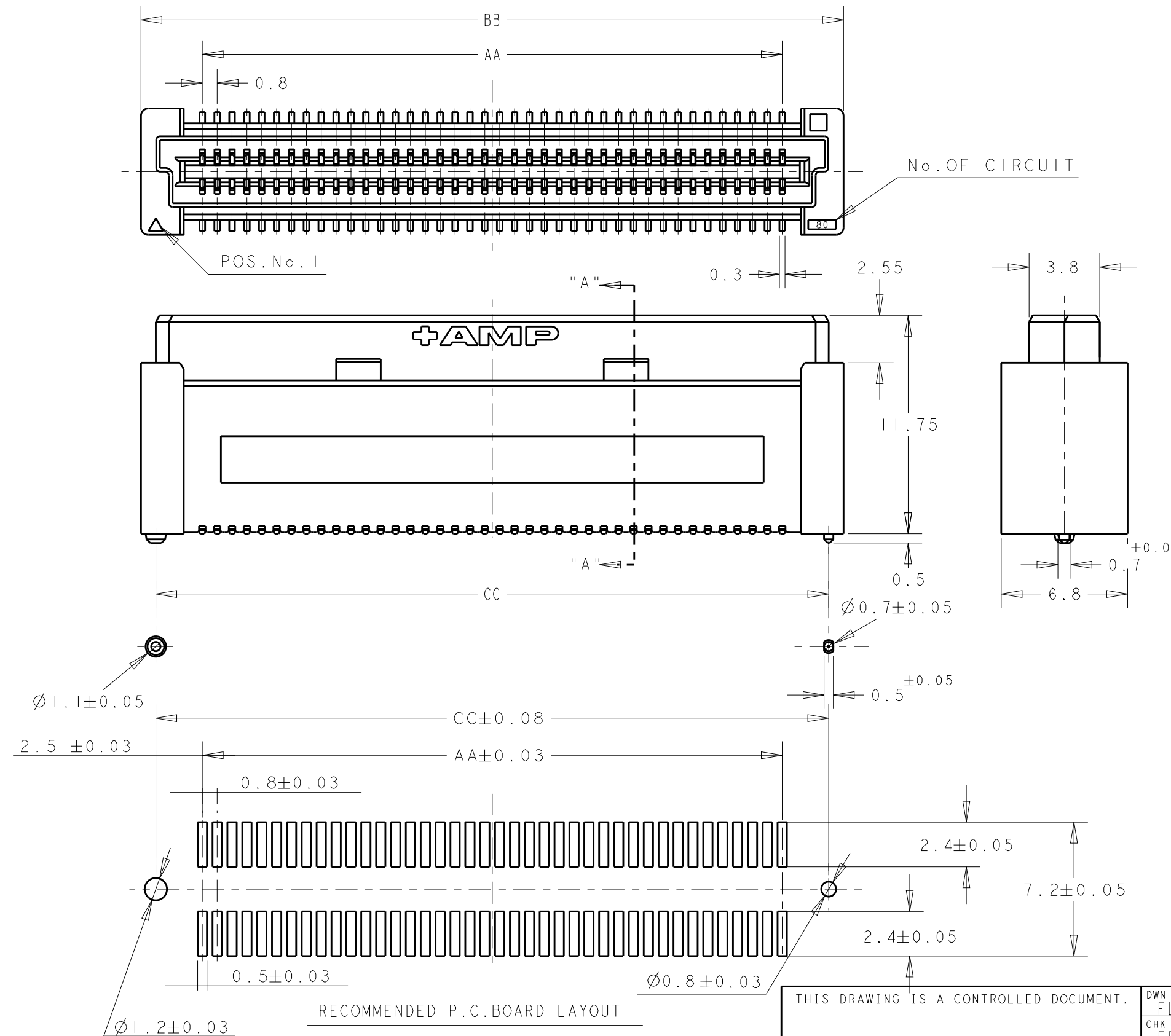
NAME RECEPTACLE ASS'Y 13H TYPE (0.5 BOSS LENGTH) FOR FH 0.8mm B-T-B CONN. ON TAPING

SIZE	CAGE CODE	DRAWING NO	RESTRICTED TO
A3	00779	5084616	-

SCALE 2:1 SHEET 1 OF 2 REV RI

THIS DRAWING IS UNPUBLISHED. RELEASED FOR PUBLICATION 20
 © COPYRIGHT 20 BY - ALL RIGHTS RESERVED.

REVISIONS				
P	LTR	DESCRIPTION	DATE	APVD



52.2	53.8	47.2	120	9-5084616-5
44.2	45.8	39.2	100	9-5084616-4
84.2	85.8	79.2	200	1-5084616-0
76.2	77.8	71.2	180	5084616-9
68.2	69.8	63.2	160	5084616-8
60.2	61.8	55.2	140	5084616-6
52.2	53.8	47.2	120	5084616-5
44.2	45.8	39.2	100	5084616-4
36.2	37.8	31.2	80	5084616-3
28.2	29.8	23.2	60	5084616-2
20.2	21.8	15.2	40	5084616-1
CC	BB	AA	POS	PART NO.

NOTES:
 1 MATERIALS:
 HOUSING: L.C.P (HIGH TEMP THERMO-PLASTIC)
 UL 94V-0, NATURAL.
 CONTACT: COPPER ALLOY.
 2 FINISH:
 ENGAGEMENT AREA: 0.0002 MIN GOLD
 SOLDERING AREA: 0.0020 MIN MATTE TIN
 UNDERCOAT: 0.0013 MIN NICKEL ALL OVER
 3. CONN STACK HEIGHT COMBINE OF PLUG "Y" H VS REC "X" H.
 STACK HEIGHT = Y + X - 5

THIS DRAWING IS A CONTROLLED DOCUMENT.

DWN FLORENCE TAN	01SEP04	STE TE Connectivity
CHK ERIC TNG	-	
APVD SEIFONG	-	NAME RECEPTACLE ASS'Y 13H TYPE (0.5 BOSS LENGTH) FOR FH 0.8mm B-T-B CONN. ON TAPING
PRODUCT SPEC 108-5390	-	SIZE A3
APPLICATION SPEC 114-5254	-	CAGE CODE 00779
WEIGHT -	-	DRAWING NO C-5084616
MATERIAL -	FINISH -	RESTRICTED TO -
CUSTOMER DRAWING		SCALE 2:1
		SHEET 2 OF 2
		REV R1