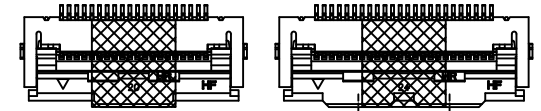
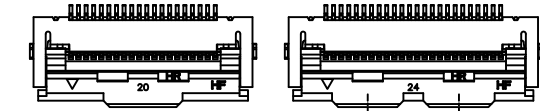


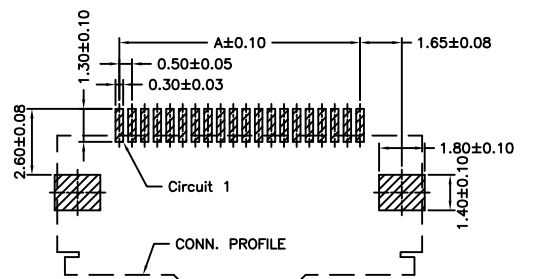
**SPECIFICATIONS**

Current Rating: 0.5A AC,DC  
 Voltage Rating: 50V AC,DC  
 Temperature Range: -25°C ~ +85°C  
 Contact Resistance: 30mΩ Max.  
 Insulation Resistance: 100MΩ Min.  
 Withstanding Voltage: 250V AC/minute  
 Contacts: Phosphor Bronze  
 Solder Tabs: Phosphor Bronze  
 Housing: LCP,UL94V-0,Natural(Beige)  
 Cover: LCP,UL94V-0,Natural(Black)

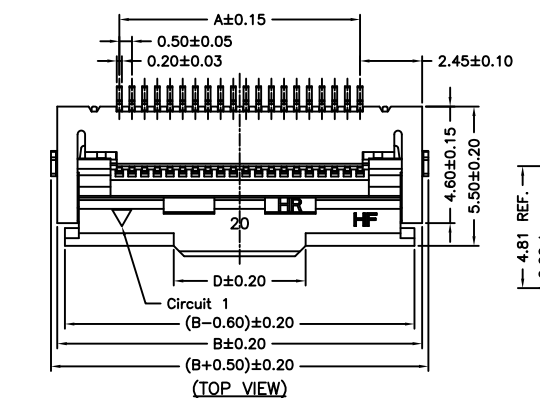


F0502WR-S-XPNX... (04P~22P)  
 F0502WR-S-XPNX... (23P~60P)

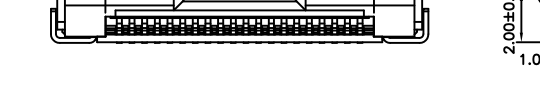
KAPTON TAPE (FOR PICK AND PLACE SYSTEMS)  
 F0502WR-S-XPNX... (04P~22P)  
 KAPTON TAPE (FOR PICK AND PLACE SYSTEMS)  
 F0502WR-S-XPNX... (23P~60P)



SUGGESTED PCB LAYOUT (TOP VIEW)



SUGGESTED PCB LAYOUT (TOP VIEW)



04P~46P  
 50P~60P

**P/N LEGEND**

F0502 WR-S-XP N L N XX X XX X  
 ① Series No.  
 ② Connector type: WR=Right angle  
 ③ Mounting type: S=SMT  
 ④ No. of circuits  
 ⑤ N=Halogen Free  
 ⑥ Material: L=LCP  
 ⑦ Color: N=Natural(Beige)  
 ⑧ Plating code for contacts:  
 T1=Matte Tin-plated; G1=Gold-flash  
 ⑨ Plating code for solder tabs:  
 T=Matte Tin-plated; G=Gold-flash  
 ⑩ Option code: 00=Standard 01=Cap Material is LCP  
 ⑪ Packing code:  
 R=Reel (Without Cap or Mylar)  
 L=Tape & Reel (With Mylar)

Circuit No.	Dimensions				
	A	B	C	D	E
04P	1.50	6.40	2.60	2.20	
06P	2.50	7.40	3.60	2.70	
07P	3.00	7.90	4.10	2.70	
08P	3.50	8.40	4.60	2.70	
09P	4.00	8.90	5.10	2.70	
10P	4.50	9.40	5.60	2.70	
11P	5.00	9.90	6.10	2.70	
12P	5.50	10.40	6.60	2.70	
13P	6.00	10.90	7.10	2.70	
14P	6.50	11.40	7.60	2.70	
15P	7.00	11.90	8.10	2.70	
16P	7.50	12.40	8.60	2.70	
17P	8.00	12.90	9.10	2.70	
18P	8.50	13.40	9.60	2.70	
19P	9.00	13.90	10.10	2.70	
20P	9.50	14.40	10.60	2.70	
21P	10.00	14.90	11.10	2.70	
22P	10.50	15.40	11.60	2.70	
23P	11.00	15.90	12.10	2.70	6.00
24P	11.50	16.40	12.60	2.70	6.00
25P	12.00	16.90	13.10	2.70	6.00
26P	12.50	17.40	13.60	2.70	6.50

Circuit No.	Dimensions				
	A	B	C	D	E
27P	13.00	17.90	14.10	5.20	7.00
28P	13.50	18.40	14.60	5.20	7.00
29P	14.00	18.90	15.10	5.20	7.50
30P	14.50	19.40	15.60	5.20	7.50
31P	15.00	19.90	16.10	5.20	8.00
32P	15.50	20.40	16.60	5.20	8.00
33P	16.00	20.90	17.10	5.20	8.50
34P	16.50	21.40	17.60	5.20	9.00
35P	17.00	21.90	18.10	5.20	9.00
36P	17.50	22.40	18.60	5.20	9.00
37P	18.00	22.90	19.10	5.20	9.50
38P	18.50	23.40	19.60	5.20	10.00
39P	19.00	23.90	20.10	5.20	10.50
40P	19.50	24.40	20.60	5.20	13.50
42P	20.50	25.40	21.60	5.20	14.50
45P	22.00	26.90	23.10	5.20	14.30
46P	22.50	27.40	23.60	5.20	14.30
50P	24.50	29.40	25.60	5.20	6.50
54P	26.50	31.40	27.60	5.20	8.00
55P	27.00	31.90	28.10	5.20	8.00
60P	29.50	34.40	30.60	5.20	8.00

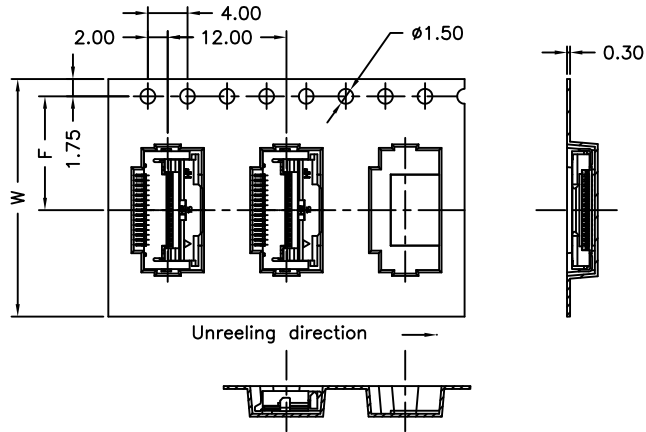
燦達電子工業股份有限公司  
 JOINT TECH ELECTRONIC IND. CO., LTD.

REV.	DESCRIPTION	DATE	NAME	UNIT	SCALE	SHEET
A4	EN1309130333	2013.09.13	劉包根	mm	1:1	1 of 3
A3	EN1202270041	2012.02.27	劉包根			
A2	EN1105180133	2011.05.18	權生新			
A1	EN1104120095	2011.04.12	權生新			
A0	NEW RELEASE	2010.12.17	權生新			
REV.	DESCRIPTION	DATE	NAME			

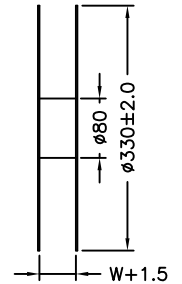
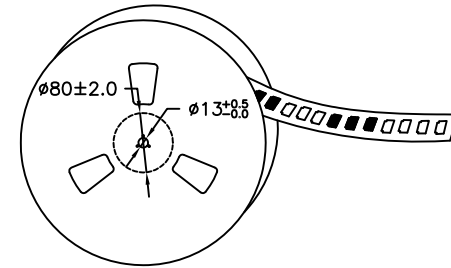
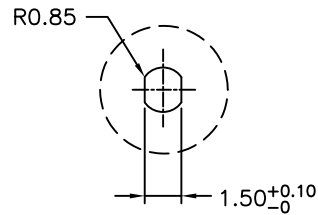
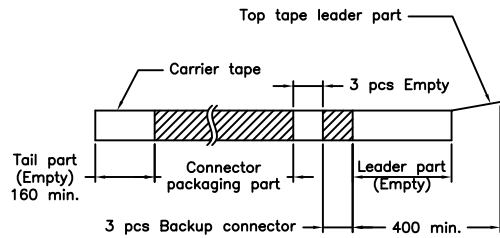
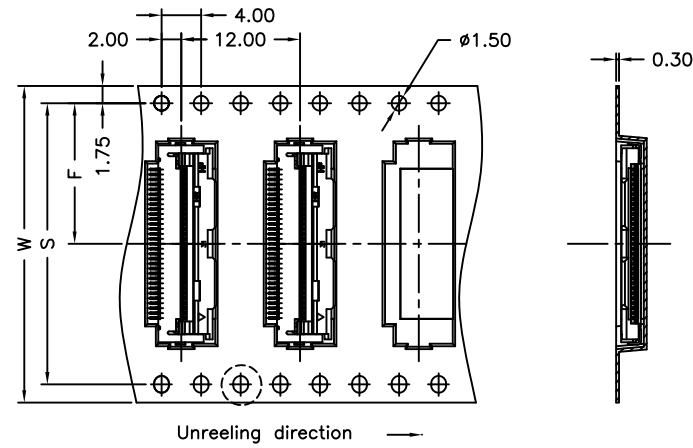
TITLE:  
 0.50mm PITCH FFC/FPC  
 CONNECTOR, 90° SMT TYPE,  
 ZIF, BOTTOM CONTACT STYLE  
 DRAW NO.: F0502WR-S-XPNX...  
 REV. A4



04~23 Contacts



24~60 Contacts

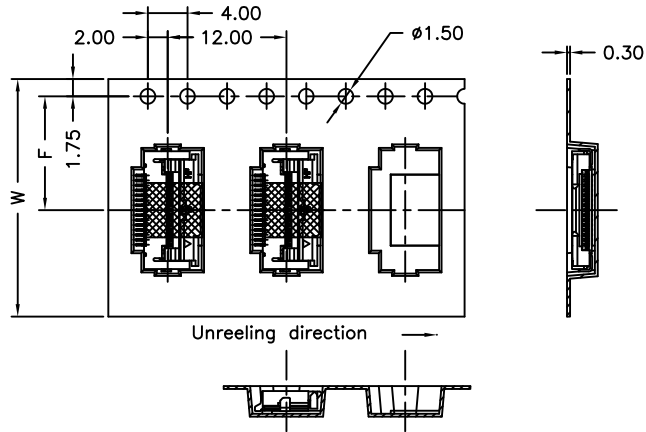


Number of Contacts	W±0.3	F±0.1	S±0.1	Q'ty/Reel	Number of Contacts	W±0.3	F±0.1	S±0.1	Q'ty/Reel
04P	16	7.50	28.40	1,000	27P	32	14.20	28.40	1,000
06P	16	7.50		1,000	28P	32	14.20	28.40	1,000
07P	16	7.50		1,000	29P	32	14.20	28.40	1,000
08P	16	7.50		1,000	30P	32	14.20	28.40	1,000
09P	24	11.50		1,000	31P	32	14.20	28.40	1,000
10P	24	11.50		1,000	32P	32	14.20	28.40	1,000
11P	24	11.50		1,000	33P	32	14.20	28.40	1,000
12P	24	11.50		1,000	34P	32	14.20	28.40	1,000
13P	24	11.50		1,000	35P	44	20.20	40.40	1,000
14P	24	11.50		1,000	36P	44	20.20	40.40	1,000
15P	24	11.50		1,000	37P	44	20.20	40.40	1,000
16P	24	11.50		1,000	38P	44	20.20	40.40	1,000
17P	24	11.50		1,000	39P	44	20.20	40.40	1,000
18P	24	11.50		1,000	40P	44	20.20	40.40	1,000
19P	24	11.50		1,000	42P	44	20.20	40.40	1,000
20P	24	11.50		1,000	45P	44	20.20	40.40	1,000
21P	24	11.50		1,000	46P	44	20.20	40.40	1,000
22P	24	11.50		1,000	50P	44	20.20	40.40	1,000
23P	24	11.50		1,000	54P	44	20.20	40.40	1,000
24P	32	14.20		1,000	55P	44	20.20	40.40	1,000
25P	32	14.20		1,000	60P	56	26.20	52.40	1,000
26P	32	14.20		1,000					

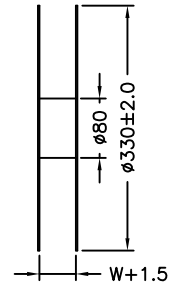
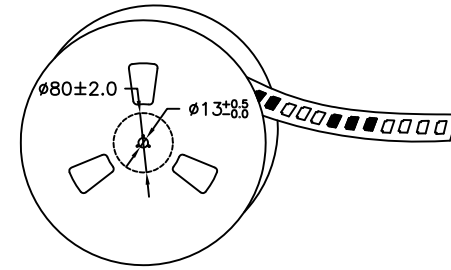
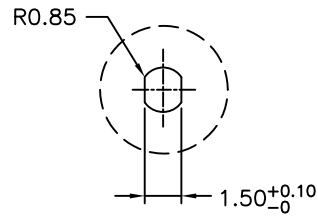
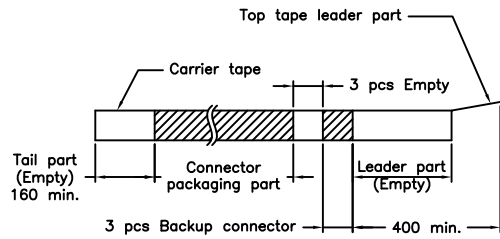
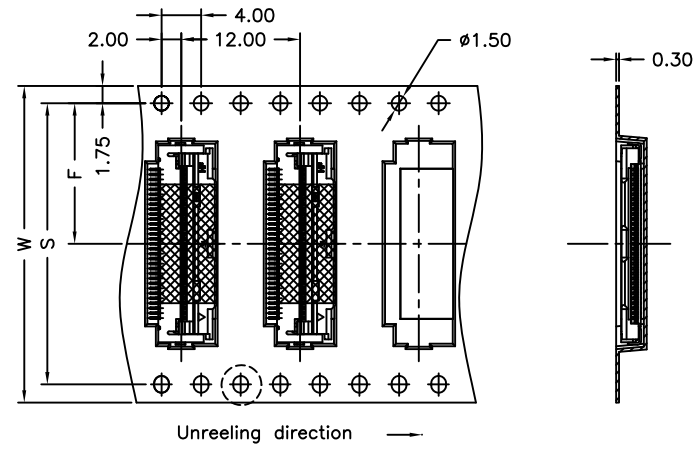
				UNIT	SCALE	SHEET	<b>TITLE:</b> 0.50mm PITCH FFC/FPC CONNECTOR, 90° SMT TYPE, ZIF, BOTTOM CONTACT STYLE, TAPING SPEC.
				mm	1 : 1	2 of 3	
A4	EN1309130333	2013.09.13	劉包根	DRAWN BY	APPROVED BY		DRAW NO. : F0502WR-S-XPNXXXXXXXXX
A3	EN1202270041	2012.02.27	劉包根	權生新	吳國維		
A2	EN1105180133	2011.05.18	權生新	GENERAL TOLERANCE			
A1	EN1104120095	2011.04.12	權生新	X. X±0.25	ANGLE±		
A0	NEW RELEASE	2010.12.17	權生新	X. XX±0.15			REV. A4
REV.	DESCRIPTION	DATE	NAME	X. XXX±0.05			



04~23 Contacts



24~60 Contacts



Number of Contacts	W±0.3	F±0.1	S±0.1	Q'ty/Reel	Number of Contacts	W±0.3	F±0.1	S±0.1	Q'ty/Reel	
04P	16	7.50		1,000	27P	32	14.20	28.40	1,000	
06P	16	7.50		1,000	28P	32	14.20	28.40	1,000	
07P	16	7.50		1,000	29P	32	14.20	28.40	1,000	
08P	16	7.50		1,000	30P	32	14.20	28.40	1,000	
09P	24	11.50		1,000	31P	32	14.20	28.40	1,000	
10P	24	11.50		1,000	32P	32	14.20	28.40	1,000	
11P	24	11.50		1,000	33P	32	14.20	28.40	1,000	
12P	24	11.50		1,000	34P	32	14.20	28.40	1,000	
13P	24	11.50		1,000	35P	44	20.20	40.40	1,000	
14P	24	11.50		1,000	36P	44	20.20	40.40	1,000	
15P	24	11.50		1,000	37P	44	20.20	40.40	1,000	
16P	24	11.50		1,000	38P	44	20.20	40.40	1,000	
17P	24	11.50		1,000	39P	44	20.20	40.40	1,000	
18P	24	11.50		1,000	40P	44	20.20	40.40	1,000	
19P	24	11.50		1,000	42P	44	20.20	40.40	1,000	
20P	24	11.50		1,000	45P	44	20.20	40.40	1,000	
21P	24	11.50		1,000	46P	44	20.20	40.40	1,000	
22P	24	11.50		1,000	50P	44	20.20	40.40	1,000	
23P	24	11.50		1,000	54P	44	20.20	40.40	1,000	
24P	32	14.20		28.40	1,000	55P	44	20.20	40.40	1,000
25P	32	14.20		28.40	1,000	60P	56	26.20	52.40	1,000
26P	32	14.20		28.40	1,000					

				UNIT	SCALE	SHEET	<b>TITLE:</b> 0.50mm PITCH FFC/FPC CONNECTOR, 90° SMT TYPE, ZIF, BOTTOM CONTACT STYLE, TAPING SPEC.
				mm	1 : 1	3 of 3	
DRAWN BY				APPROVED BY		<b>DRAW NO. :</b> F0502WR-S-XPXXXXXXX	
權生新				吳國維			
2011.04.12				2011.04.12		<b>REV. :</b> A4	
A4 EN1309130333 2013.09.13 劉包根				GENERAL TOLERANCE			
A3 EN1202270041 2012.02.27 劉包根				X.X±0.25	ANGLE±		
A2 EN1105180133 2011.05.18 權生新				X.XX±0.15			
REV. DESCRIPTION DATE NAME				X.XXX±0.05			