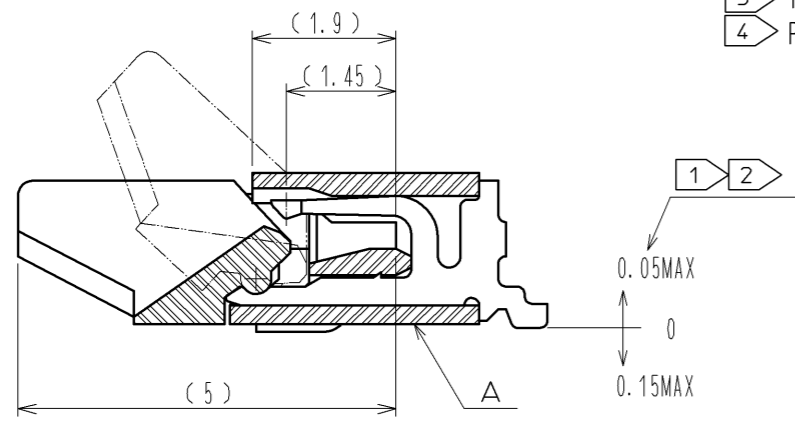
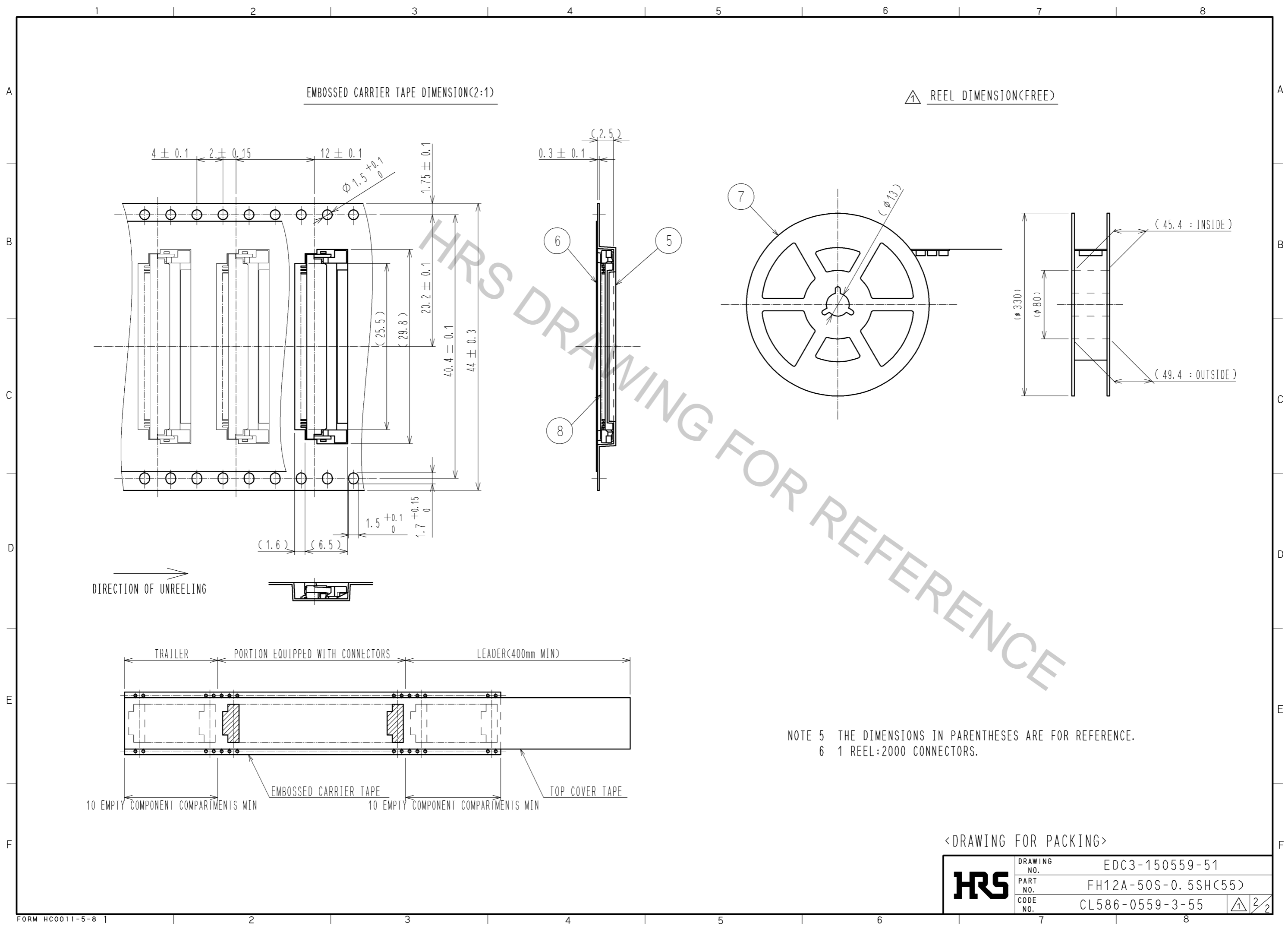


- NOTE
- ① REFERENCE IS A.
 - ② LEAD CO-PLANARITY SHALL BE 0.1 MAX.
 - ③ THICKNESS OF SUPPORTING TAPE SHALL BE 0.188(7.5mil) MIN.
 - ④ PREVENTIVE SINK MARK (DEPTH 0.05) IS INDICATED.



4	BRASS	TIN PLATING 1μmMIN OVER NICKEL 1μmMIN.	8	(CONNECTOR)	
3	PHOSPHOR BRONZE	GOLD PLATING 0.05μmMIN OVER NICKEL 1μmMIN.	7	POLYSTYRENE	
2	PPS	(DEEP BROWN) UL94V-0	6	POLYESTER	
1	POLYAMIDE	(BEIGE) UL94V-0	5	POLYSTYRENE	
NO.	MATERIAL	FINISH . REMARKS	NO.	MATERIAL	FINISH . REMARKS
UNITS	mm	SCALE	5 : 1	COUNT	1
APPROVED : MO. ISHIDA			05. 01. 05		
CHECED : RI. TAKAYASU			05. 01. 05		
DESIGNED : TH. MURAI			05. 01. 05		
DRAWN : TH. MURAI			05. 01. 05		
DESCRIPTION OF REVISIONS				DESIGNED	09. 11. 17
DIS-F-002766				CHECKED	HS. SAKAMOTO
				DATE	
				DRAWING NO.	EDC3-150559-51
				PART NO.	FH12A-50S-0.5SH(55)
				CODE NO.	CL586-0559-3-55

May.1.2018 Copyright 2018 HIROSE ELECTRIC CO., LTD. All Rights Reserved.



HRS	DRAWING NO.	EDC3-150559-51
	PART NO.	FH12A-50S-0.5SH(55)
	CODE NO.	CL586-0559-3-55
		\triangle 2/2