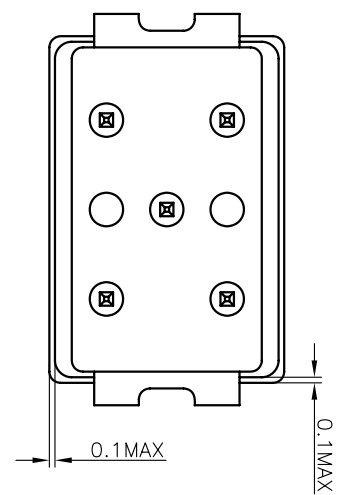
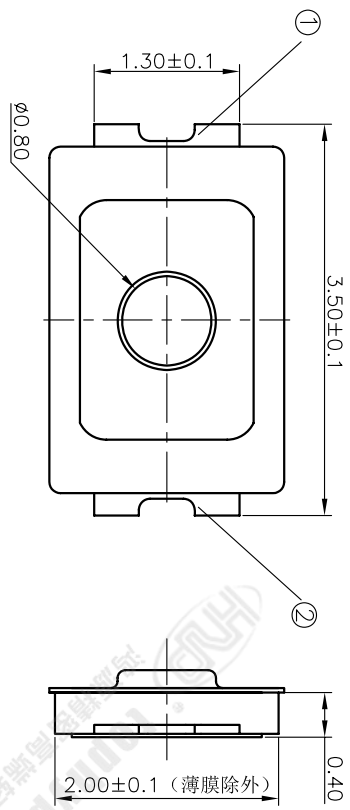
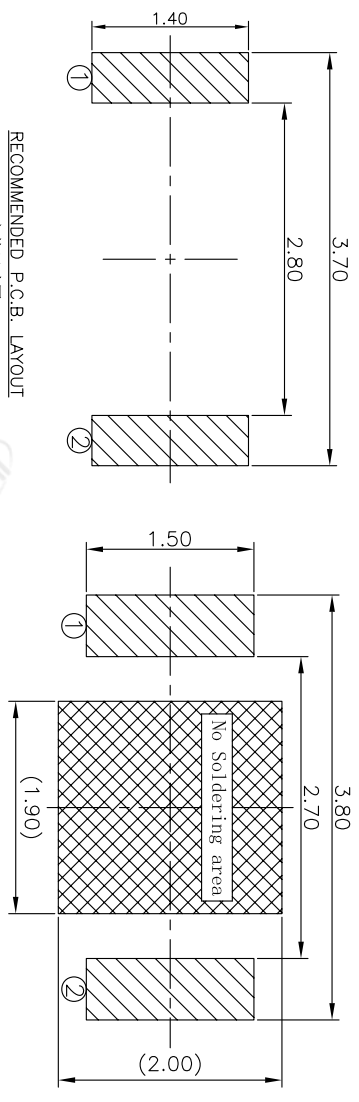
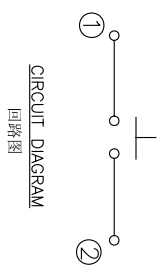
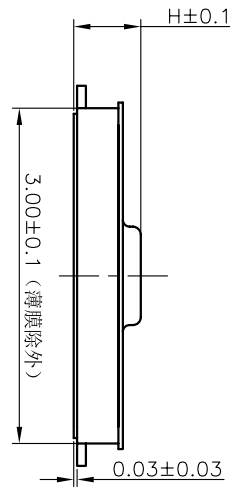


REV	ECN NO.	APPD
A	HC-17-0082	ZO



规格 Specifications

额定负荷 Rating	DC 12V/50mA
接触电阻 Contact Resistance	500mΩ max.
绝缘电阻 Insulation resistance	DC:100V 60S 100MΩ min.
抗电强度 Dielectric strength	AC250V/(50~60HZ) 60S min.
操作力 Operation force	160±30gf
	180±30gf
寿命试验 Operating Life	300,000 cycles
	240±50gf
行程 Travels	0.13±0.05mm



RECOMMENDED P.C.B. LAYOUT
安装尺寸图

LAND PATTERN PLAN
印刷电路板焊盘参考图

PRODUCT NO. : 1TS015A*-***-***-***-*****

轻触开关

3X2系列

外形: A=两脚 B=四脚

触点颜色: 按点颜色: 底座颜色: 贴膜颜色:

操作力度: 160=180gf 180=180gf 200=200gf 220=220gf 240=240gf

初始颜色 则不启用

手感: 0=常规(弹片) 1=大手感(弹片) 2=小手感(弹片) 3=特殊手感(弹片)

产品高度(H): 050=0.5mm 060=0.6mm 070=0.7mm

材质: 0=初始材质 1=新增材质 依次增加

其它: CT=编带(非编带,不启用)

ITEM	PART NAME	QUANTITY	MATERIAL	FINISH
5	KNOB	1	POLYAMIDE	BLACK
4	FILM	1	POLYAMIDE	WHITE
3	DOVE	2	SUS301	Ag-PLATED
2	HOUSING	1	POLYAMIDE	BLACK
1	TERMINAL	1	PHOSPHOR BRONZE	Ag-PLATED

X. ± 0.2	X'. ± 0.2'	UNITS	
X ± 0.1	.X' ± 0.1'	MAT'L	
.XX ± 0.01	.XX' ± 0.01'	FINISH	
.XXX ± 0.002	.XXX' ± 0.002'		

NAME(INTENDED USE)	HON YUAN
3X2 SERIES TACT SWITCHES	HON YUAN PRECISION IND. CO.,LTD.
PART NO.(INTENDED USE)	SHENZHEN, CHINA, R.O.C.
1TS015A***-***-***-***-***	TITLE: PRODUCT DRAWING
APPD: ZO 11/16/2017	DWG NO.: 1TS015A
CHKD: LI 11/16/2017	
DR: WP.LU 11/16/2017	

