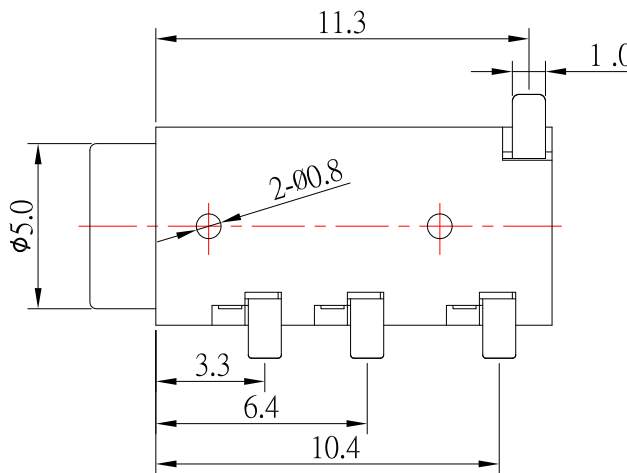
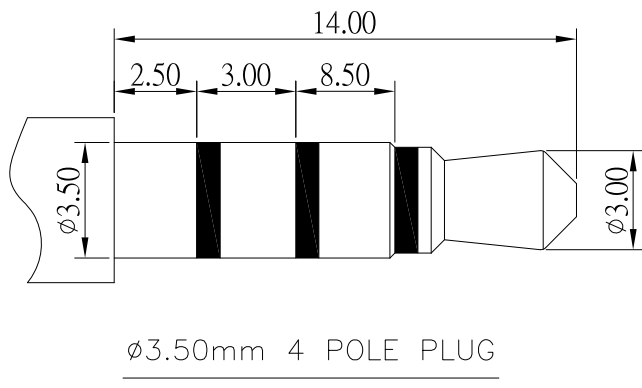
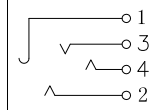


P.C.B LAYOUT
TOP VIEW



SCHEMATIC

PJ-320D-X



SPECIFICATIONS

- Rating : DC 30V 0.5A ;
- Contact resistance : $\leq 30m\Omega$;
- Insulation resistance : $\geq 100M\Omega$;
- Withstand voltage : 500VAC ;
- Insertion and extraction force : 3-20N;
- life test : 5,000 cycles °

PJ-320D-X

R:red	G:green
Y:yellow	B:black
W:white	T:transparent

NO.	DESCRIPTION	QTY	MATERIAL	PLATING
5	HOUSING	1	PPA	
4	4# CONTACT FOOT	1	PHOSPHOR BRONZE	Ag-Plating
3	3#CONTACT FOOT	1	PHOSPHOR BRONZE	Ag-Plating
2	2# CONTACT FOOT	1	PHOSPHOR BRONZE	Ag-Plating
1	1# CONTACT FOOT	1	PHOSPHOR BRONZE	Ag-Plating

REVISIONS					UNSPECIFIED TOLERANCES	DSND	DATE	SCALE: N/A	MODEL TYPE:
Δ X					units: mm				3.5 SMT PHONE JACK
Δ X					tolerance:	DWN	DATE	VIEW:	PART NO.:
Δ X					X.X ±0.2mm	CHKD	DATE	UNIT: mm	DWG NO.:
MARK	DESCRIPTION	DATE	REVISED	APPROVED	X.XX ±0.1mm	APPD	DATE	SIZE: A4	PJ-320D-X-SMT
					X.XXX ±0.05mm	KXB INDUSTRIAL PRECISION CO., LIMITED			WEIGHT
									1.0g
									SHEET
									1/1
									REVISION
									A0