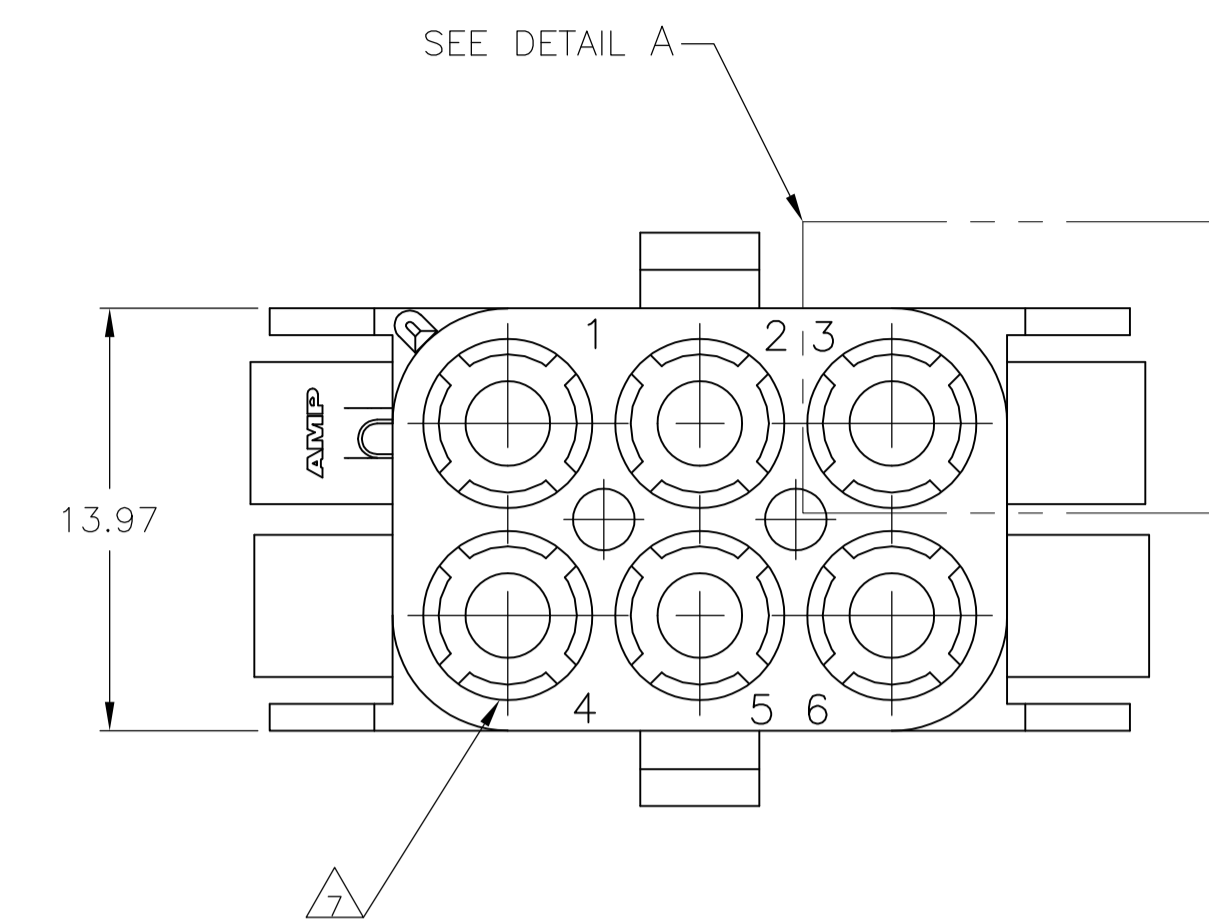
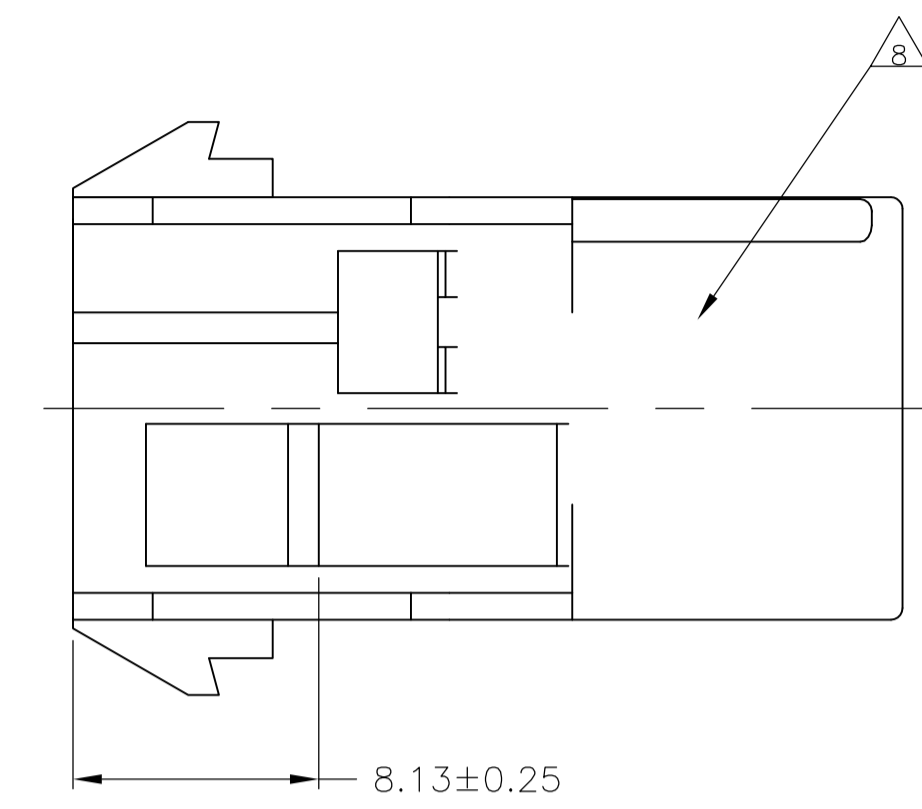
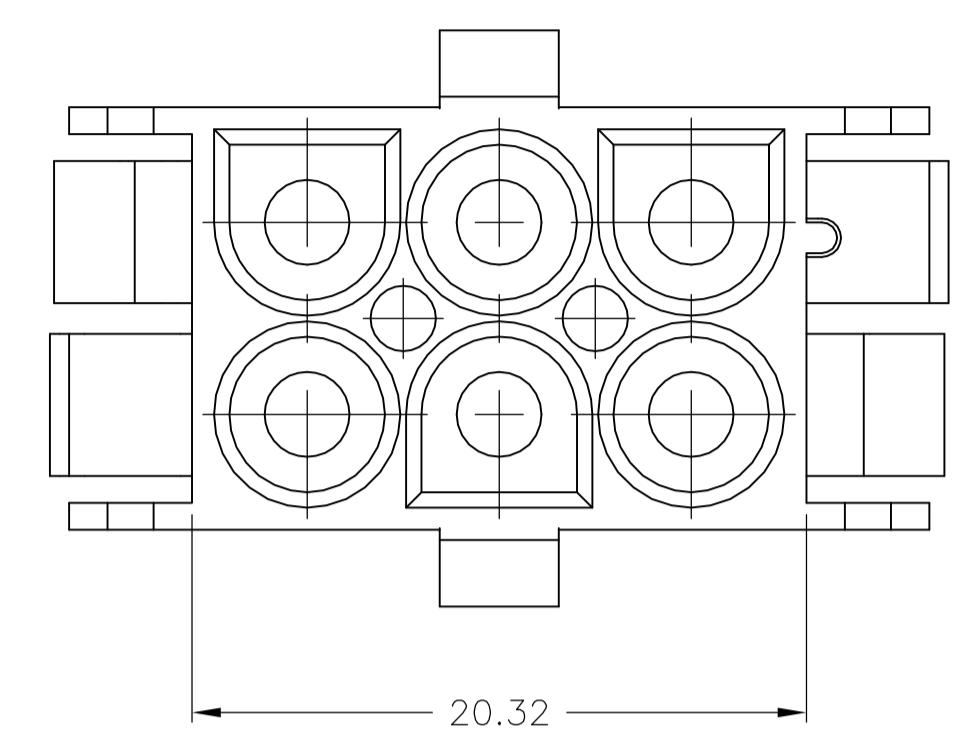
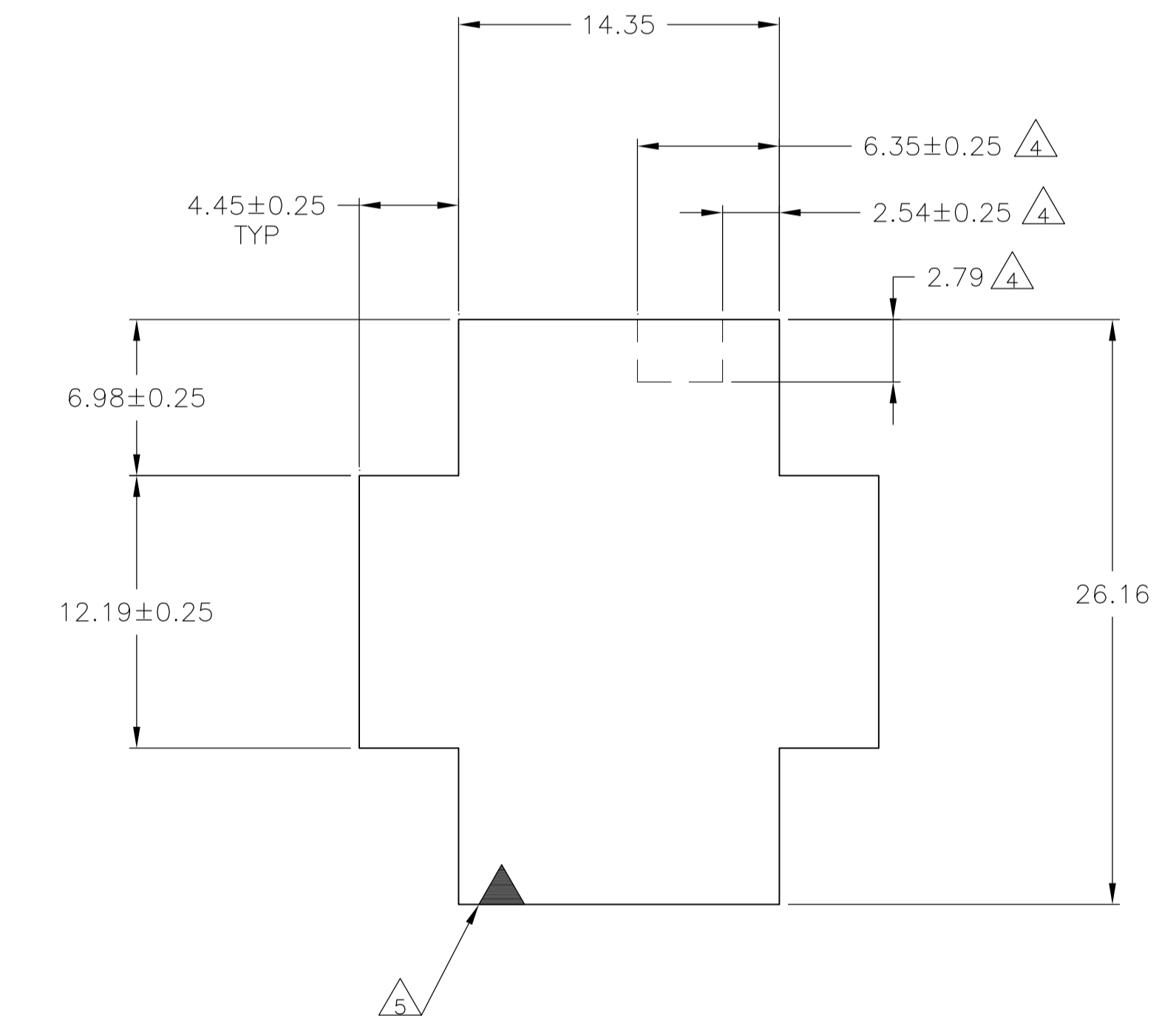
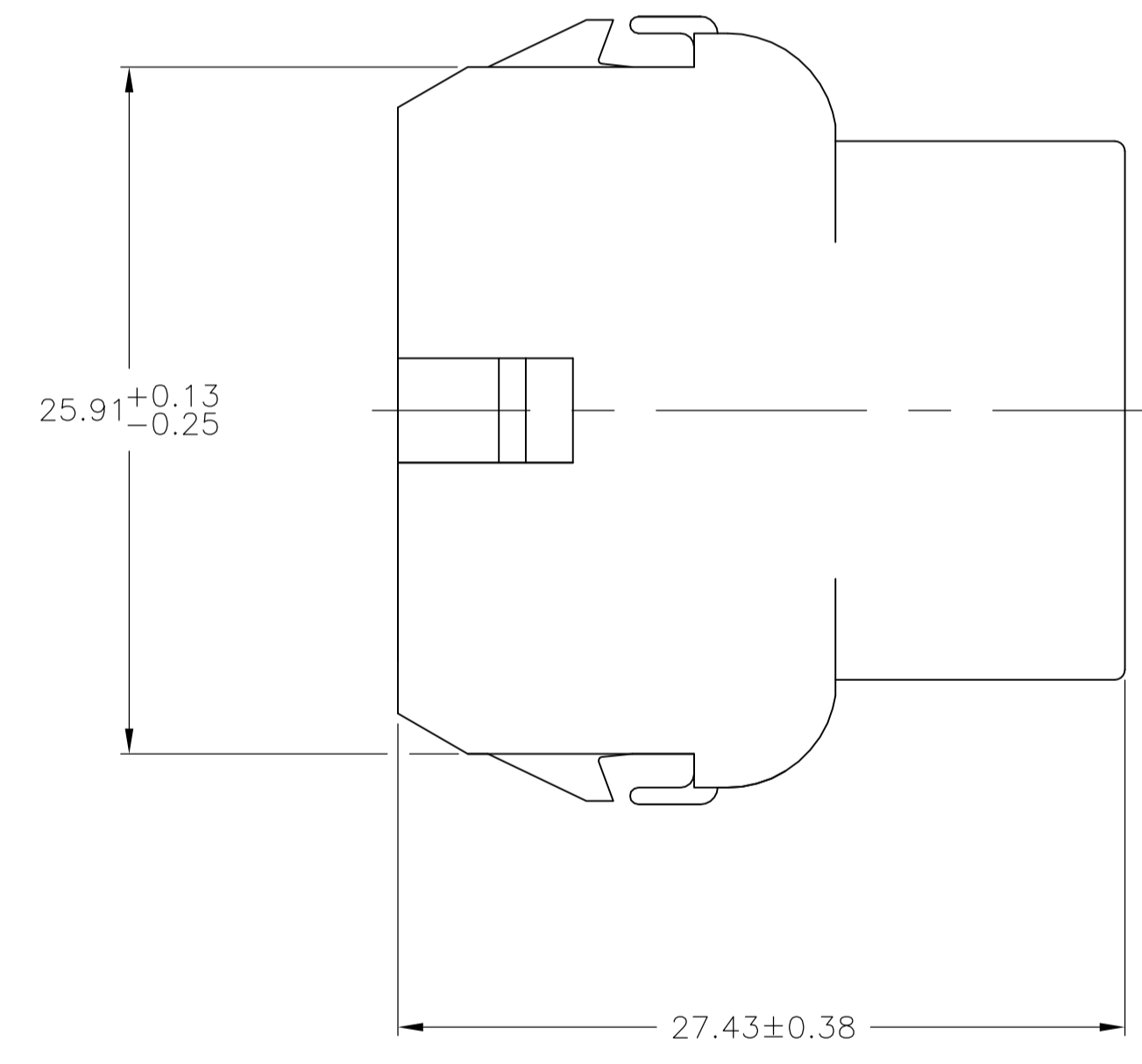
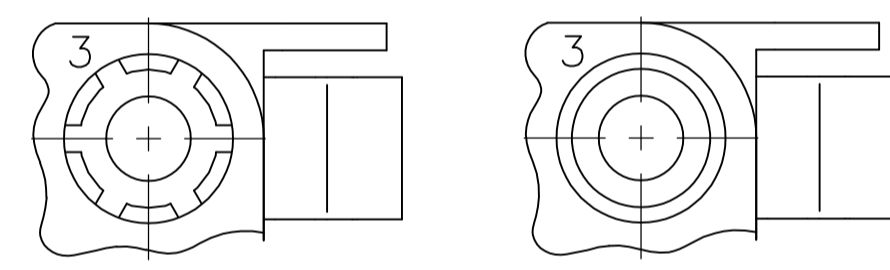


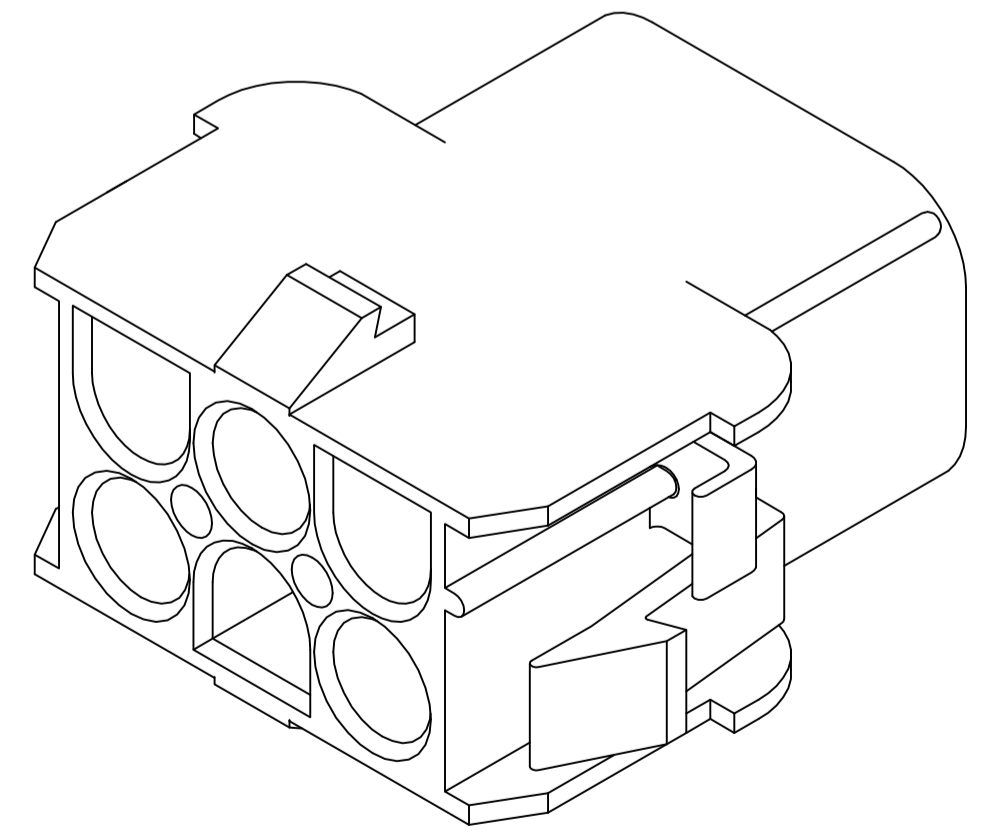
LOC	DIST	REVISIONS			
P	LTR	DESCRIPTION	DATE	DMN	APVD
CM	53	W4 REVISED PER ECR-17-006277	25MAY2017	BW	KR



1. MATES WITH APPROPRIATE UNIVERSAL MATE-N-LOK™ PLUG.
2. RECOMMENDED PANEL THICKNESS 0.76 - 2.29.
3. PANEL MUST BE PUNCHED SO THAT THE HOUSING ENTERS THE PANEL IN THE SAME DIRECTION AS THE PUNCH.
4. OPTIONAL FOR KEYING HOUSING IN PANEL.
5. CIRCUIT NUMBER 1 LOCATION.
6. DIMENSIONS SHOWN REPRESENT PRODUCT IN DRY, AS MOLDED, CONDITION. ADDITIONAL 2% GROWTH DUE TO SUBSEQUENT MOISTURE ABSORPTION MAY OCCUR AND SHOULD BE ACCOUNTED FOR.
7. FOUR RIBS EQUALLY SPACED, NO SPECIFIC ORIENTATION. NO RIBS OR SIX RIBS EQUALLY SPACED, NO SPECIFIC ORIENTATION, OPTIONAL.
8. UNDERWRITERS RECOGNIZED COMPONENT LOGO AND CSA CERTIFICATION LOGO TO BE LOCATED ONCE EACH ON SIDE OF HOUSING.



RECOMMENDED PANEL CUT OUT



3-DIMENSIONAL MODEL NTS

6.35	.250	27.43	1.080
4.45	.175	26.16	1.030
2.79	.110	25.91	1.020
2.54	.100	20.32	.800
2.29	.090	14.35	.565
0.76	.030	13.97	.550
0.38	.015	12.19	.480
0.25	.010	8.13	.320
0.13	.005	6.99	.275
MM	IN	MM	IN

CONVERSION TABLE

BLACK	1-350781-9
GRAY	1-350781-8
BLUE	1-350781-6
GREEN	1-350781-5
YELLOW	1-350781-4
ORANGE	1-350781-3
RED	1-350781-2
BROWN	1-350781-1
NATURAL	350781-1
COLOR	PART NUMBER

THIS DRAWING IS A CONTROLLED DOCUMENT.

DIMENSIONS: mm	TOLERANCES UNLESS OTHERWISE SPECIFIED:	DIN K. WHITAKER 29JUN92	CHK R. SWING 29JUN92	APVD D. SELF 02JUL92	NAME
0. PLC ± -	1. PLC ± -	APPROVED		CAP, 6 CIRCUIT, UNIVERSAL MATE-N-LOK™	
2. PLC ± 0.13	3. PLC ± -	APPROVED		APPLICATION SPEC	
4. PLC ± -	ANGLES ± 1°	APPROVED		MATERIAL NYLON, UL 94V-0	
FINISH -		WEIGHT		SIZE CAGE CODE DRAWING NO. RESTRICTED TO	
CUSTOMER DRAWING		SCALE 4:1		SHEET 1 OF 1 REV W4	

STE TE Connectivity

00779 350781