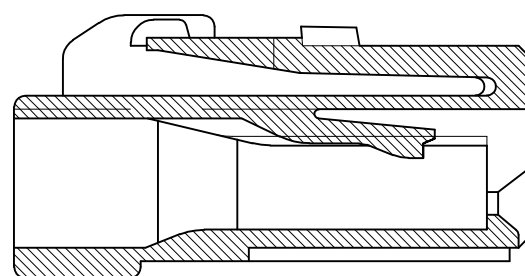
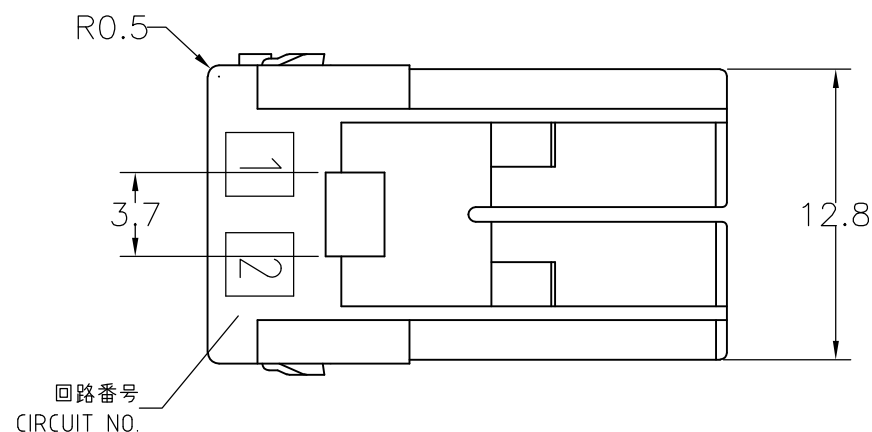
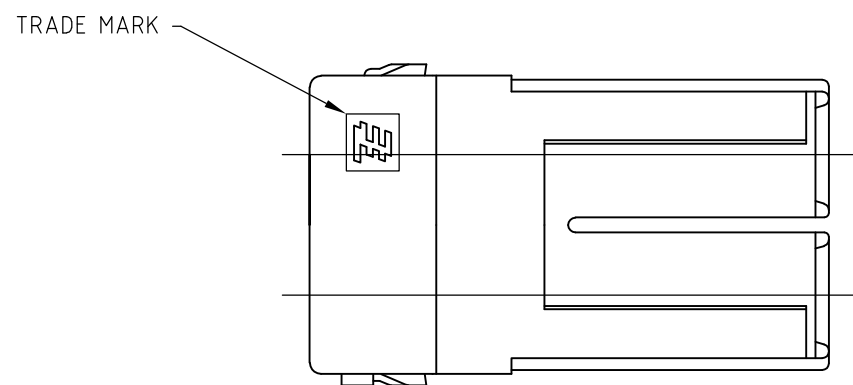
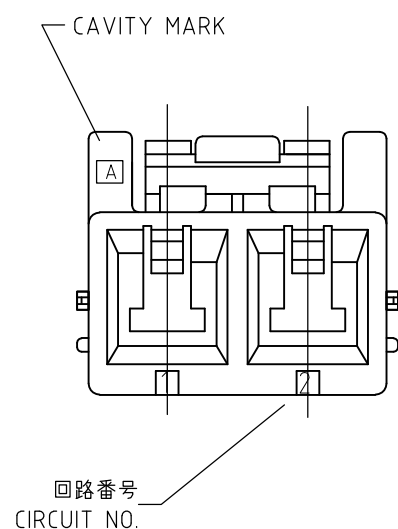
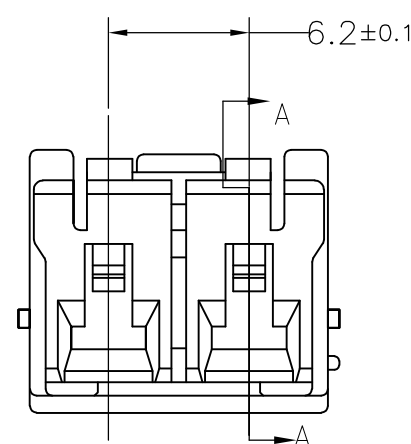
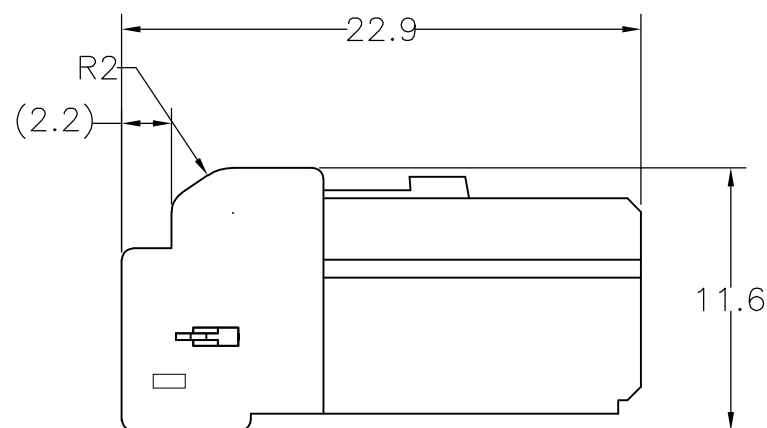


THIS DRAWING IS UNPUBLISHED. RELEASED FOR PUBLICATION  
 © COPYRIGHT BY TYCO ELECTRONICS CORPORATION. ALL RIGHTS RESERVED.

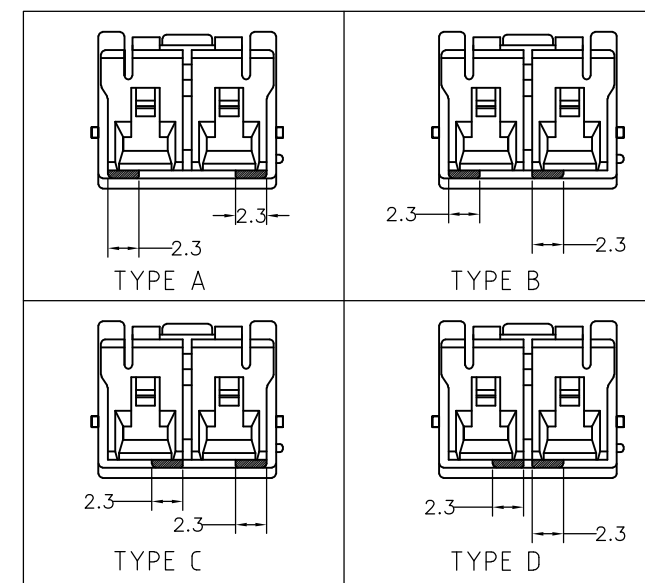
LOC	DIST	REVISIONS		
J	—	変更		
		P	LTR	DESCRIPTION
			B1	REVISED PER ECR-10-019978
				DATE
				01OCT10
				DWN
				HMR
				APVD
				TM



断面 A-A  
SECT A-A



TYPE OF KEYING



- 注) 1.一般公差:±0.25  
 2.材料: 66ナイロン ガラス無(UL94V-0)  
 3.適用リセコンタクト製品型番: 1746971-1  
 : 1746972-1

- △かん合相手製品型番  
 キャップハウジング: TABLE参照のこと  
 タブコンタクト: 1746973-1  
 1746974-1

- NOTES)  
 1.GENERAL TOLERANCE:±0.25  
 2.MATERIAL:66 NYLON NON-GLASS FILLED (UL94V-0)  
 3.APPLICABLE RECEPTACLE P/N: 1746971-1  
 : 1746972-1

- △ MATING CONN. P/N  
 CAP HOUSING:SEE TABLE  
 TAB CONTACT ;1746973-1  
 1746974-1

1746977-1	A	NATURAL	1746975-1
△ MATING HSG P/N	KEYING TYPE	COLOR	P/N

THIS DRAWING IS A CONTROLLED DOCUMENT.		DWN A.OISHI 17MAY2004	Tyco Electronics AMP K.K. Kawasaki,Japan	
DIMENSIONS: 単位: 耗 MM		CHK N.YAMASAKI 17MAY2004	NAME 名称	
TOLERANCES UNLESS OTHERWISE SPECIFIED: 一般公差		APVD S.MANABE 17MAY2004	GRACE INERTIA CONNECTOR 6.2MM PITCH 2POS PLUG HOUSING	
0 PLC ± - 1 PLC ± - 2 PLC ± - 3 PLC ± - 4 PLC ± - ANGLES ± -		PRODUCT SPEC 製品規格 108-5979	RESTRICTED TO	
MATERIAL 材料 66NYLON(UL94V-0)		FINISH 仕上	APPLICATION SPEC 取付適用規格 114-5356	SCALE 尺度 3:1
		WEIGHT -	SIZE A3	CAGE CODE 00779
		DRAWING NO 番号 G-1746975		SHEET 1 OF 1
		CUSTOMER DRAWING		REV B1