

4

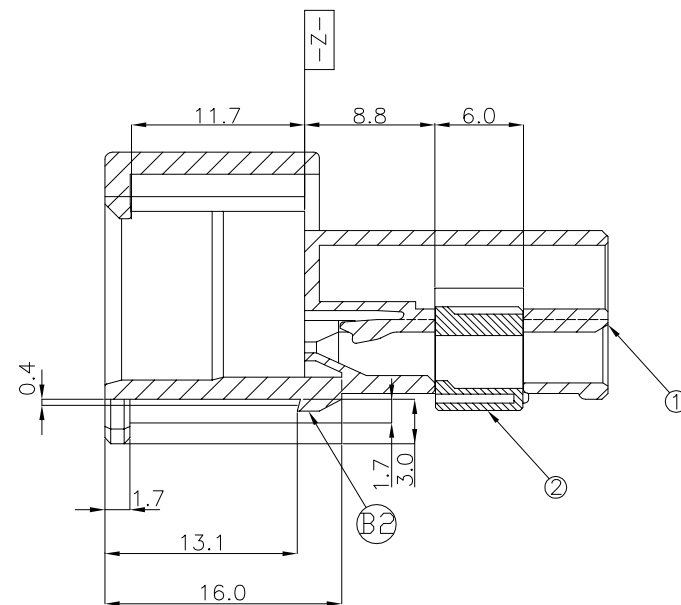
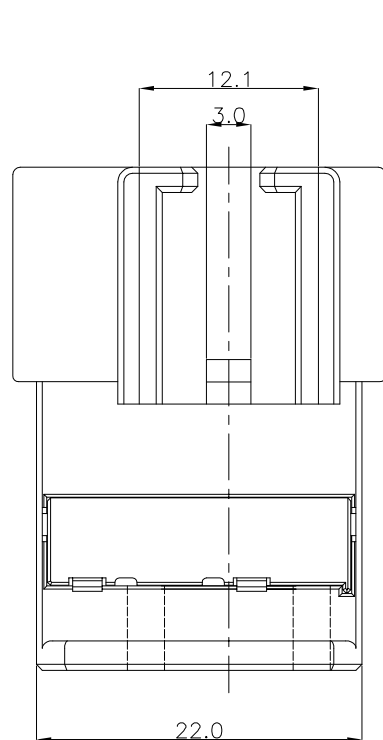
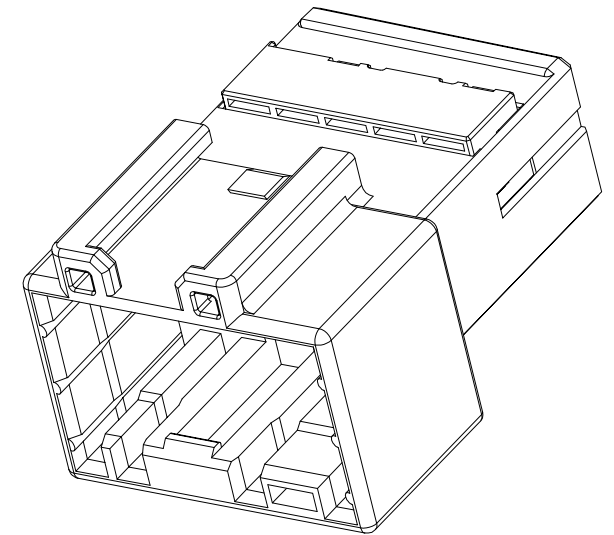
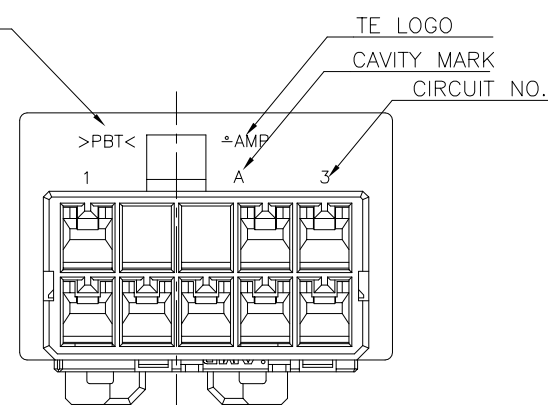
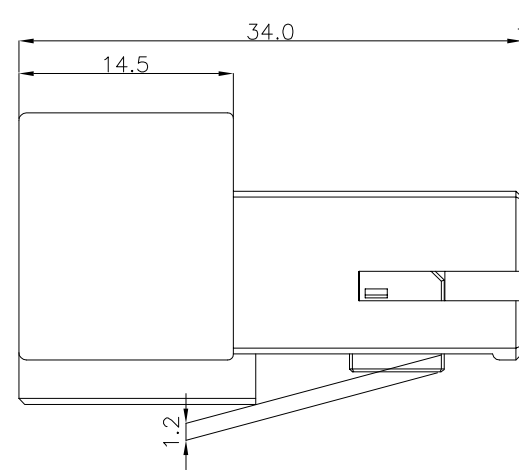
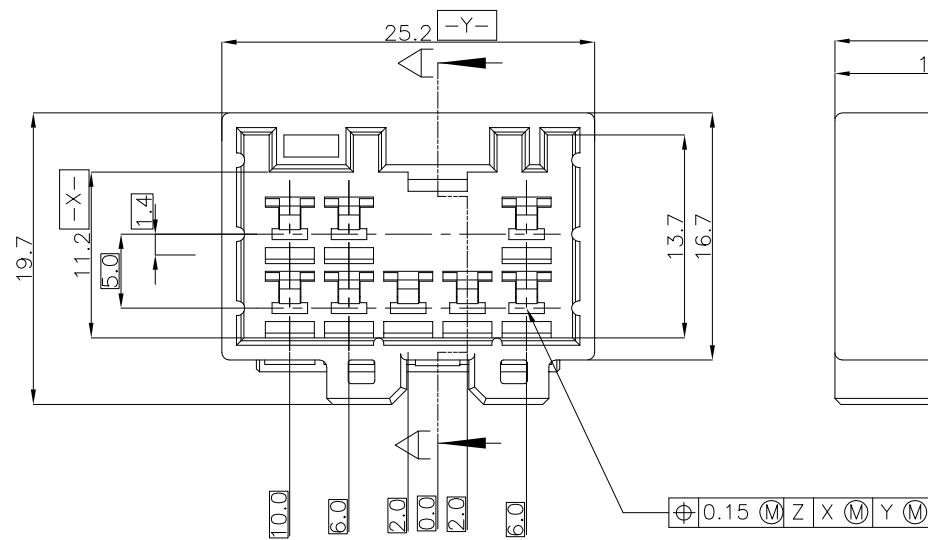
3

2

1

THIS DRAWING IS UNPUBLISHED. RELEASED FOR PUBLICATION
COPYRIGHT BY TYCO ELECTRONICS CORPORATION, ALL RIGHTS RESERVED.

LOC	DIST	REVISIONS					
		P	LTR	DESCRIPTION	DATE	DWN	APVD
DS	-		B	REVISED (ECR-07-023595)	08.OCT.'07	KT	JK
			B1	REVISED (ECR-09-005035)	24.MAR.'09	KT	HG
			B2	REVISED (ECR-10-007925)	22.APR'10	WY	JK



SECTION A-A

NOTES.

- 1. THE MATING HSG. P/N ; 936233 (B1)
- 2. APPLIED CONTACT P/N ; 090 II TAB. - 368086, 368087, 368088, 1897752

-주기-

- 1. 상대 하우징 P/N. ; 936233 (B1)
- 2. 적용단자 P/N. ; 090 II TAB.- 368086, 368087, 368088, 1897752

ASSY P/N
0-936242-8
0-936242-7
0-936242-6
0-936242-5
0-936242-4
0-936242-3
0-936242-2
0-936242-1

NO	COLOR	MATERIAL	DESCRIPTION	P/N	QTY
1	BLUE	PBT	CAP	0-936243-8	1
	GREEN	PBT	CAP	0-936243-7	1
	RED	PBT	CAP	0-936243-6	1
	YELLOW	PBT	CAP	0-936243-5	1
	BROWN	PBT	CAP	0-936243-4	1
	D/GRAY	PBT	CAP	0-936243-3	1
	BLACK	PBT	CAP	0-936243-2	1
	NATURAL	PBT	CAP	0-936243-1	1
2	NATURAL	PBT	DBL	0-936235-1	1 1 1 1 1 1 1 1

DIMENSIONS: MM		TOLERANCES UNLESS OTHERWISE SPECIFIED:	
		0 <XX<10 ± 0.2 10<XX<30 ± 0.25 30<XX ± 0.3 ANGLES ± 3°	
MATERIAL		FINISH	
SEE TABLE			

THIS DRAWING IS A CONTROLLED DOCUMENT FOR TYCO ELECTRONICS CORPORATION IT IS SUBJECT TO CHANGE AND THE CONTROLLING ENGINEERING ORGANIZATION SHOULD BE CONTACTED FOR THE LATEST REVISION.

DWN WY JANG
CHK JW JUNG
APVD JK SONG
PRODUCT SPEC -
APPLICATION SPEC -
WEIGHT -

TE TE Connectivity

NAME: 090III 8P CAP ASS'Y

SIZE: A3 CAGE CODE: 00779 DRAWING NO: C-936242 RESTRICTED TO: -

CUSTOMER DRAWING SCALE: 2/1 SHEET 1 OF 1 REV: B1