

4

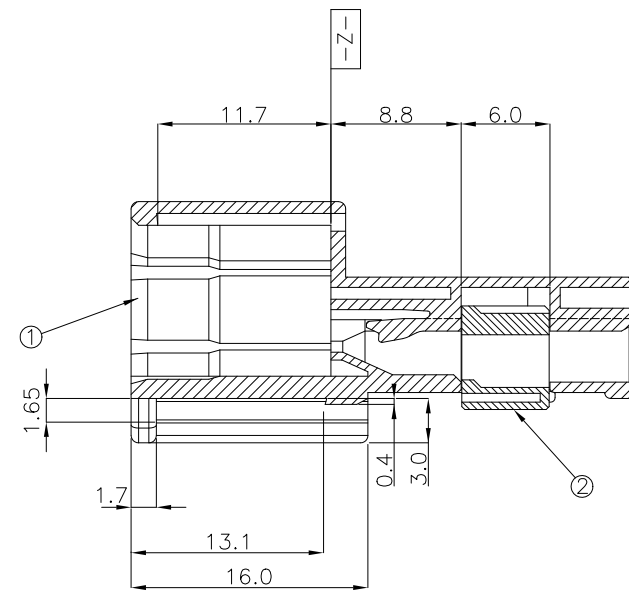
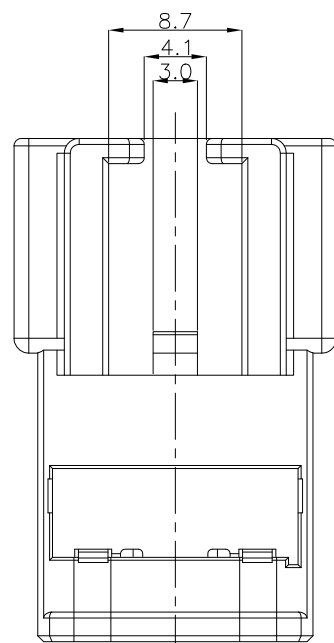
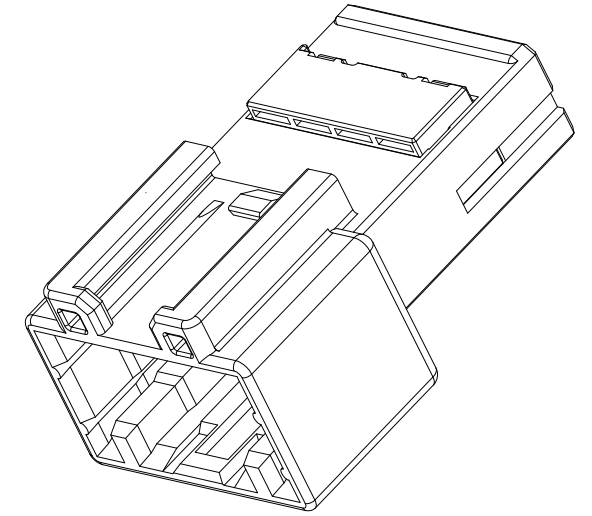
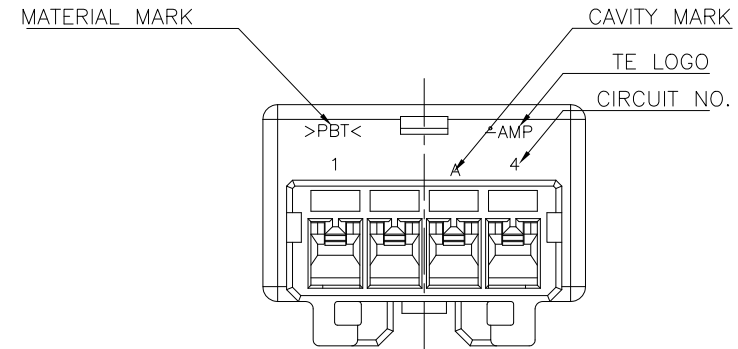
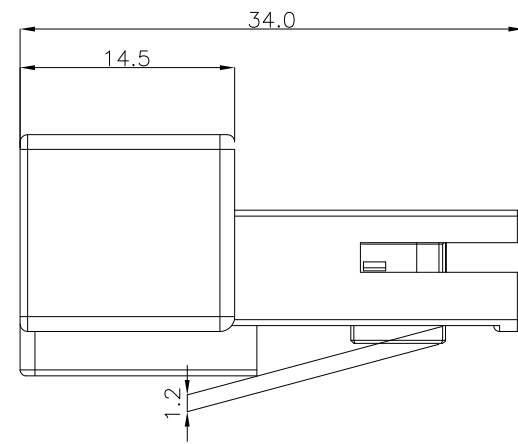
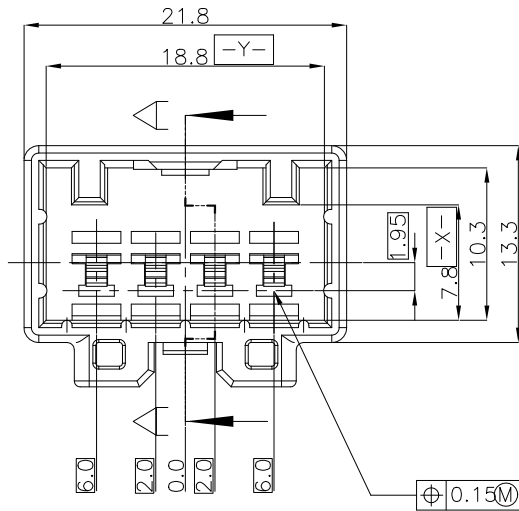
3

2

1

THIS DRAWING IS UNPUBLISHED. RELEASED FOR PUBLICATION
© COPYRIGHT BY TYCO ELECTRONICS CORPORATION, ALL RIGHTS RESERVED.

LOC	DIST	REVISIONS					
		P	LTR	DESCRIPTION	DATE	DWN	APVD
DS	-		B	REVISED (ECR-08-015583)	20.JUN.'08	KT	HG
			B1	REVISED (ECR-09-005035)	24.MAR.'09	KT	HG



SECTION A-A

NOTES.

1. THE MATING HSG. P/N ; 936227
2. APPLIED CONTACT P/N ; 090 II TAB. - 368086, 368087, 368088, 1897752

-주기-

1. 상대 하우징 P/N ; 936227
2. 적용단자 P/N ; 090 II TAB. - 368086, 368087, 368088, 1897752

ASSY P/N
0-936238-8
0-936238-7
0-936238-6
0-936238-5
0-936238-4
0-936238-3
0-936238-2
0-936238-1

NO	COLOR	MATERIAL	DESCRIPTION	P/N	QTY
1	BLUE	PBT	CAP	0-936239-8	1
	GREEN	PBT	CAP	0-936239-7	1
	RED	PBT	CAP	0-936239-6	1
	YELLOW	PBT	CAP	0-936239-5	1
	BROWN	PBT	CAP	0-936239-4	1
	D/GRAY	PBT	CAP	0-936239-3	1
	BLACK	PBT	CAP	0-936239-2	1
	NATURAL	PBT	CAP	0-936239-1	1
2	NATURAL	PBT	DBL	0-936270-1	1 1 1 1 1 1 1 1

THIS DRAWING IS A CONTROLLED DOCUMENT FOR TYCO ELECTRONICS CORPORATION IT IS SUBJECT TO CHANGE AND THE CONTROLLING ENGINEERING ORGANIZATION SHOULD BE CONTACTED FOR THE LATEST REVISION.

DIMENSIONS: MM	TOLERANCES UNLESS OTHERWISE SPECIFIED: 0 <XX<10 ± 0.2 10<XX<30 ± 0.25 30<XX ± 0.3 ANGLES ± 3°
MATERIAL	FINISH
SEE TABLE	

DWN KT JUNG
CHK JW JUNG
APVD HG CHD
PRODUCT SPEC -
APPLICATION SPEC -
WEIGHT -

Tyco Electronics AMP KOREA, Kyungsan, Korea
NAME: 090III 4P CAP ASS'Y

SIZE: A3 CAGE CODE: 00779 DRAWING NO: C-936238 RESTRICTED TO: -

CUSTOMER DRAWING SCALE: 2/1 SHEET: 1 OF 1 REV: B1