

4

3

2

1

THIS DRAWING IS UNPUBLISHED.

RELEASED FOR PUBLICATION

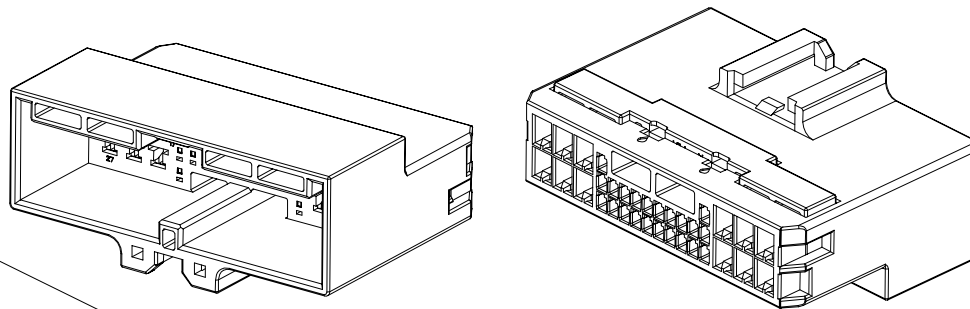
2012

© COPYRIGHT 2009 BY TE CONNECTIVITY

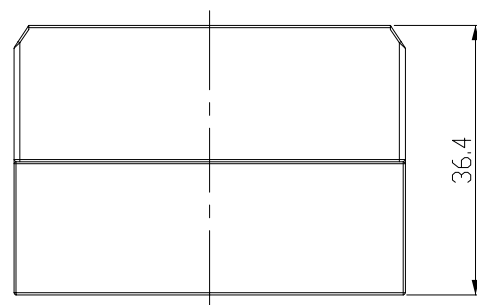
ALL RIGHTS RESERVED.

REVISIONS

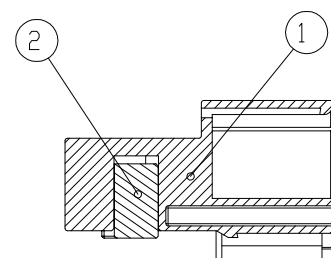
P	LTR	DESCRIPTION	DATE	DWN	APVD
C		REVISED (ECR-15-010373)	10.JUL.15	JM	HG



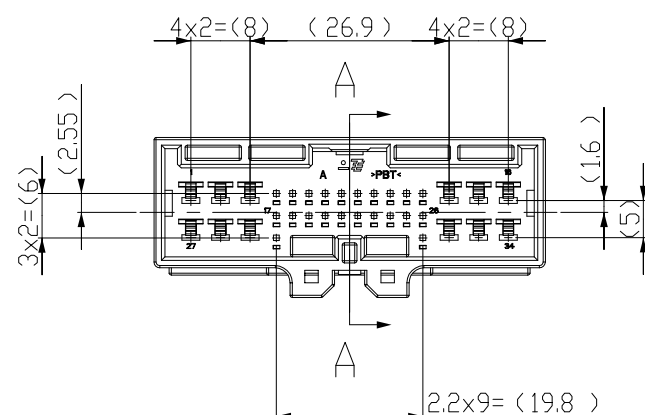
ISOMETRIC VIEW



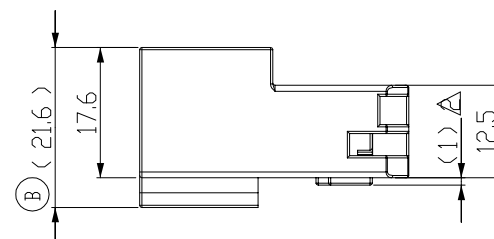
36.4



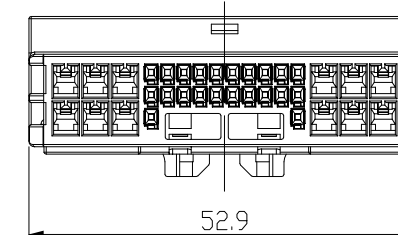
SECTION A-A



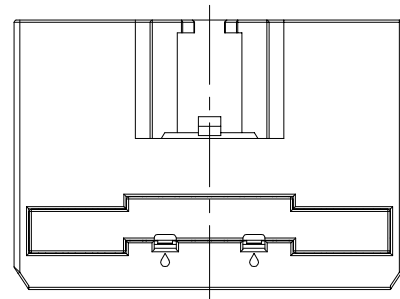
4x2=(8) (26.9) 4x2=(8)
3x2=(6) (2.55) (1.6) (5)
2.2x9=(19.8)



(B) (21.6) 17.6 (1) A 12.5



52.9



<TABLE 1>

TYPE	FINISH	P/N	WIRE RANGE(mm) ₂
.025	PRE-TIN	2005098-1	0.22
		2005154-1	0.37~0.56
.090	PRE-TIN	1897752-1	0.22~0.56
		368088-1	0.3~0.5
		368087-1	0.85~1.25
		368086-1	2.0~2.5

NOTE
 1.GENERAL TOLERANCE: ±0.3, ±3°
 2.CONDITION OF DELIVERY
 DBL IN 1st LOCKING POSITION
 3.APPLICABLE PLUG ASS'Y P/N:x-2005431-x
 4.APPLICABLE TAB CONTACT P/N:<TABLE 1>

NO	FINISH/COLOR	MATERIAL	DESCRIPTION	Q'TY
1	WHITE	PBT	CAP DBL HSG	1
	RED	PBT	CAP HSG	1
	BROWN	PBT	CAP HSG	1
	WHITE	PBT	CAP HSG	1
				1

DESCRIPTION	ASS'Y P/N
HYB 34P CAP ASS'Y	2005434-6
HYB 34P CAP ASS'Y	2005434-4
HYB 34P CAP ASS'Y	2005434-1

THIS DRAWING IS A CONTROLLED DOCUMENT.

DWN

JM JEON

CHK

JW JUNG

APVD

HG CHO

PRODUCT SPEC

APPLICATION SPEC

WEIGHT

CUSTOMER DRAWING



TE Connectivity

025/090 HYBRID 34P CAP ASS'Y

DIMENSIONS:

mm


MATERIAL
SEE TABLE

TOLERANCES UNLESS OTHERWISE SPECIFIED:

0 PLC	±
1 PLC	±
2 PLC	±
3 PLC	±
4 PLC	±
ANGLES	±
FINISH	±

NAME

APVD

HG CHO

PRODUCT SPEC

APPLICATION SPEC

WEIGHT

CUSTOMER DRAWING

SIZE

CAGE CODE

DRAWING NO

RESTRICTED TO

A3

00779

C-2005434

-

SCALE

1:1

SHEET

1 OF 1

REV

C

1470-19 (3/13)