

4

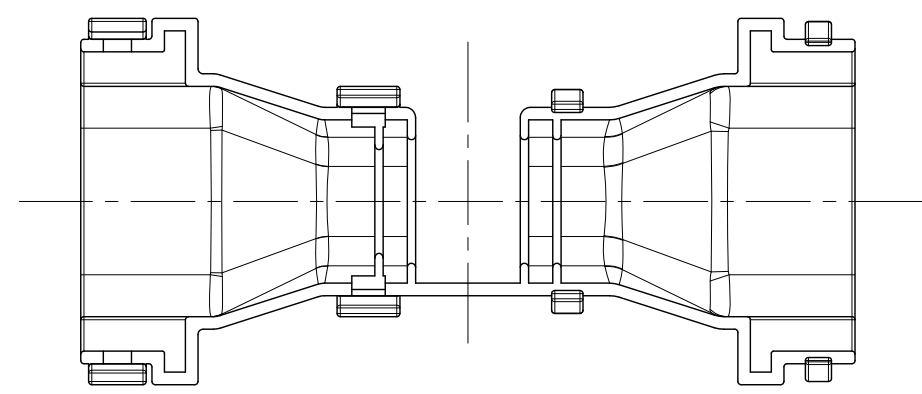
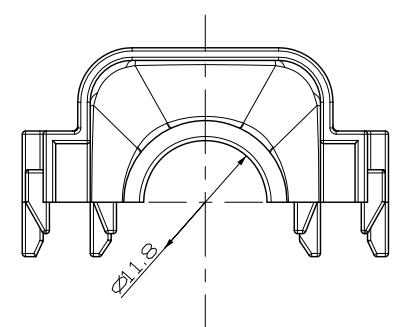
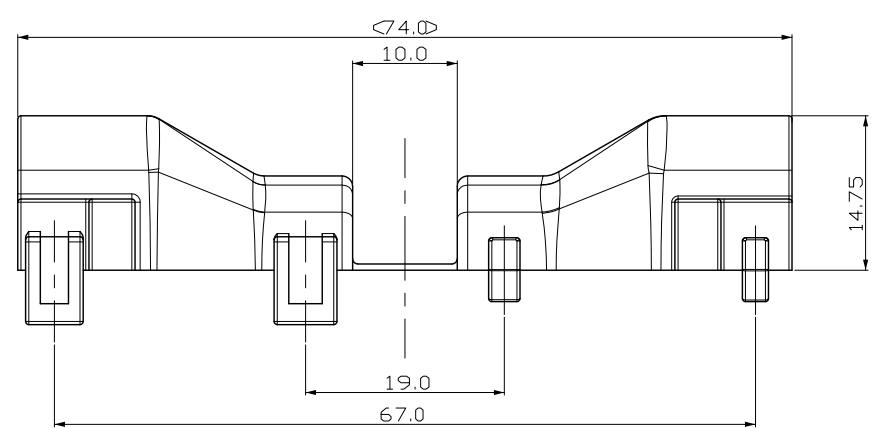
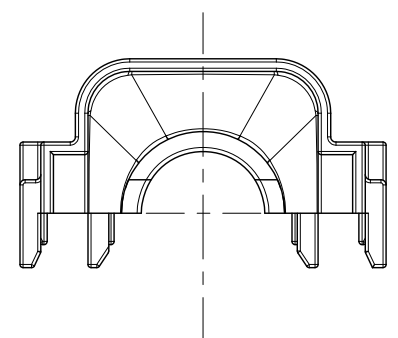
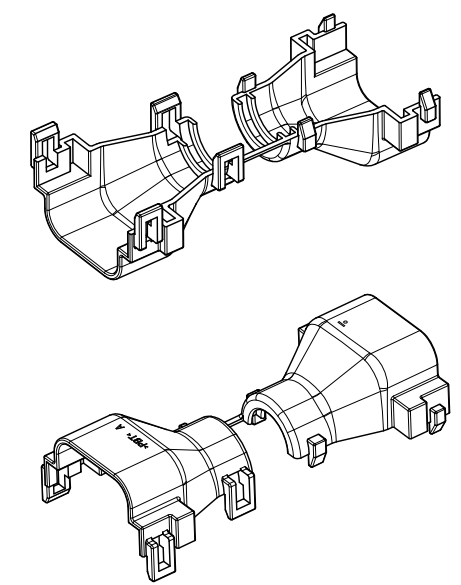
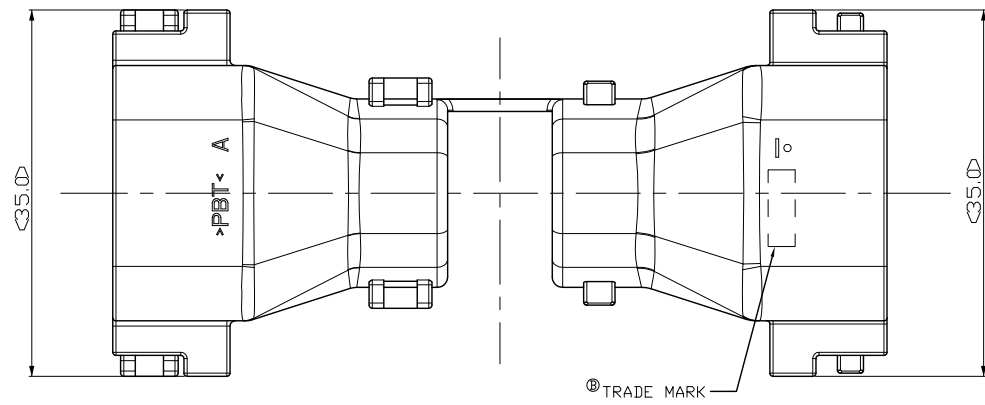
3

2

1

THIS DRAWING IS UNPUBLISHED. RELEASED FOR PUBLICATION
 © COPYRIGHT BY TYCO ELECTRONICS CORPORATION. ALL RIGHTS RESERVED.

LOC		DIST		REVISIONS			
DS	—	P	LTR	DESCRIPTION	DATE	DWN	APVD
		B		REVISED (ECR-10-026443)	29.DEC.'10	SJ	HG



- NOTES
 1. GENERAL TOLERANCE : $\pm 0.3, \pm 3^\circ$
 2. APPLICABLE CONNECTOR P/N : X-1743350-X
 3. APPLICABLE CORRUGATE TUBE : $\varnothing 11\text{mm}$
 4. APPLICATION TEST SPEC : MS210-06C(EXCEPT 4.4)

1743355-2	WIRE COVER HSG	PBT	BLACK
P/N	DESCRIPTION	MATERIAL	COLOR

THIS DRAWING IS A CONTROLLED DOCUMENT FOR TYCO ELECTRONICS CORPORATION. IT IS SUBJECT TO CHANGE AND THE CONTROLLING ENGINEERING ORGANIZATION SHOULD BE CONTACTED FOR THE LATEST REVISION.

DIMENSIONS: MM	TOLERANCES UNLESS OTHERWISE SPECIFIED	DWN SJ CHOI	
 3rd ANGLE PROJECTION MATERIAL SEE TABLE	0 PLC \pm 1 PLC \pm 2 PLC \pm 3 PLC \pm 4 PLC \pm ANGLES \pm FINISH	CHK JW JANG APVD HG CHO PRODUCT SPEC APPLICATION SPEC WEIGHT	

SCALE 2:1 SHEET 1 OF 1 REV B