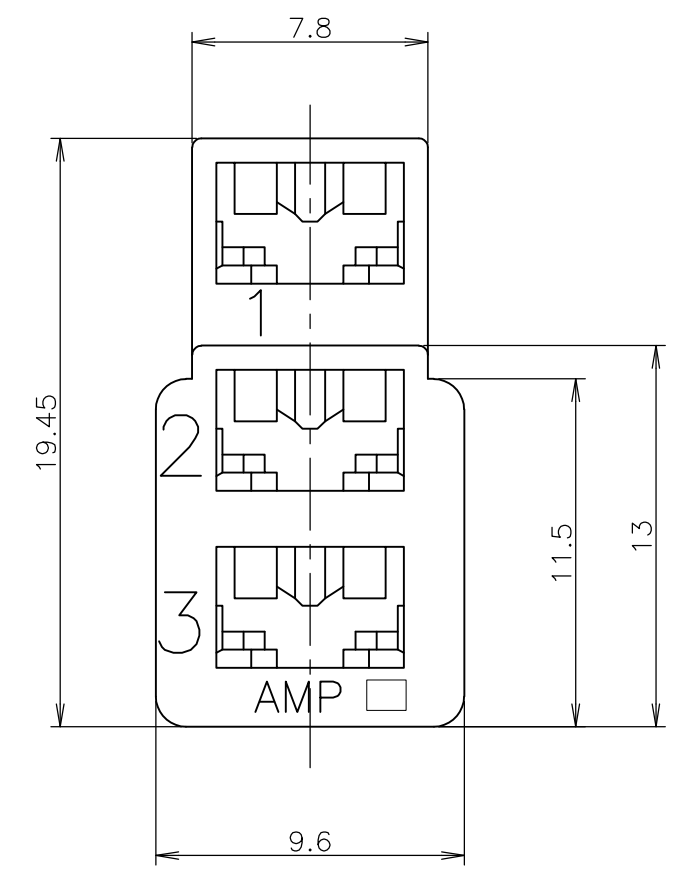
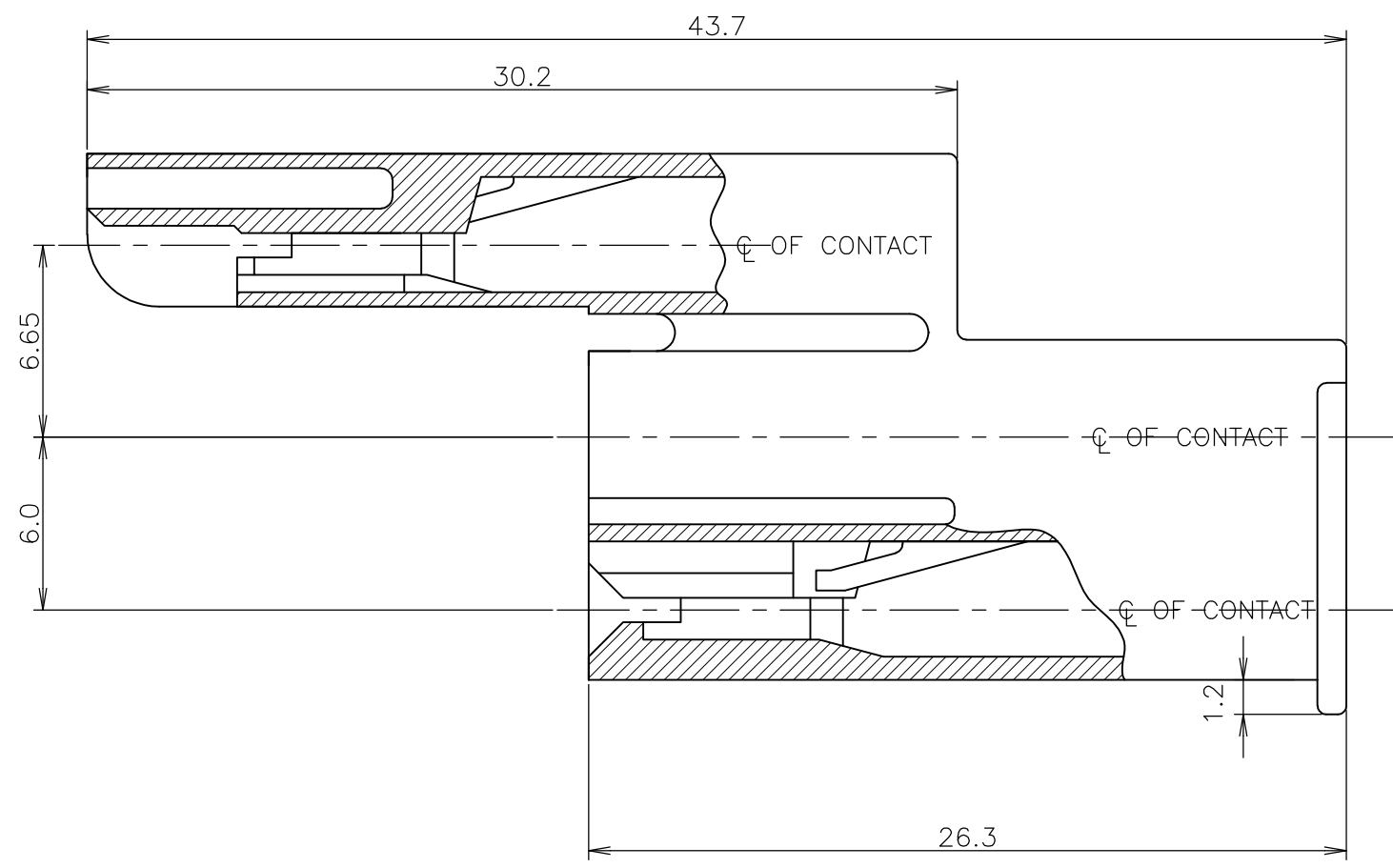
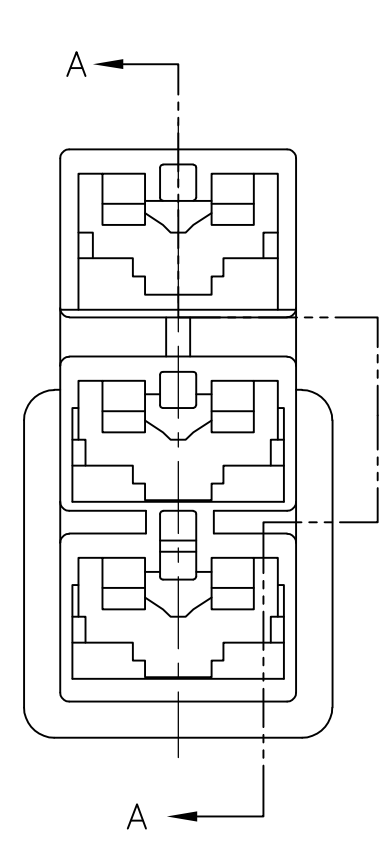


THIS DRAWING IS UNPUBLISHED. RELEASED FOR PUBLICATION DEC, 1979.  
 © COPYRIGHT 1979 By Tyco Electronics Japan G.K. ALL RIGHTS RESERVED.

REVISIONS 変更				
P	LTR	DESCRIPTION	DATE	APVD
	E3	REVISED PER ECR-16-007334	23MAY2016	NK LP



SECTION A-A

- 1 PRODUCT SPEC : 108-5126
- 2 APPLIED CONTACT P/N : 170324,170325,170326
- 3 THIS CONNECTOR APPLIED FOR 3 POS. MICRO SWITCH.
- 4 SEE CP79-25225 FOR APPLIED TAB.
- △ MATERIAL : 6/6 NYLON (94V-2)
- △ MATERIAL : 6/6 NYLON (94V-0)
- △ OBSOLETE PARTS : OBSOLETE CIS STREAMLINING PER D.RENAUD/D.SINISI

△ OBSOLETE	4-172075-7	△ 6	(RED)
	1-172075-6	△ 6	(BLUE)
△ OBSOLETE	4-172075-5	△ 6	(GREEN)
△ OBSOLETE	1-172075-4	△ 6	(YELLOW)
	1-172075-1	△ 6	(NATURAL)
	172075-7	△ 5	(RED)
	172075-6	△ 5	(BLUE)
	172075-5	△ 5	(GREEN)
	172075-4	△ 5	(YELLOW)
	172075-1	△ 5	(NATURAL)
	PART NUMBER		(COLOR)

THIS DRAWING IS A CONTROLLED DOCUMENT.		DWN H.YAMADA 12DEC1979	TE Connectivity	
DIMENSIONS: 単位: 耗 mm		CHK A.TOMITA 12DEC1979		
TOLERANCES UNLESS OTHERWISE SPECIFIED: 一般公差		APVD Y.SATO 08APR1980	NAME 名称 187 SERIES 3 POS. POSITIVE LOCK MK-II HSG 187シリーズ 3極ポジティブロック マークIIハウジング	
0-PLC ±— 1-PLC ±0.4 2-PLC ±— 3-PLC ±— 4-PLC ±— ANGLES ±—		PRODUCT SPEC 製品規格	SIZE A3	CAGE CODE 00779
MATERIAL 注記参照 材料 SEE NOTES △△		FINISH 仕上	DRAWING NO 番号 C-172075	
		WEIGHT	RESTRICTED TO —	
		CUSTOMER DRAWING	SCALE 尺度 4:1	SHEET 1 OF 1
			REV E3	

PROJ.NO. 716-211

A