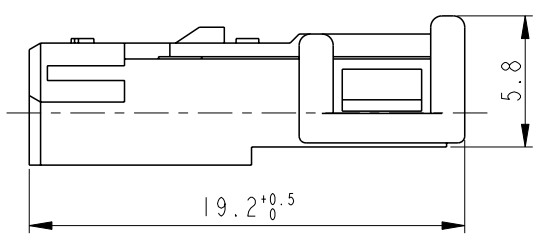
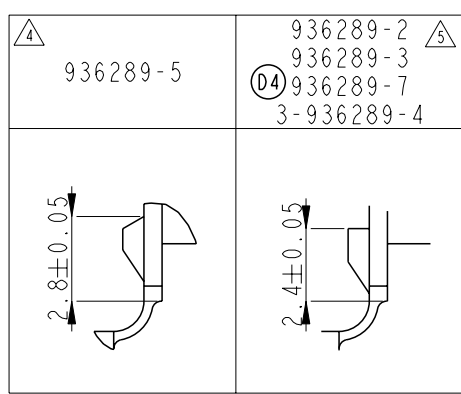
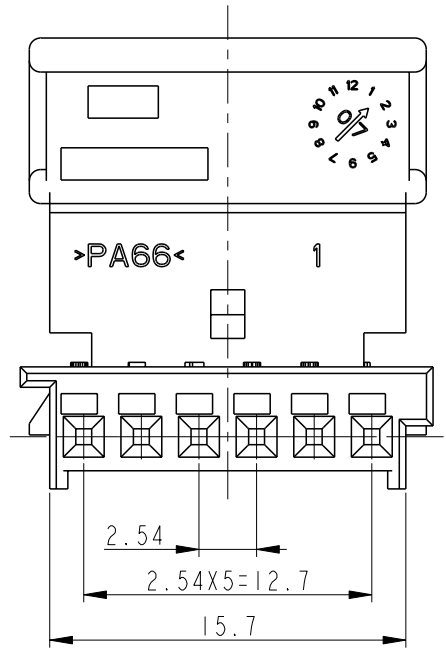
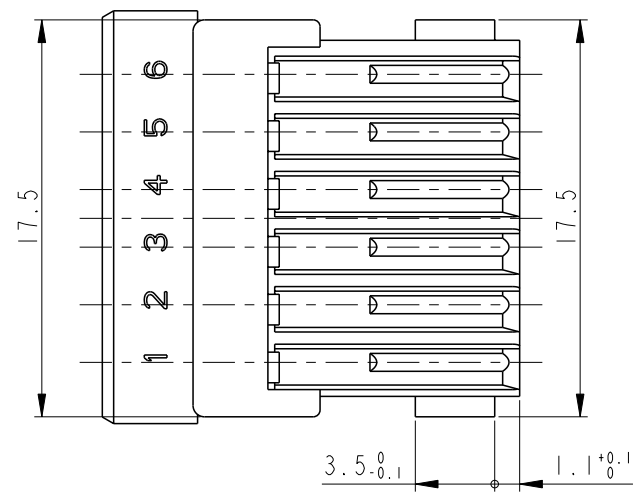
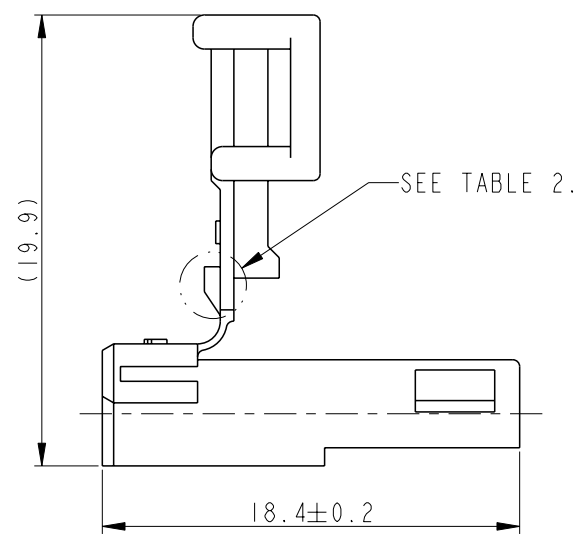


THIS DRAWING IS UNPUBLISHED. RELEASED FOR PUBLICATION 2016
 © COPYRIGHT 2003 BY TE Connectivity ALL RIGHTS RESERVED.

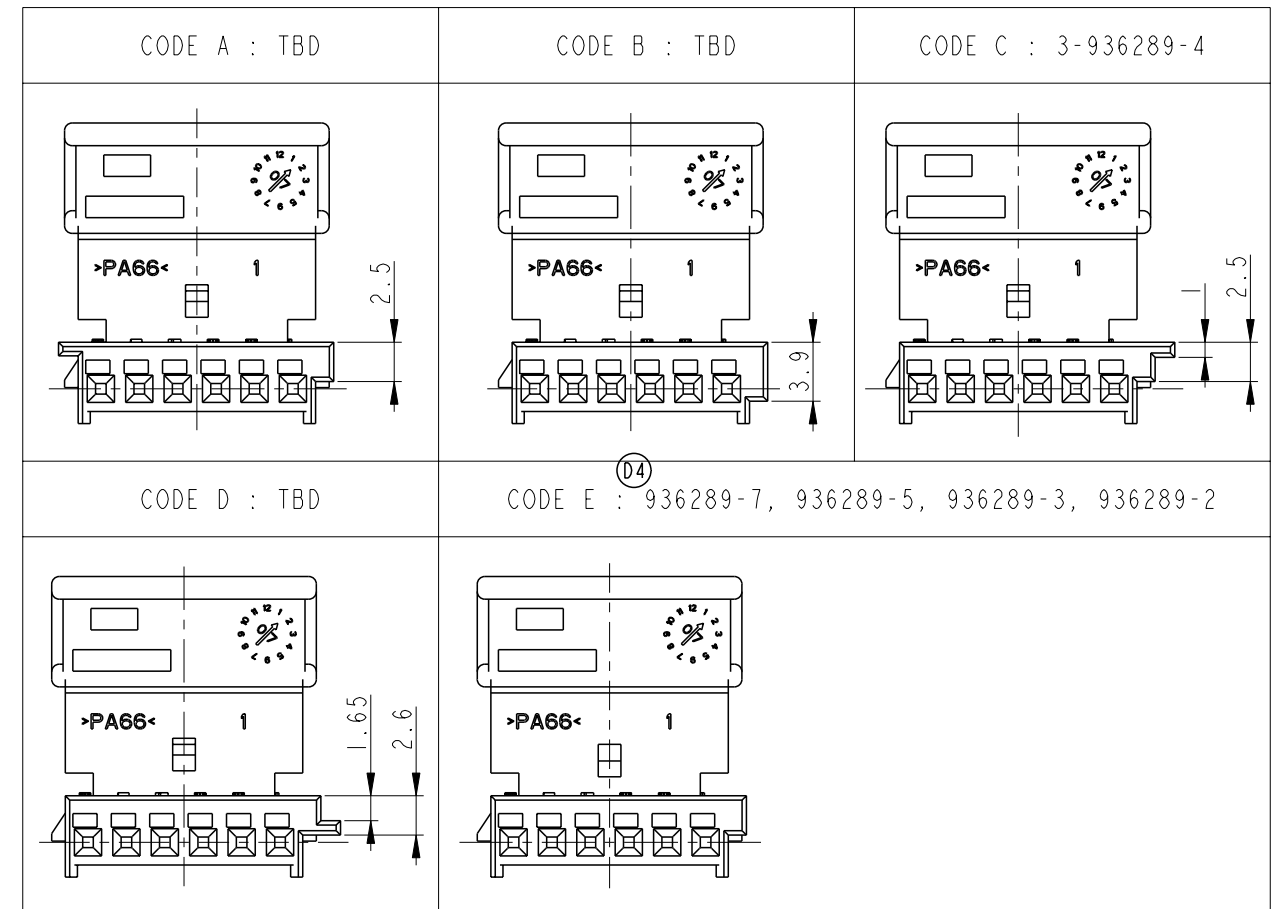
P	LTR	DESCRIPTION	DATE	DWN	APVD
D2		REVISED (ECR-16-004121)	21.MAR.'16	JM	JW
D3		REVISED (ECR-16-009804)	07JUL2016	JM	JW
D4		REVISED (ECR-17-000376)	10JAN2017	JM	JW
D5		REVISED (ECR-17-014365)	28SEP2017	HH	YJ



IN CLOSED POSITION



(TABLE 1) SCALE 2:1



- NOTE
1. BE MATED WITH HEADER HSG (P/N : 936287) SMOOTHLY
 2. CODE IS AS FOLLOWS: SEE TABLE 1.
 3. APPLICABLE RECEPTACLE CONTACT P/N

PART NO.	DESCRIPTION	WIRE SIZE(mm ²)
928999-1	MQS RECEPTACLE TML (SOCKET CONTACT)	0.2 ~ 0.5
963715-1	MQS RECEPTACLE TML (SOCKET CONTACT)	0.75

MQS CONTACT(AVX: 0.5mm² / AVSS-X: 0.75mm²)
 LOCKING FORCE : MIN 4kgf (FORCE WITH FULL PINS APPLIED, ONLY EXPORT)
 LOCKING FORCE : OVER 8kgf

GENERAL TOLERANCES	
10 MAX	±0.3
10 OVER 30 MAX	±0.2
30 OVER 100 MAX	±0.25
ANGLES	±3°



THIS DRAWING IS A CONTROLLED DOCUMENT.

DIMENSIONS:	TOLERANCES UNLESS OTHERWISE SPECIFIED:
mm	0 PLC ±
	1 PLC ±
	2 PLC ±
	3 PLC ±
	4 PLC ±
	ANGLES ±
MATERIAL	FINISH -
SEE TABLE	

DWN	JM JEON
CHK	-
APVD	JW JUNG
PRODUCT SPEC	-
APPLICATION SPEC	-
WEIGHT	-
CUSTOMER DRAWING	

TE TE Connectivity			
NAME MQS. SOCKET HOUSING 6POS			
SIZE	CAGE CODE	DRAWING NO	RESTRICTED TO
A3	00779	C-936289	-
SCALE 3:1		SHEET 1 OF 1	REV D5

Mouser Electronics

Authorized Distributor

Click to View Pricing, Inventory, Delivery & Lifecycle Information:

[TE Connectivity:](#)

[936289-2](#)