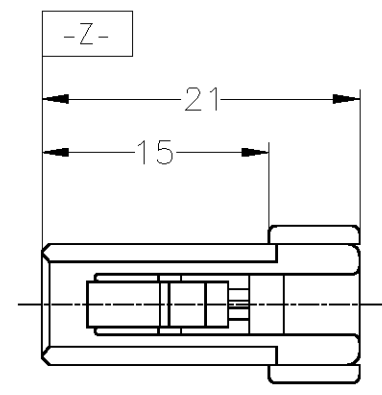
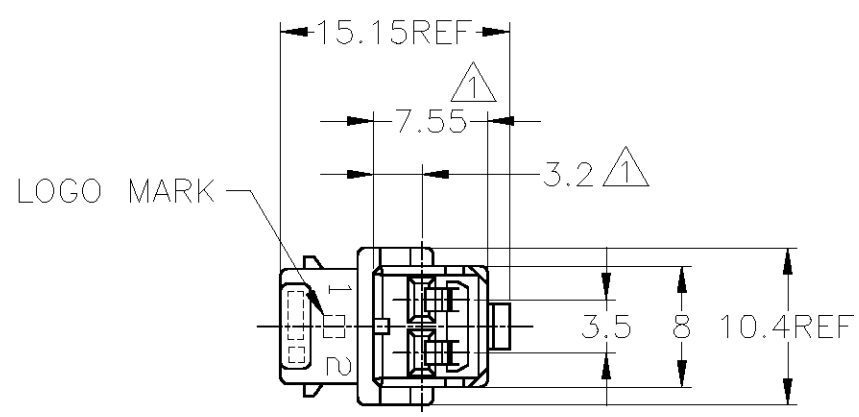


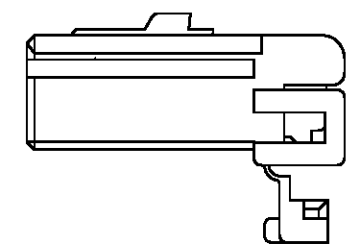
THIS DRAWING IS UNPUBLISHED. RELEASED FOR PUBLICATION
 © COPYRIGHT - By - ALL RIGHTS RESERVED.

LOC	DIST	REVISIONS					
		P	LTR	DESCRIPTION	DATE	DWN	APVD
J	-	G5	REVISED	ECR-14-013120	05SEP2014	TS	RK



- ① MUST BE KEPT BETWEEN [-Z-] AND 2
- 2. APPLIED RECEPTACLE CONTACT PART NUMBER ; 173631, 173630.
- 3. APPLIED CAP HOUSING PART NUMBER ; 174460, 1318444 AND 178602

- ① [-Z-] 面より 2mm の範囲で測定
- 2. 内装するリセプタクルコンタクト型番 : 173631, 173630
- 3. 嵌合相手ハウジング型番 : 174460, 1318444 及び 178602



FJPI-174463-7	黄 (YELLOW)	174463-7
FJPI-174463-6	灰 (GRAY)	174463-6
FJPI-174463-5	青 (BLUE)	174463-5
FJPI-174463-4	黒 (BLACK)	174463-4
FJPI-174463-3	自然色 (NATURAL)	174463-3
FJPI-174463-2	黒 (BLACK)	174463-2
FJPI-174463-1	自然色 (NATURAL)	174463-1
PACKING INSTRUCTION NUMBER (梱包仕様書番号)	色 (COLOR)	製品型番 (PART NUMBER)

TOLERANCES UNLESS OTHERWISE SPECIFIED: 一般公差

10 >	: ±0.2
30 >	: ±0.25
100 >	: ±0.3
ANGLE	: ±3°

THIS DRAWING IS A CONTROLLED DOCUMENT.

DIMENSIONS: 単位: 耗 mm	TOLERANCES UNLESS OTHERWISE SPECIFIED: 一般公差
	0 PLC ± -
	1 PLC ± -
	2 PLC ± -
	3 PLC ± -
	4 PLC ± -
	ANGLES ± -

MATERIAL 材料	FINISH 仕上
PBT	-

DWN	M.SUGAWARA	25OCT06
CHK	K.BETSUI	25OCT06
APVD	K.BETSUI	25OCT06
PRODUCT SPEC	製品規格	108-5264
APPLICATION SPEC	取付適用規格	-
WEIGHT	-	-

TE Connectivity			
070 SERIES MULTI-LOCK CONNECTOR 2POSITION PLUG HOUSING (WIRE TO WIRE)			
SIZE	CAGE CODE	DRAWING NO 番号	RESTRICTED TO
A3	00779	C-174463	-

CUSTOMER DRAWING	SCALE 尺度 2:1	SHEET 1 OF 1	REV G5
------------------	-----------------	-----------------	-----------