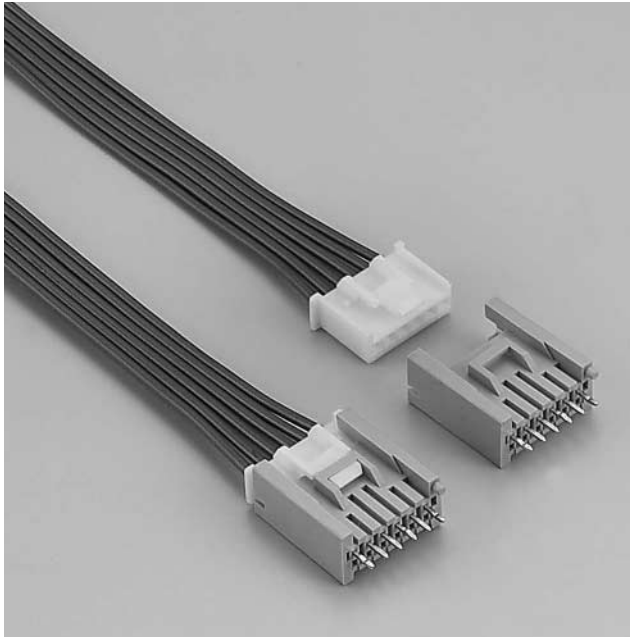
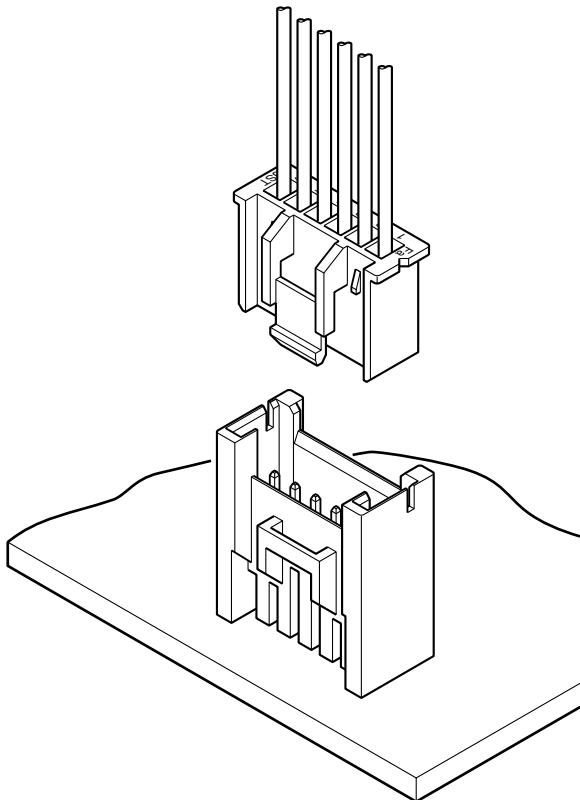


# XM CONNECTOR (High box type)

Disconnectable Crimp style connectors (Board)



**This is XM connector high box type, with 20.0mm mounting height and with 8.9mm thickness. This connector exhibits the stable electric connection to the condition such as the vibration, the prying, the micro-current and micro-voltage circuit.**



## Features

### • Interchangeability

The housing is interchangeable with these of the XM receptacle housing.

### • Inner-housing lock

This inner-housing lock secures the plug to the receptacle and prevents accidental disconnection. The lock is protected and is not affected by external forces that might result from the routing of wires.

### • Secondary retainers

The secondary retainers enhance safety in case of partial insertion or accidental release of the contact. Even if a contact is inserted incompletely, the retainer guides the contact to the proper position and securely locks it in place.

### • Header for 2.5mm pitch XM connector for use specifically with resin coated ("potted") PC boards

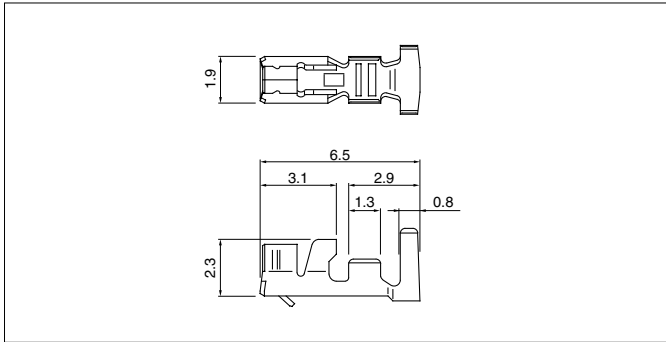
This header is tall and fully shrouded so as to prevent the resin used to coat the PC board from coming into contact with the mating pins.

## Specifications

- Current rating: 3 A AC, DC (AWG #22, #20)
- Voltage rating: 250 V AC, DC
- Temperature range: -25°C to +85°C  
(including temperature rise in applying electrical current)
- Contact resistance: Initial value/ 10 mΩ max.  
After environmental tests/ 20 mΩ max.
- Insulation resistance: 500 MΩ min.
- Withstanding voltage: 1,000 VAC/minute
- Applicable wire: AWG #28 to #20
- Applicable PC board thickness: 1.6 mm
- \* Refer to "General Instruction and Notice when using Terminals and Connectors" at the end of this catalog.
- \* Contact JST for details.
- \* Compliant with RoHS.

# XM CONNECTOR (High box type)

## Contact



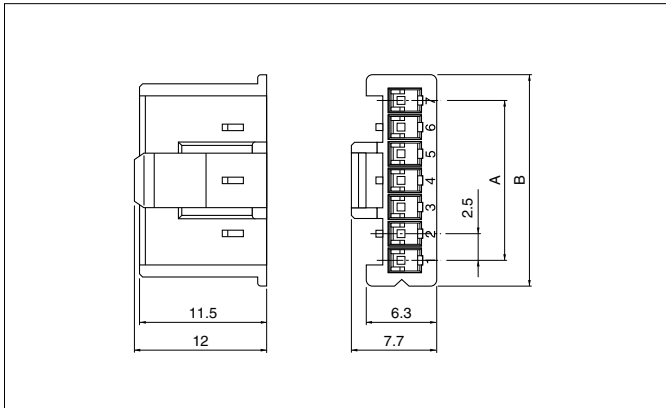
Model No.	Applicable wire			Q'ty/ reel
	mm <sup>2</sup>	AWG #	Insulation O.D. (mm)	
<b>SXA- 01T-P0.6</b>	0.22 to 0.50	24 to 20	1.5 to 1.9	8,000
<b>SXA-001T-P0.6</b>	0.08 to 0.33	28 to 22	0.8 to 1.9	8,000

### Material and Finish

Phosphor bronze, tin-plated (reflow treatment)

### RoHS compliance

## Housing



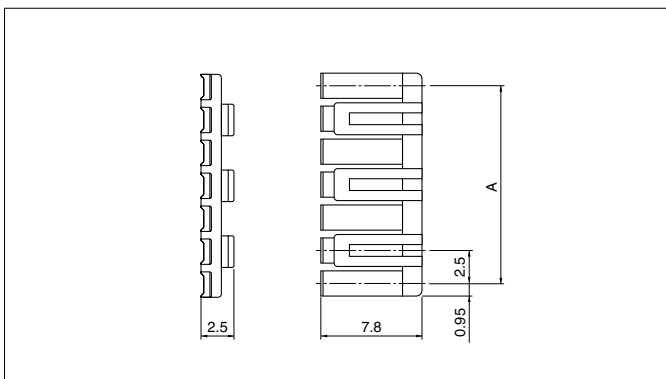
Circuits	Model No.	Dimensions (mm)		Q'ty/ bag
		A	B	
2	<b>XMP-02V</b>	2.5	8.8	1,000
3	<b>XMP-03V</b>	5.0	9.8	1,000
4	<b>XMP-04V</b>	7.5	12.3	1,000
5	<b>XMP-05V</b>	10.0	14.8	500
6	<b>XMP-06V</b>	12.5	17.3	500
7	<b>XMP-07V</b>	15.0	19.8	500
8	<b>XMP-08V</b>	17.5	22.3	500
9	<b>XMP-09V</b>	20.0	24.8	500
10	<b>XMP-10V</b>	22.5	27.3	500

### Material

PA 66, UL94V-0

### RoHS compliance

## Retainer



Circuits	Model No.	A	Q'ty/bag
2	<b>XMS-02V</b>	2.5	1,000
3	<b>XMS-03V</b>	5.0	1,000
4	<b>XMS-04V</b>	7.5	1,000
5	<b>XMS-05V</b>	10.0	1,000
6	<b>XMS-06V</b>	12.5	1,000
7	<b>XMS-07V</b>	15.0	1,000
8	<b>XMS-08V</b>	17.5	1,000
9	<b>XMS-09V</b>	20.0	1,000
10	<b>XMS-10V</b>	22.5	1,000

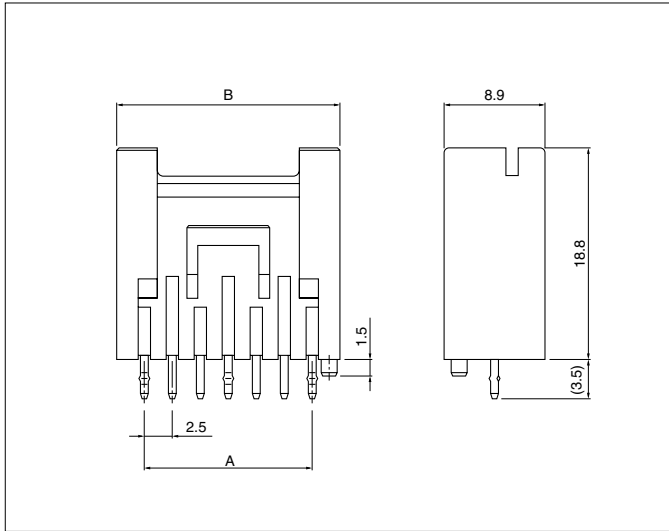
### Material

Glass-filled PA 66, UL94V-0

### RoHS compliance

# XM CONNECTOR<High box type>

## Shrouded header



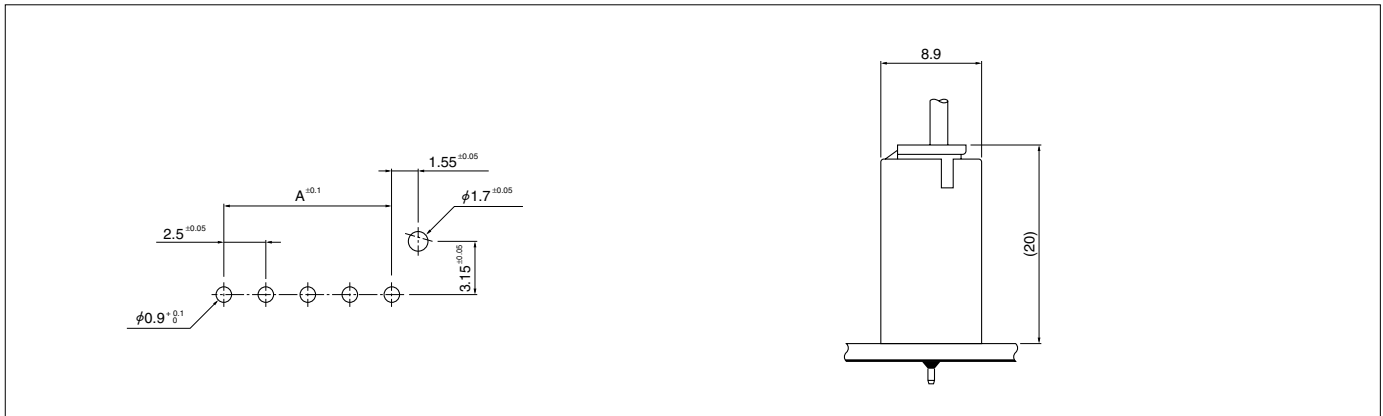
Circuits	Model No.	Dimensions (mm)		Qty/ bag
		A	B	
2	<b>BH02B-XMSK</b>	2.5	8.9	770
3	<b>BH03B-XMSK</b>	5.0	9.9	700
4	<b>BH04B-XMSK</b>	7.5	12.4	525
5	<b>BH05B-XMSK</b>	10.0	14.9	455
6	<b>BH06B-XMSK</b>	12.5	17.4	385
7	<b>BH07B-XMSK</b>	15.0	19.9	315
8	<b>BH08B-XMSK</b>	17.5	22.4	280
9	<b>BH09B-XMSK</b>	20.0	24.9	245
10	<b>BH10B-XMSK</b>	22.5	27.4	245

### Material and Finish

Post: Copper alloy, copper-undercoated, tin-plated (reflow treatment)  
Wafer: Glass-filled PA 66, UL94V-0

**RoHS compliance** This product displays (LF)(SN) on a label.

## PC board layout (viewed from soldering side) and Assembly layout



### Note:

1. Tolerances are non-cumulative:  $\pm 0.05$  mm for all centers.
2. Hole dimensions differ according to the type of PC board and piercing method.  
The dimensions above should serve as a guideline. Contact JST for details.

## Crimping machine, Applicator

Contact	Crimping machine	Crimp applicator	Dies	Crimp applicator with dies
<b>SXA-001T-P0.6</b>	AP-K2N	MKS-L	MK/SXA/M-001-06	APLMK SXA/M001-06
		*MKS-SC	SC/SXA/M-001-06	APLSC SXA/M001-06
<b>SXA-01T-P0.6</b>	AP-K2N	MKS-L	MK/SXA/M-01-06	APLMK SXA/M01-06
		*MKS-SC	SC/SXA/M-01-06	APLSC SXA/M01-06

Note: \*Strip-crimp applicator