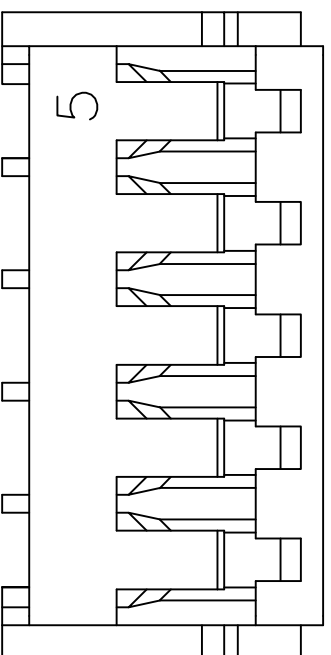
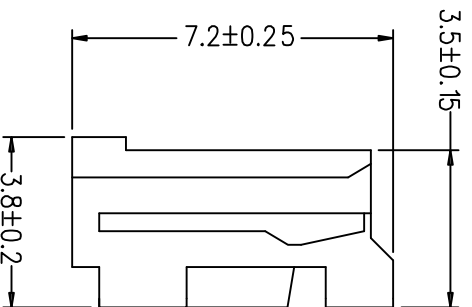
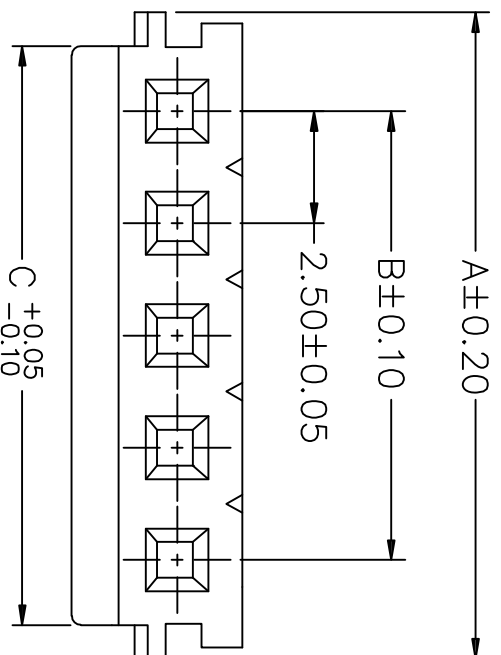


SPECIFICATIONS

Current rating: 3A AC/DC
 Voltage rating: 250V AC/DC
 Contact resistance: 20mΩ max.
 Withstand voltage: 800V AC/min
 Insulation resistance: 1000MΩ/min.
 Temperature range: -25°C~+85°C

Material:
 Part No: 2~15
 HOUSING: Nylon66, UL 94V-0



No. of Contacts	DIMENSIONS			
	DIM A	DIM B	DIM C	
02	7.00	2.50	5.40	
03	9.50	5.00	7.90	
04	12.00	7.50	10.40	
05	14.50	10.00	12.90	
06	17.00	12.50	15.40	
07	19.50	15.00	17.90	
08	22.00	17.50	20.40	
09	24.50	20.00	22.90	
10	27.00	22.50	25.40	
11	29.50	25.00	27.90	
12	32.00	27.50	30.40	
13	34.50	30.00	32.90	
14	37.00	32.50	35.40	
15	39.50	35.00	37.90	

TOLERANCE TABLE

.0	±0.30
.00	±0.20
.000	±0.05

APPROVED:

DATE:

CHECKED:

DATE:

DRAWN:

DATE:

LYP

2011-01-13

TITLE:
2504H-XP (EH)

深圳市矽科盟实业有限公司
 CHANKLEMENT INDUSTRY CO., LTD

CLIENT P/N /

UNIT	mm	SCALE	free	REV.	A	JD00
FILE NO.	CKmtw-2504-0003					