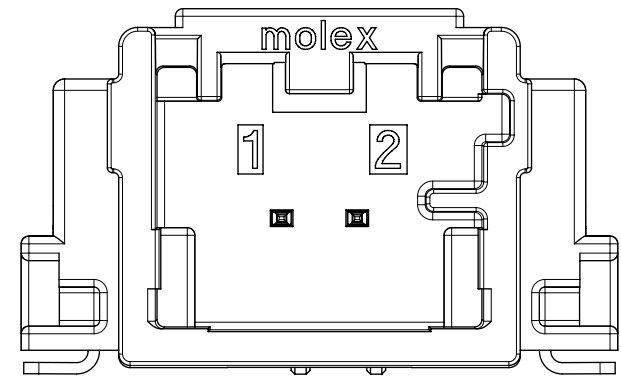
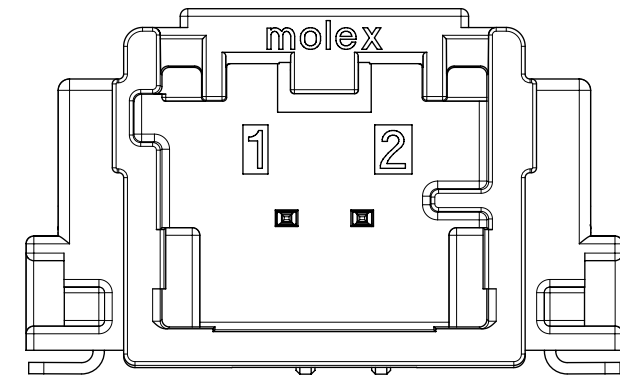


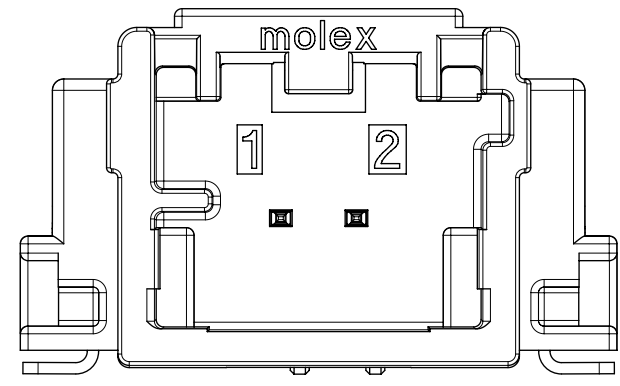
2 CKT SMT HEADER
POLARIZATION OPTION A
TIN P/N: 34912-8020
GOLD P/N: 34912-6020



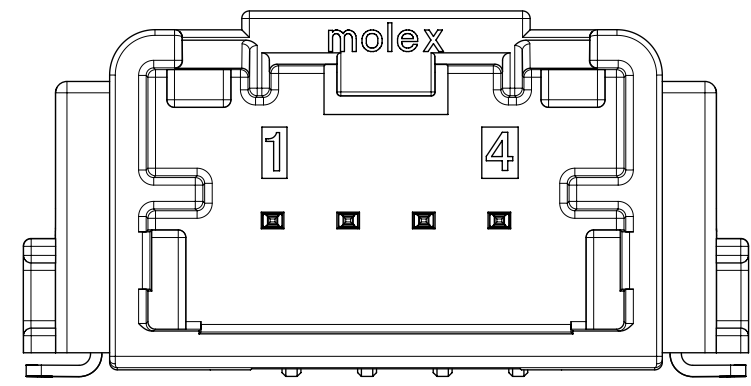
2 CKT SMT HEADER
POLARIZATION OPTION B
TIN P/N: 34912-8021
GOLD P/N: 34912-6021



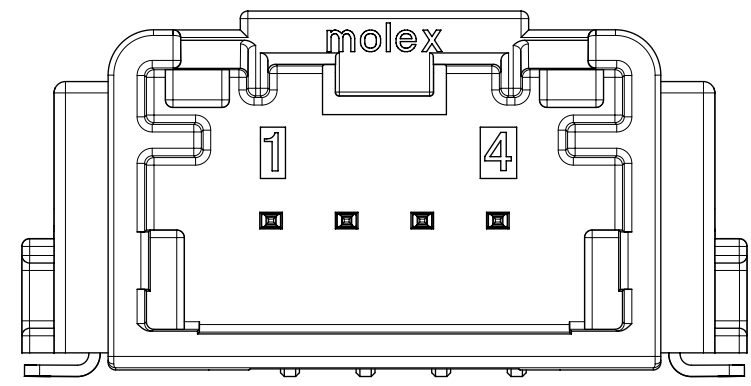
2 CKT SMT HEADER
POLARIZATION OPTION C
TIN P/N: 34912-8022
GOLD P/N: 34912-6022



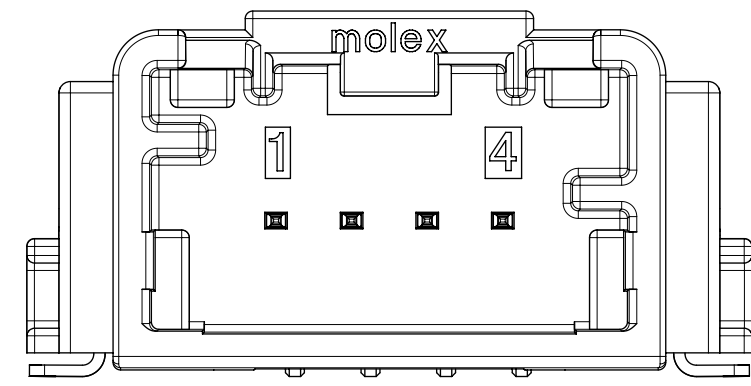
2 CKT SMT HEADER
POLARIZATION OPTION D
TIN P/N: 34912-8023
GOLD P/N: 34912-6023



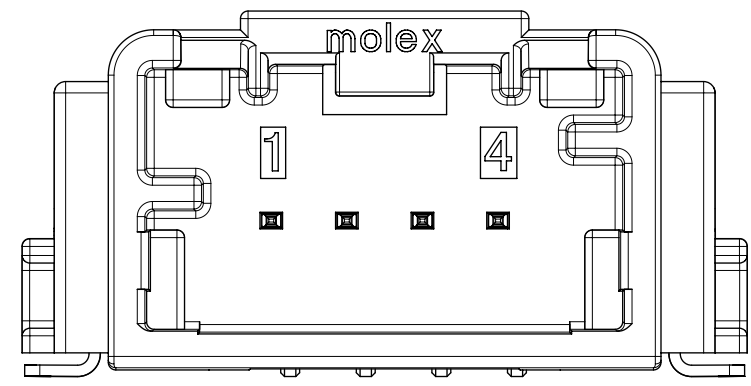
4 CKT SMT HEADER
POLARIZATION OPTION A
TIN P/N: 34912-8040
GOLD P/N: 34912-6040



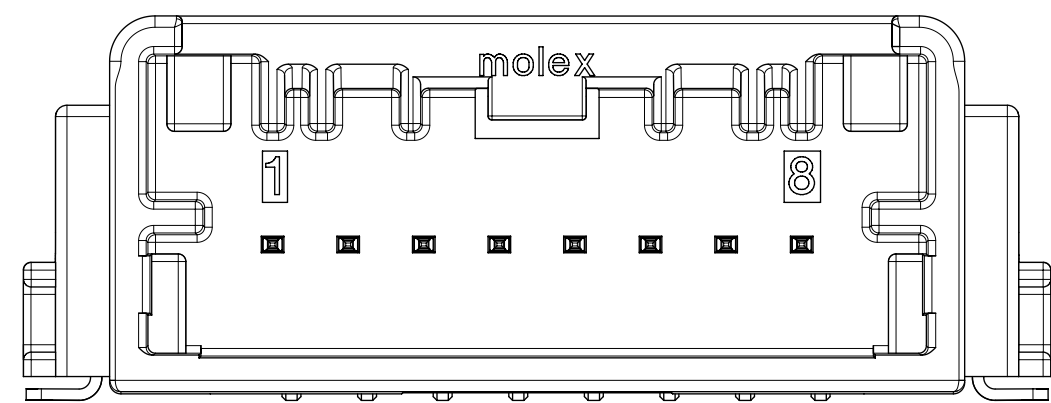
4 CKT SMT HEADER
POLARIZATION OPTION B
TIN P/N: 34912-8041
GOLD P/N: 34912-6041



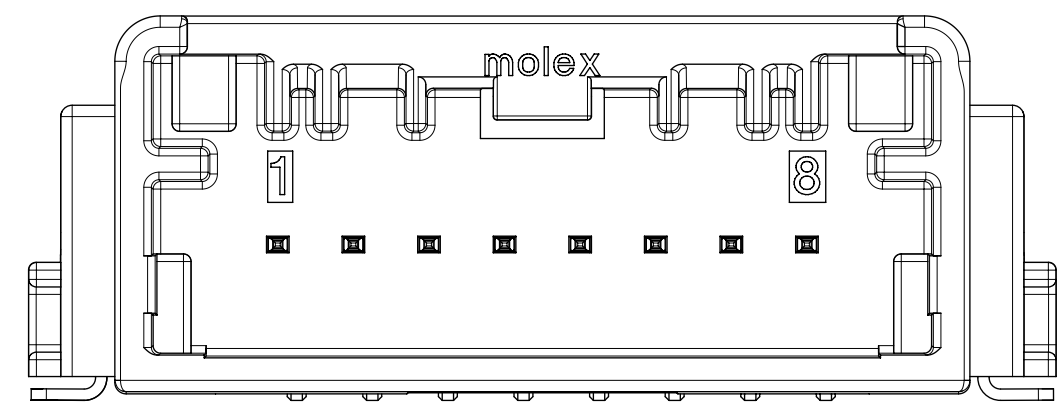
4 CKT SMT HEADER
POLARIZATION OPTION C
TIN P/N: 34912-8042
GOLD P/N: 34912-6042



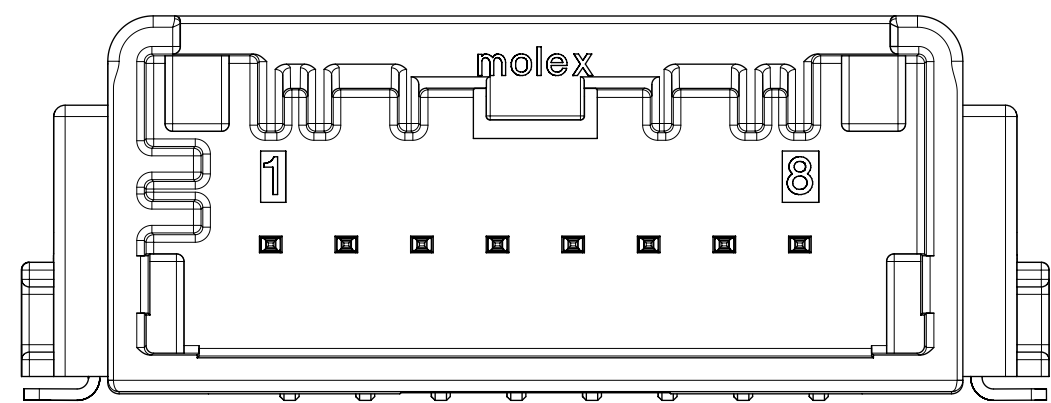
4 CKT SMT HEADER
POLARIZATION OPTION D
TIN P/N: 34912-8043
GOLD P/N: 34912-6043



8 CKT SMT HEADER
POLARIZATION OPTION A
TIN P/N: 34912-8080
GOLD P/N: 34912-6080



8 CKT SMT HEADER
POLARIZATION OPTION B
TIN P/N: 34912-8081
GOLD P/N: 34912-6081



8 CKT SMT HEADER
POLARIZATION OPTION C
TIN P/N: 34912-8082
GOLD P/N: 34912-6082

NOTES: VALID UNLESS OTHERWISE SPECIFIED

1. GENERAL:
 - a. APPLICATION SPECIFICATION SEE: AS-34791-020
 - b. PRODUCT SPECIFICATION SEE: PS-34791-020
 - c. PACKAGING SPECIFICATION PER MOLEX DRAWING: SEE CHART
 - d. SOLDERABILITY PER SMES-152
 - e. PARTS MUST BE IN COMPLIANCE TO MOLEX CHEMICAL SUBSTANCES FOR PRODUCTS AND PACKAGING SPECIFICATION: QEHS-699000-300
 - f. DATA MUST BE SUBMITTED UNDER THE MOLEX PART NUMBER TO IMDS (COMPANY ID# 13255)
 - g. FLAMMABILITY REQUIREMENT: PER ISO3795 OR GM3191
 - h. VISUAL DEFECTS SHALL MEET COSMETIC STANDARD PS-45499-002 (Class B)
2. DESIGN - MATERIALS:
 - a. SHROUD (PLASTIC HOUSING): SPS 30% GF, 20% REGRIND MAX BY WEIGHT
 - b. BLADES:
 - BASE METAL: C260 BRASS
 - PLATING REQUIREMENTS:
 - TIN OVER NICKEL:
 - UNDERPLATING:
 - OVERALL NICKEL
 - OVERPLATING:
 - OVERALL TIN
 - GOLD:
 - UNDERPLATING: OVERALL NICKEL
 - OVERPLATING:
 - CONTACT AREA: GOLD
 - GRIP AREA: TIN
3. DESIGN - GEOMETRY:
 - a. THIS IS A 100% CAD GENERATED PART. THE CAD MATHEMATICAL DATA IS THE MASTER FOR THIS PART. FOR DIMENSIONAL OR ANY INFORMATION NOT SHOWN ON THIS DRAWING, ANALYZE THE CAD MODEL.
 - b. GEOMETRIC DIMENSIONS AND TOLERANCES PER ASME Y14.5M - 2009
 - c. GENERAL TOLERANCES: SEE TITLE BLOCK
 - d. EDGES AND UNDIMENSIONED DETAILS PER ISO13715
 - e. CORNERS SHOWN AS SHARP TO BE R 0.1 MAX
 - f. LETTERING SHALL BE 0.10 MAX RAISED. THIS INCLUDES RECYCLING CODE, PLANT AND CAVITY ID, VENDOR ID, AND CIRCUIT ID.
 - g. TRACEABILITY TO BE MARKED IN AREA SHOWN. MARK IS CODED AS FOLLOWS:
 - ROW 1 (XXXXX): MOLEX SINGLE ROW SMT HEADER SERIES NUMBER (34912)
 - ROW 2 (HHDDYY):
 - 1ST & 2ND DIGITS: HOUR OF ASSEMBLY (24 HOUR CLOCK) (EXAMPLE: 15:00 > '15'; 7:00 -> '07')
 - 3RD THRU 5TH DIGITS: JULIAN DATE (EXAMPLE: FEBRUARY 3RD -> '034')
 - 6TH & 7TH DIGITS: LAST 2 DIGITS OF CALENDAR YEAR (EXAMPLE: 2013 -> '13')

PRE-RELEASE
REFERENCE
USE ONLY

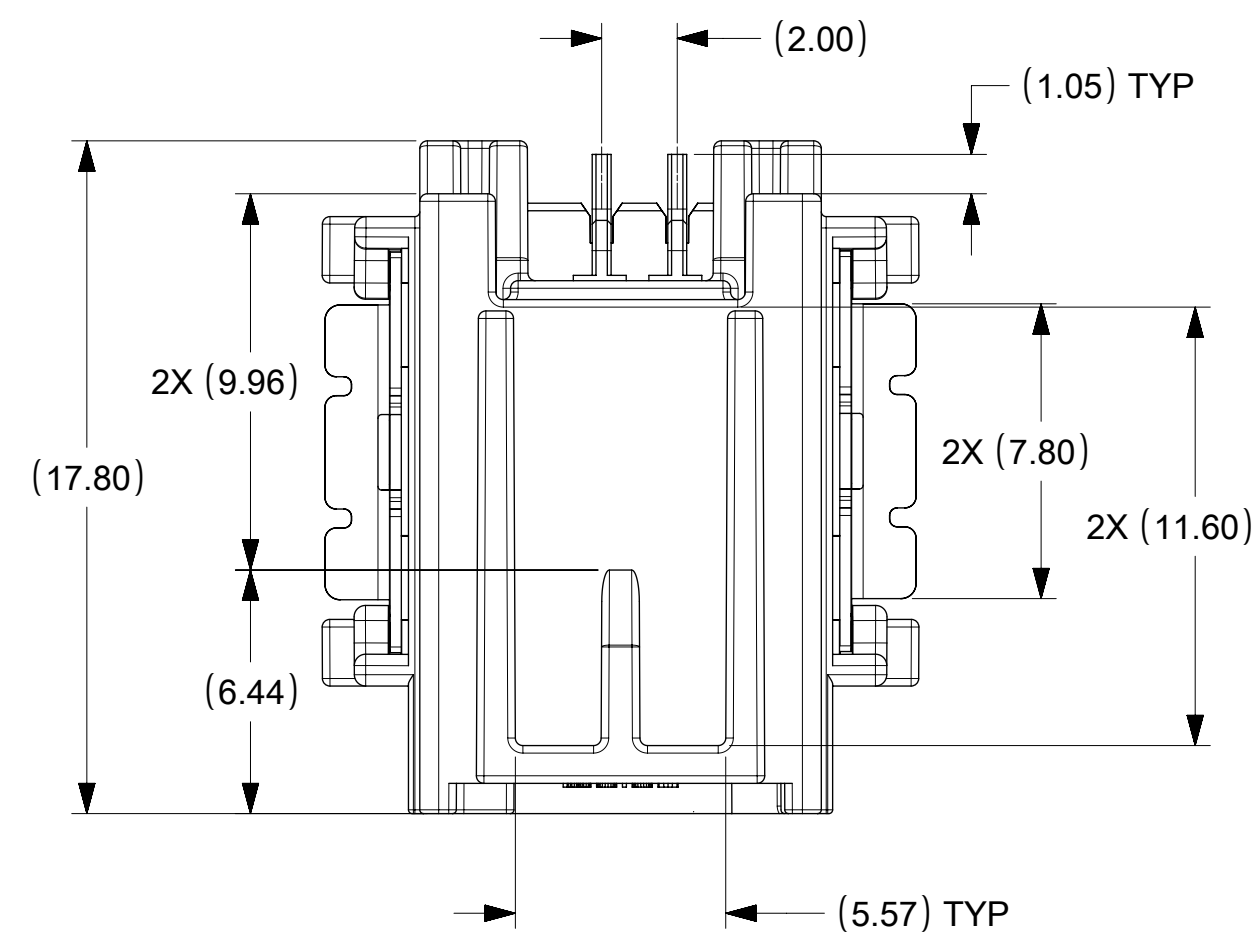
INSPECTION BALLOON NUMBER LOG	
PER DRAWING REVISION: M1	
LAST BALLOON USED: 16	
ADDED BALLOON NUMBERS:	
REMOVED BALLOON NUMBERS:	

M1	NX REMASTERING
REV	DESCRIPTION

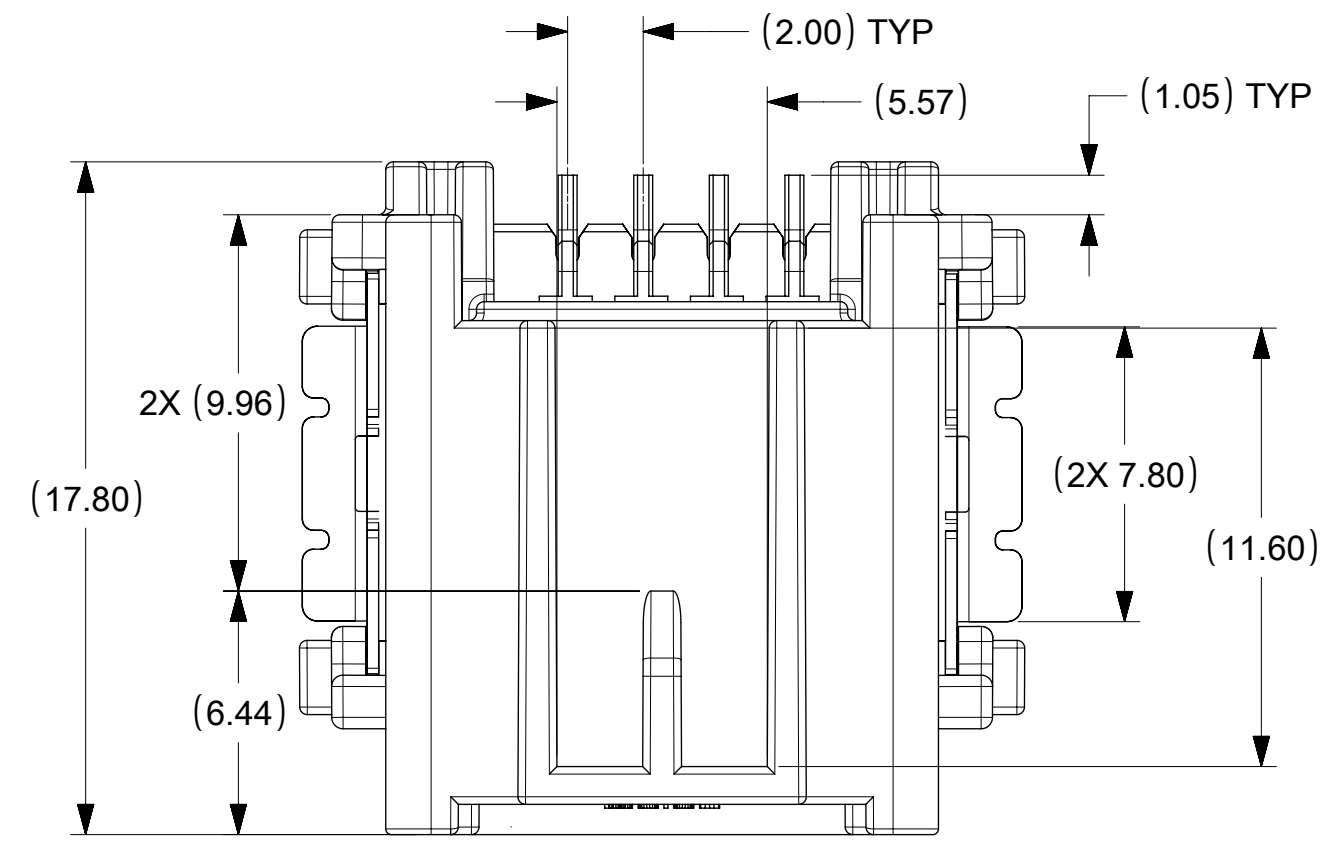
QUALITY SYMBOLS	THIS DRAWING CONTAINS INFORMATION THAT IS PROPRIETARY TO MOLEX ELECTRONIC TECHNOLOGIES, LLC AND SHOULD NOT BE USED WITHOUT WRITTEN PERMISSION	
▽ = 0	EC NO: 113373	DRWN: SMAHESHBABU
▽ = 0	2016/12/08	CHKD: TMAACHUGA
▽ = 0	2017/02/17	REV APPR:
▽ = 0	GENERAL TOLERANCES (UNLESS SPECIFIED)	DIMENSION UNITS
▽ = 0	ANGULAR TOL ± 1.0 °	SCALE
▽ = 0	4 PLACES ±	MM ONLY
▽ = 0	3 PLACES ±	5:1
▽ = 0	2 PLACES ± 0.1	DRWN BY
▽ = 0	1 PLACE ± 0.2	DATE
▽ = 0	0 PLACES ±	MYOUNG01
▽ = 0	DRAFT WHERE APPLICABLE MUST REMAIN WITHIN DIMENSIONS	2012/05/23
▽ = 0		CHKD BY
		DATE
		APPR BY
		DATE
		SMARCEAU
		2012/06/01
		DRAWING SIZE
		THIRD ANGLE PROJECTION
		D

molex®			
2, 4, 8 CKT MINI 50 SMT ASSEMBLY SALES DRAWING			
PRODUCT CUSTOMER DRAWING			
SERIES	MATERIAL NUMBER	CUSTOMER	
34912	SEE TABLE	GENERAL MARKET	
DOCUMENT NUMBER	DOC TYPE	DOC PART	SHEET NUMBER
SD-34912-001	PSD	000	1 OF 5

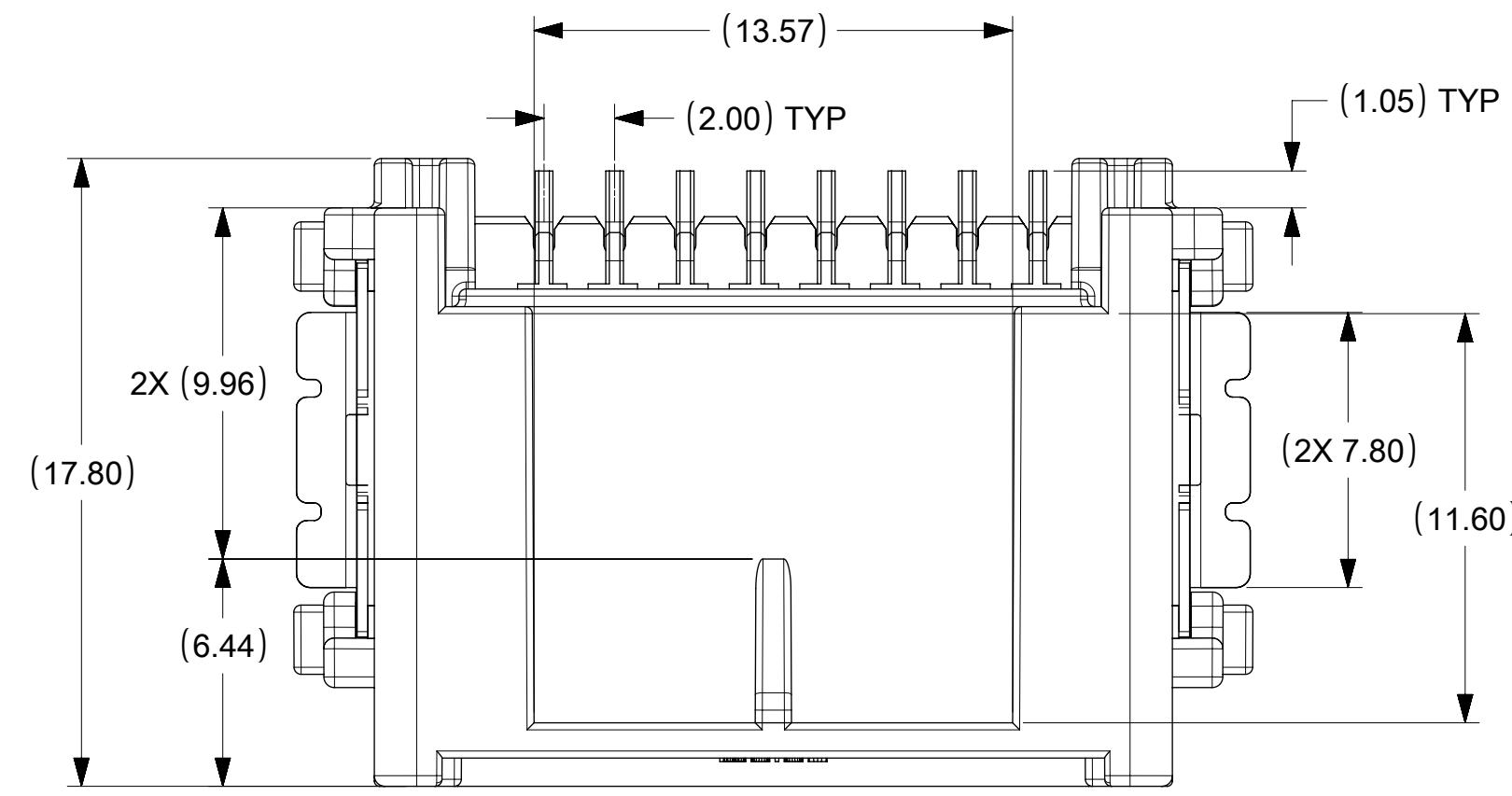
2 CKT SMT HEADER



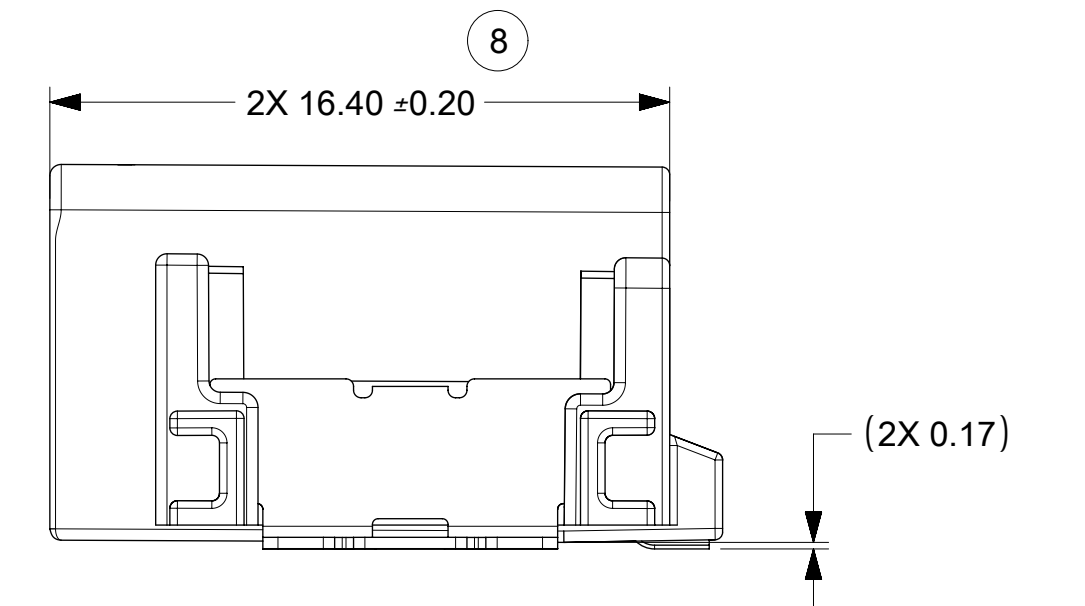
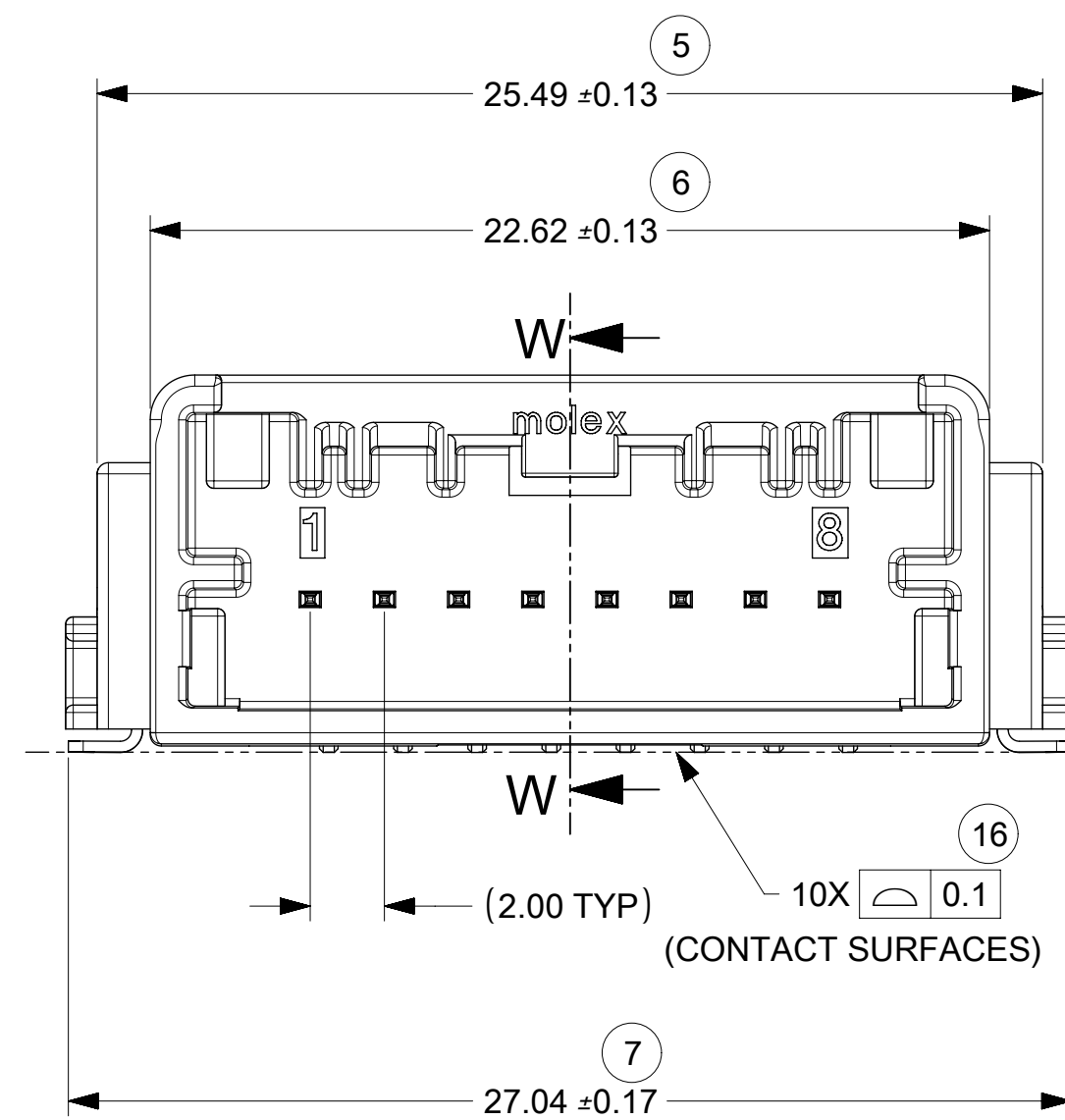
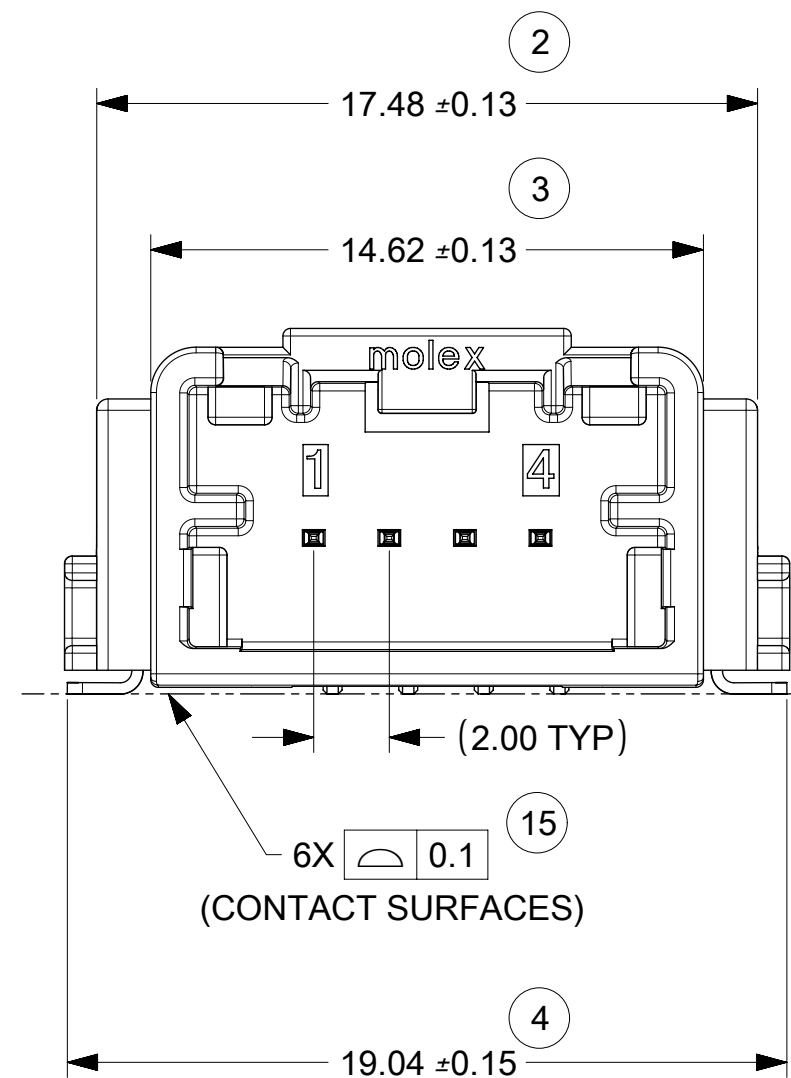
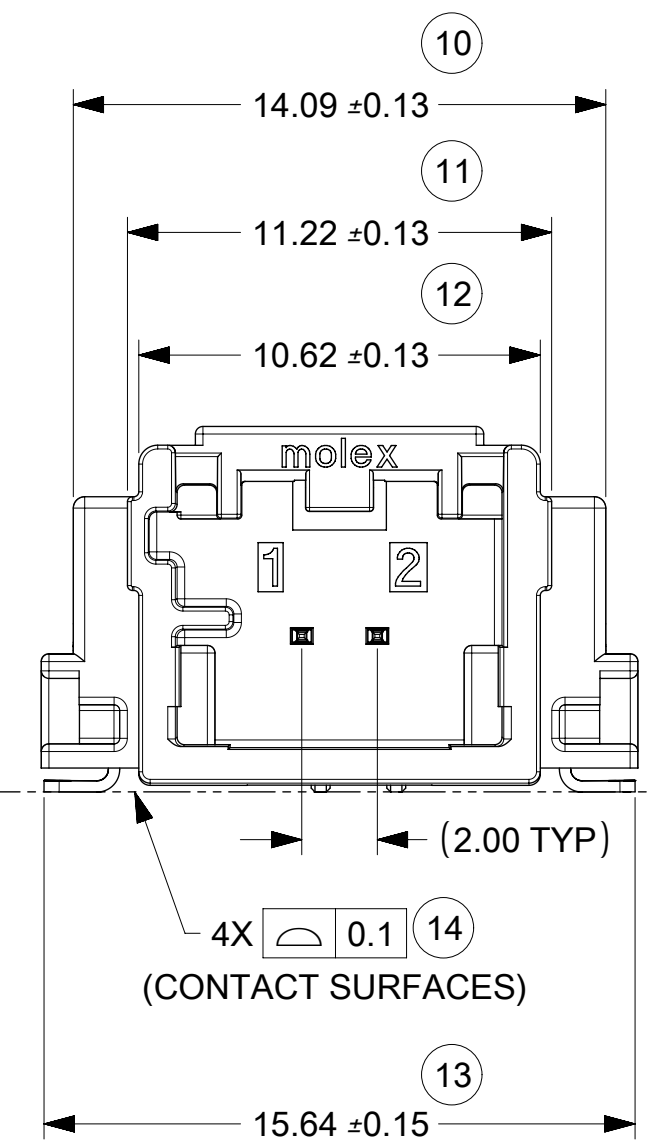
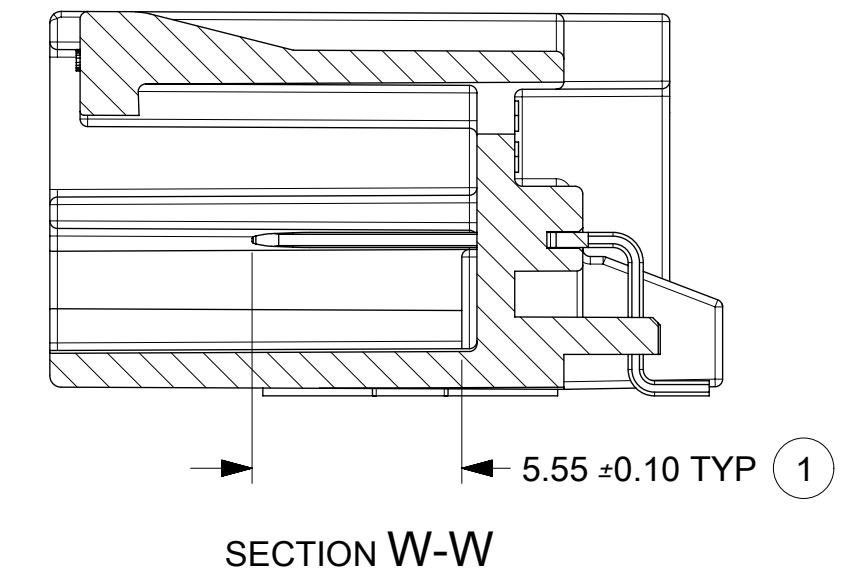
4 CKT SMT HEADER



8 CKT SMT HEADER



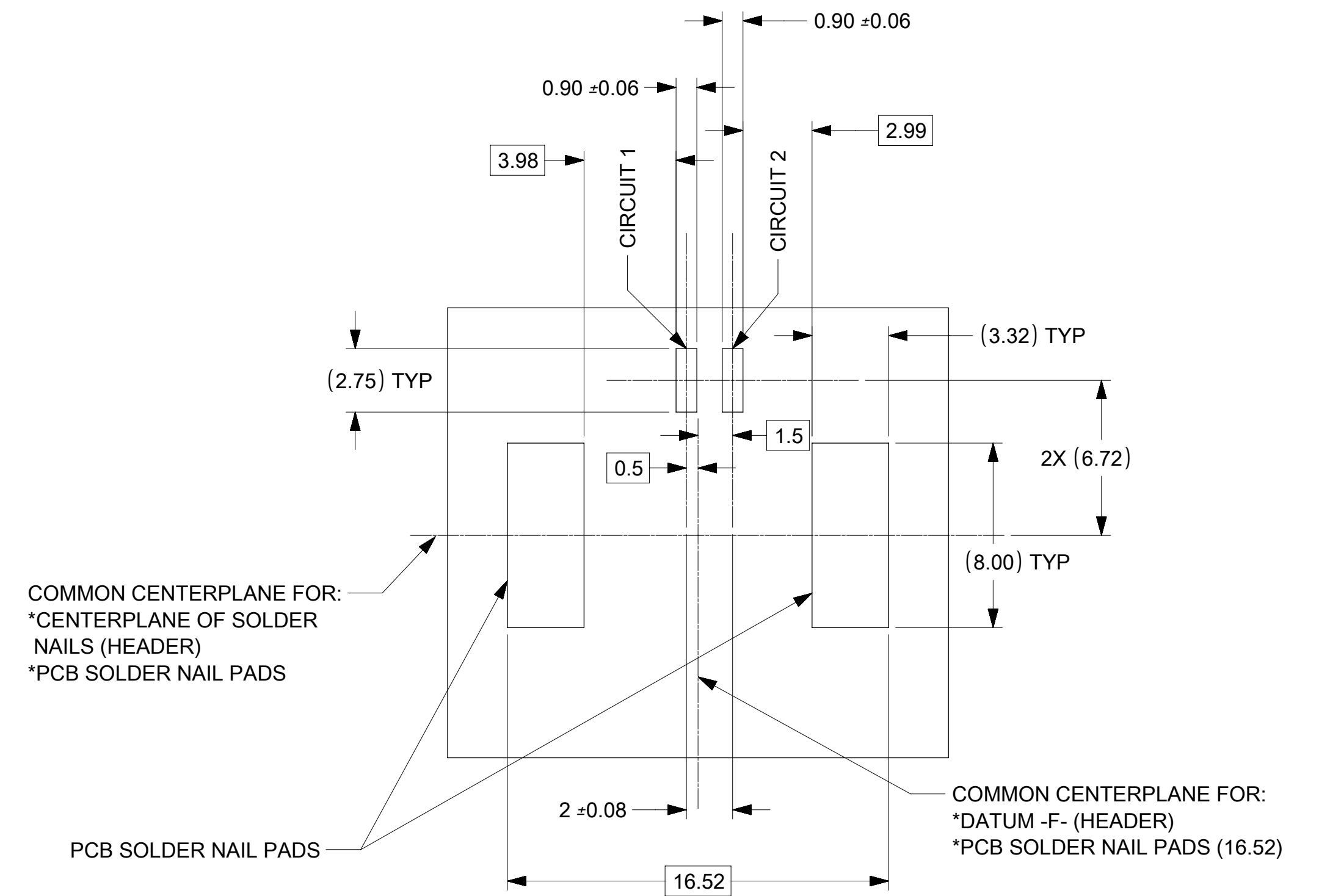
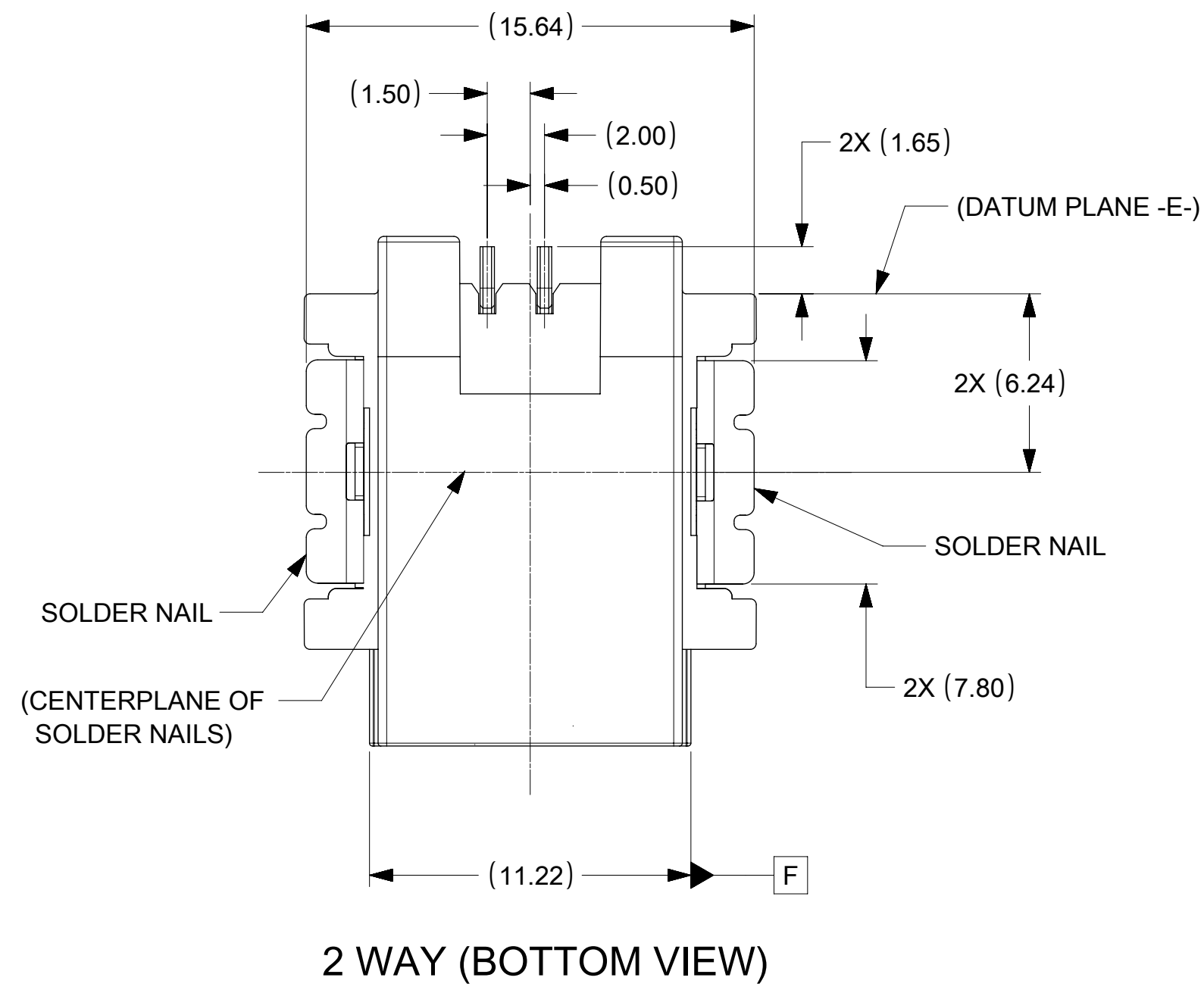
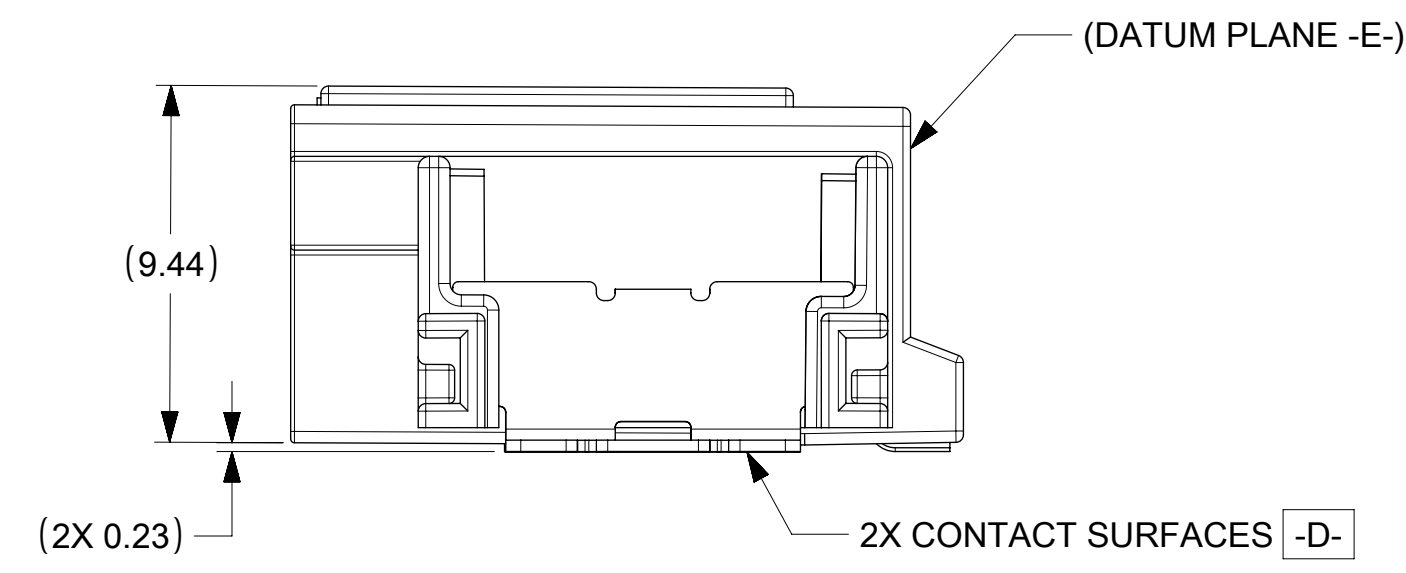
HEADER TO PCB FLUSH MOUNT



QUALITY SYMBOLS F = 0 E = 0 D = 0 C = 0 B = 0 A = 0 M1	THIS DRAWING CONTAINS INFORMATION THAT IS PROPRIETARY TO MOLEX ELECTRONIC TECHNOLOGIES, LLC AND SHOULD NOT BE USED WITHOUT WRITTEN PERMISSION											
	EC NO: 113373	DRWN: SMAHESHBABU	CHKD: TMACHUGA	REV: 2017/02/17	GENERAL TOLERANCES (UNLESS SPECIFIED)		DIMENSION UNITS	SCALE				
	2016/12/08		2017/02/17		ANGULAR TOL ± 1.0 °		MM ONLY	5:1				
	4 PLACES ±		3 PLACES ±		2 PLACES ± 0.1		DRWN BY		DATE			
	1 PLACE ± 0.2		0 PLACES ±		DRAFT WHERE APPLICABLE MUST REMAIN WITHIN DIMENSIONS		MYOUNG01		2012/05/23			
	APPR BY		DATE		DRAWING SIZE		THIRD ANGLE PROJECTION		PRODUCT CUSTOMER DRAWING			
	SMARCEAU		2012/06/01		D		SERIES		MATERIAL NUMBER		CUSTOMER	
	34912		SEE TABLE		GENERAL MARKET			DOCUMENT NUMBER		DOC TYPE	DOC PART	SHEET NUMBER
	SD-34912-001		PSD		000	2 OF 5						

RECOMMENDED PCB LAYOUT:

2 WAY:

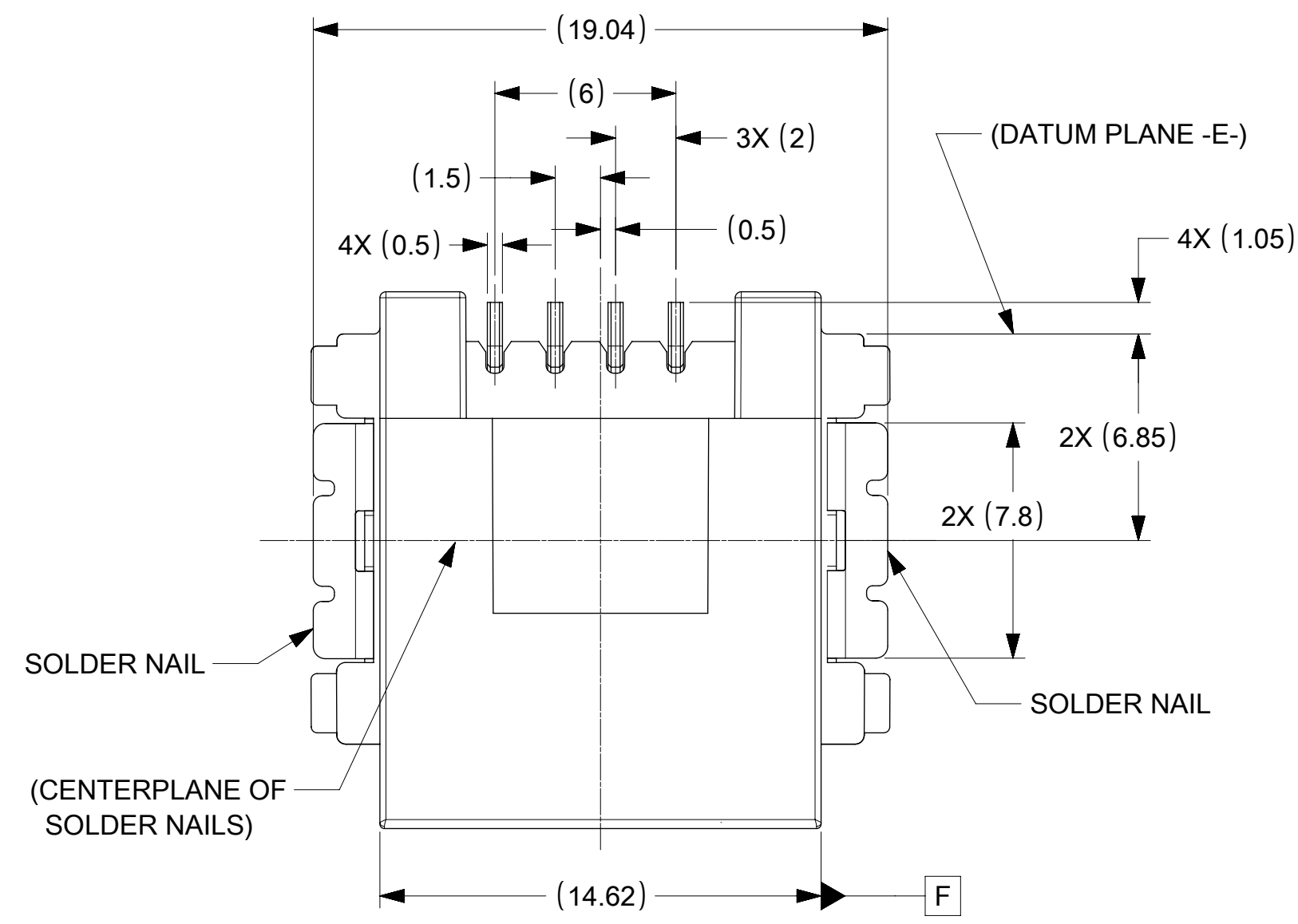
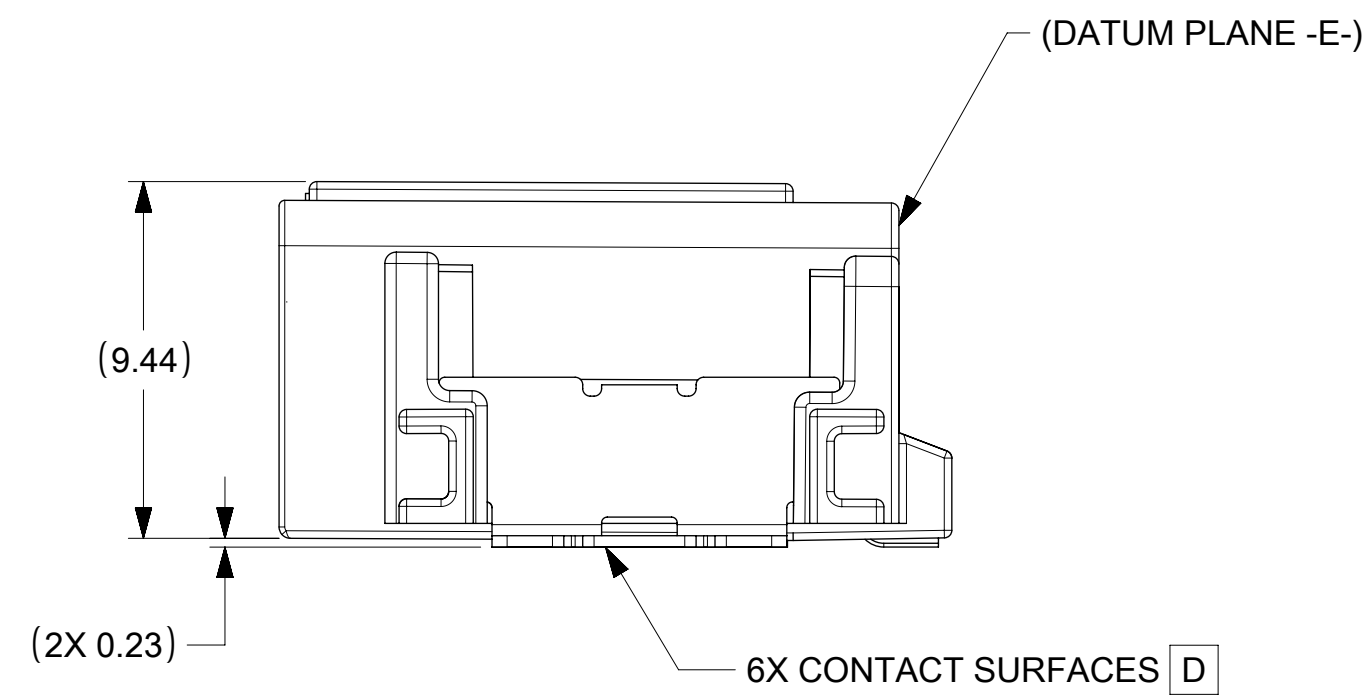


NOTE: 1. UPDATED DIM 2X(1.65) FROM 2X(1.05) AT ZONE 'J9' TO MATCH PRODUCTION PART.
2. UPDATED DIM 2X(6.24) FROM 2X(6.85) AT ZONE 'J8' TO MATCH PRODUCTION PART.

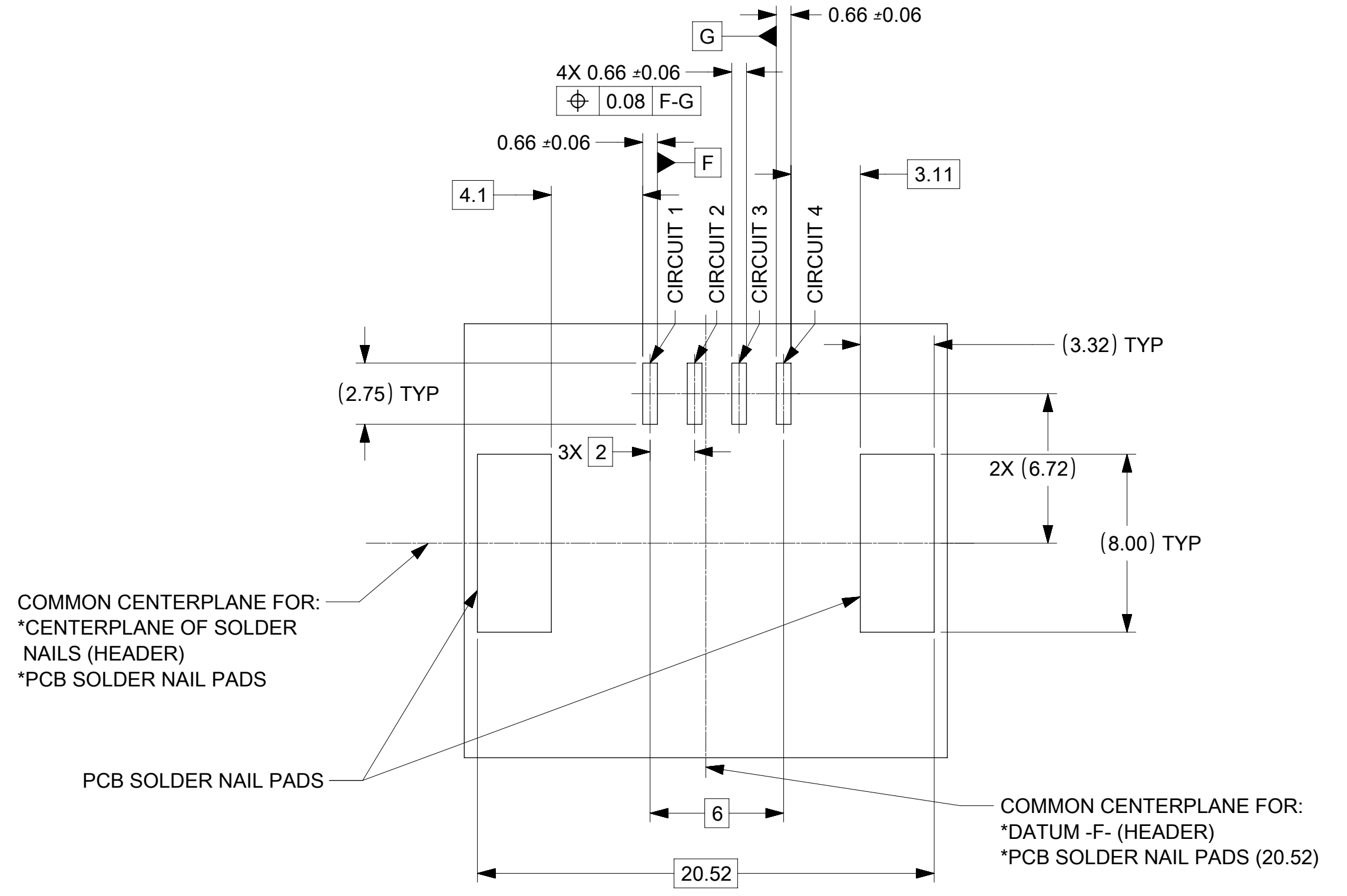
QUALITY SYMBOLS 	THIS DRAWING CONTAINS INFORMATION THAT IS PROPRIETARY TO MOLEX ELECTRONIC TECHNOLOGIES, LLC AND SHOULD NOT BE USED WITHOUT WRITTEN PERMISSION											
	EC NO: 113373	DRWN: SMAHESHBABU	CHKD: TMACHUGA	REV: M1	2016/12/08	2017/02/17	GENERAL TOLERANCES (UNLESS SPECIFIED)	DIMENSION UNITS	SCALE			
	4 PLACES ± 3 PLACES ± 2 PLACES ± 0.1 1 PLACE ± 0.2 0 PLACES ±						MM ONLY	5:1	2, 4, 8 CKT MINI 50 SMT ASSEMBLY SALES DRAWING			
	DRAFT WHERE APPLICABLE MUST REMAIN WITHIN DIMENSIONS						ANGULAR TOL ± 1.0 °	DRWN BY	DATE			PRODUCT CUSTOMER DRAWING
	DRIFT WHERE APPLICABLE MUST REMAIN WITHIN DIMENSIONS						MYOUNG01	2012/05/23	APPR BY	DATE	SERIES MATERIAL NUMBER CUSTOMER	
	DRAFT WHERE APPLICABLE MUST REMAIN WITHIN DIMENSIONS						SMARCEAU	2012/06/01	DRAWING SIZE	THIRD ANGLE PROJECTION	34912 SEE TABLE GENERAL MARKET	
	DRAFT WHERE APPLICABLE MUST REMAIN WITHIN DIMENSIONS						D	DOCUMENT NUMBER DOC TYPE DOC PART SHEET NUMBER		SD-34912-001 PSD 000 3 OF 5		

RECOMMENDED PCB LAYOUT:

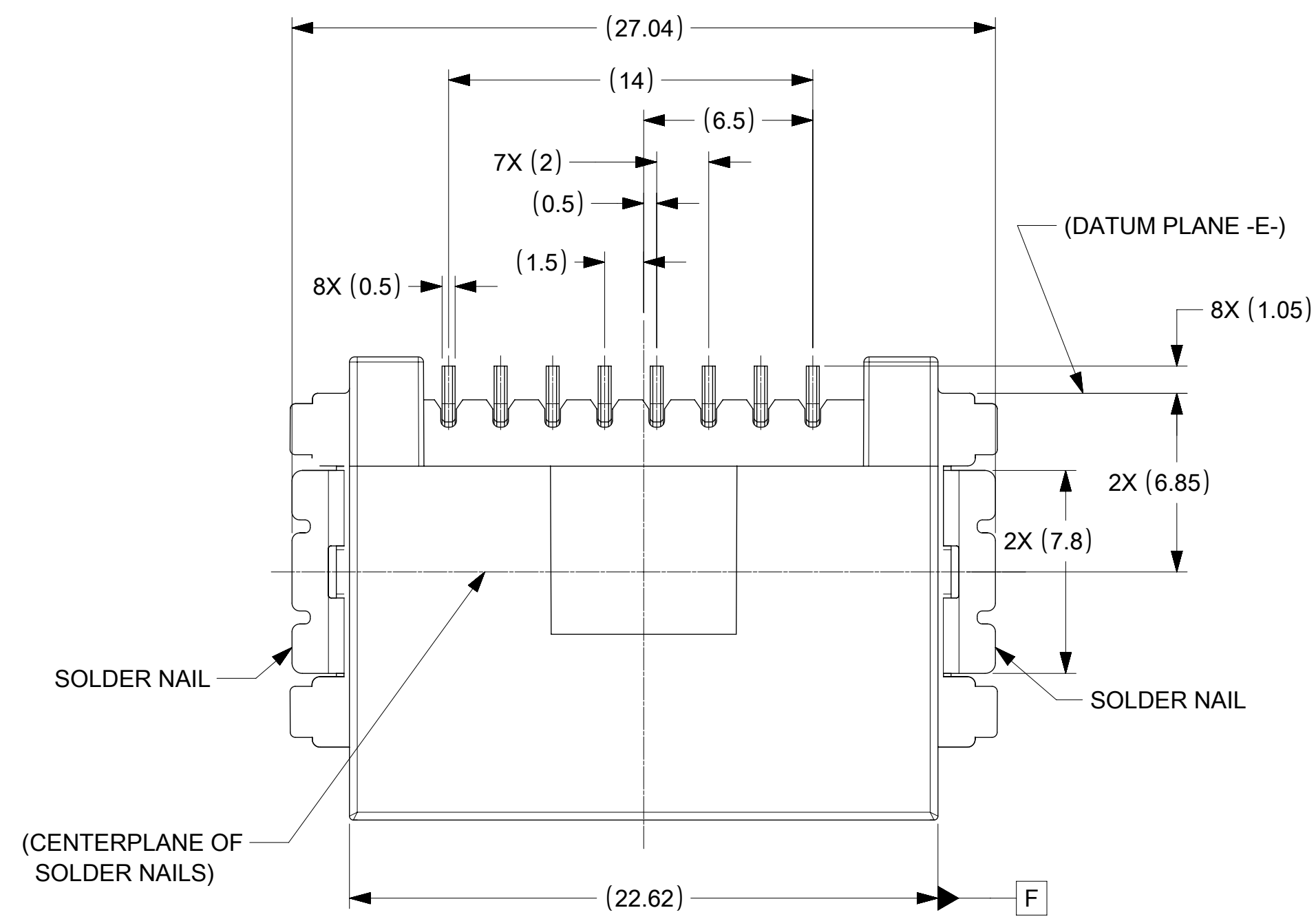
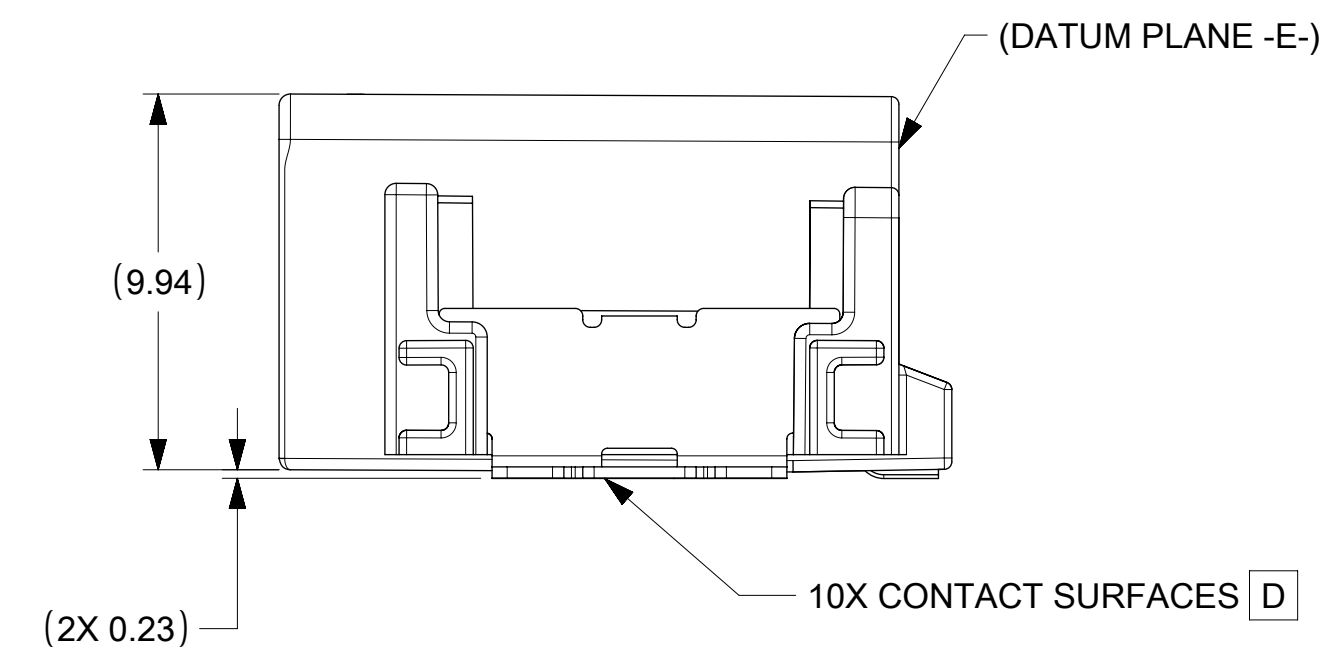
4 WAY:



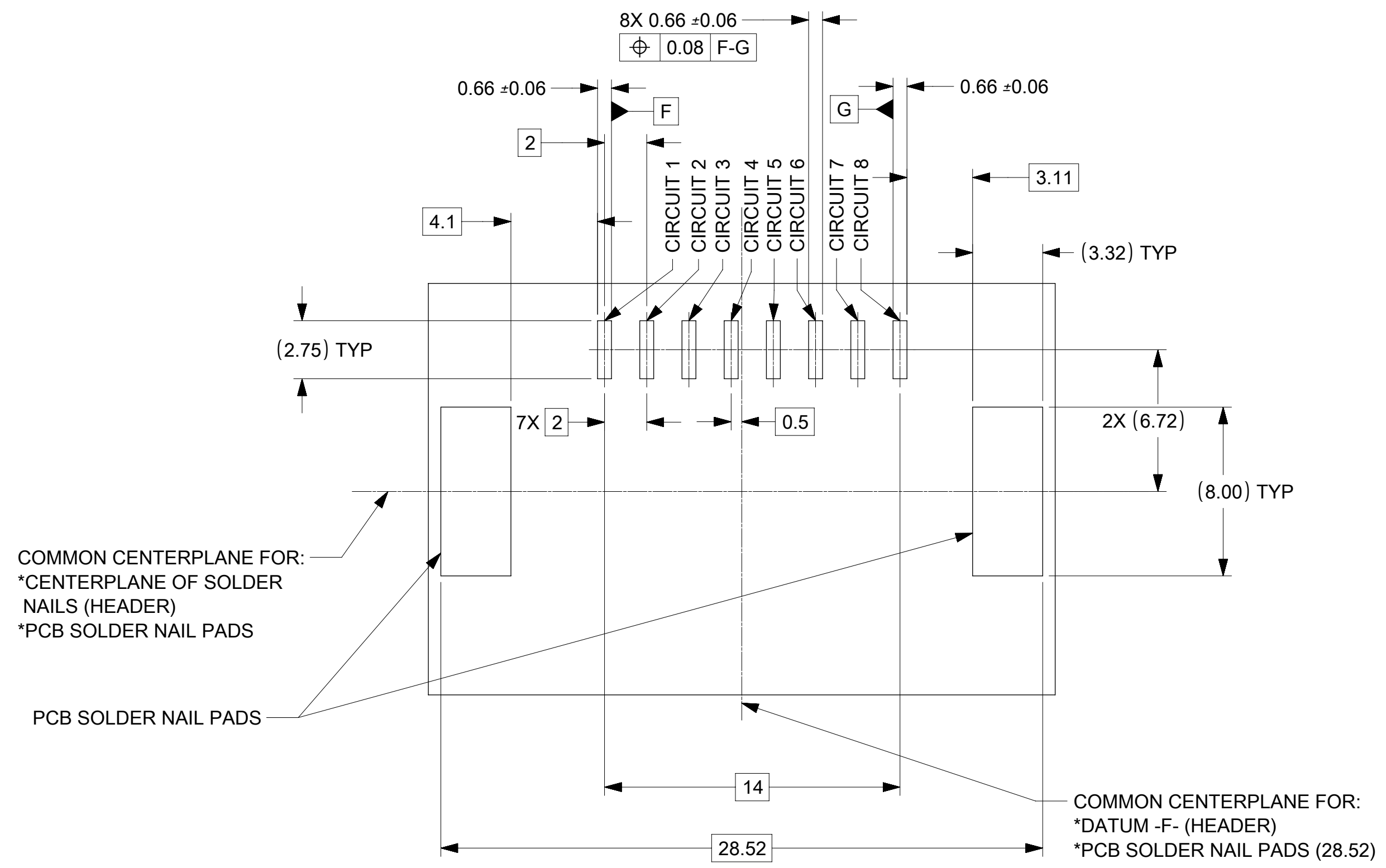
4 WAY (BOTTOM VIEW)



8 WAY:



8 WAY (BOTTOM VIEW)



QUALITY SYMBOLS F = 0 E = 0 D = 0 C = 0 B = 0 A = 0 M1 = 0	THIS DRAWING CONTAINS INFORMATION THAT IS PROPRIETARY TO MOLEX ELECTRONIC TECHNOLOGIES, LLC AND SHOULD NOT BE USED WITHOUT WRITTEN PERMISSION									
	DRWN BY: SMAHESH BABU	DATE: 2017/02/17	GENERAL TOLERANCES (UNLESS SPECIFIED)		DIMENSION UNITS: MM ONLY	SCALE: 5:1				
	CHKD BY: TMACHUGA	DATE: 2012/05/23	ANGULAR TOL ± 1.0 °		DRWN BY: MYOUNG01	DATE: 2012/05/23				
	EC NO: 113373	DRWN: SMAHESH BABU	CHKD: TMACHUGA	APPR: TMACHUGA	4 PLACES ±	CHKD BY: DATE	PRODUCT CUSTOMER DRAWING			
	M1	DATE: 2012/06/01	3 PLACES ±	APPR BY: SMARCEAU	DATE: 2012/06/01					
	2 PLACES ± 0.1	DRAWING SIZE: D	THIRD ANGLE PROJECTION	SERIES: 34912	MATERIAL NUMBER: SEE TABLE	CUSTOMER: GENERAL MARKET				
	1 PLACE ± 0.2	DRAFT WHERE APPLICABLE MUST REMAIN WITHIN DIMENSIONS		DOCUMENT NUMBER: SD-34912-001	DOC TYPE: PSD	DOC PART: 000	SHEET NUMBER: 4 OF 5			
	0 PLACES ±									

MINI 50 SMT SINGLE ROW ASSEMBLIES

GOLD:

MATERIAL NUMBER TUBE PACKAGING PK-31301-688	MATERIAL NUMBER TAPE AND REEL PACKAGING PK-31301-786	TOOLED	CONFIGURATION	CIRCUIT	POL	COLOR	BLADE PLATING	MATING COMPONENT	
								UN-BRIDGED	BRIDGED
N/A	34912-6020	NO	MOLEX	2	A	BLACK	GOLD		34791-0020
N/A	34912-6021	NO	MOLEX	2	B	GREY	GOLD		34791-0021
N/A	34912-6022	NO	MOLEX	2	C	DARK GRAY	GOLD		34791-0022
N/A	34912-6023	NO	MOLEX	2	D	GREEN	GOLD		34791-0023
34912-7040	34912-6040	NO	USCAR	4	A	BLACK	GOLD	34791-0040	34791-0140
34912-7041	34912-6041	NO	USCAR	4	B	GREY	GOLD	34791-0041	34791-0141
34912-7042	34912-6042	NO	USCAR	4	C	DARK GRAY	GOLD	34791-0042	34791-0142
34912-7043	34912-6043	NO	USCAR	4	D	GREEN	GOLD	34791-0043	34791-0143
34912-7080	34912-6080	NO	USCAR	8	A	BLACK	GOLD	34791-0080	34791-0180
34912-7081	34912-6081	NO	USCAR	8	B	GREY	GOLD	34791-0081	34791-0181
34912-7082	34912-6082	NO	USCAR	8	C	DARK GRAY	GOLD	34791-0082	34791-0182

TIN:

MATERIAL NUMBER TUBE PACKAGING PK-31301-688	MATERIAL NUMBER TAPE AND REEL PACKAGING PK-31301-786	CONFIGURATION	CIRCUIT	POL	COLOR	BLADE PLATING	MATING COMPONENT	
							UN-BRIDGED	BRIDGED
N/A	34912-8020	MOLEX	2	A	BLACK	TIN OVER NICKEL		34791-0020
N/A	34912-8021	MOLEX	2	B	GREY	TIN OVER NICKEL		34791-0021
N/A	34912-8022	MOLEX	2	C	DARK GRAY	TIN OVER NICKEL		34791-0022
N/A	34912-8023	MOLEX	2	D	GREEN	TIN OVER NICKEL		34791-0023
34912-9040	34912-8040	USCAR	4	A	BLACK	TIN OVER NICKEL	34791-0040	34791-0140
34912-9041	34912-8041	USCAR	4	B	GREY	TIN OVER NICKEL	34791-0041	34791-0141
34912-9042	34912-8042	USCAR	4	C	DARK GRAY	TIN OVER NICKEL	34791-0042	34791-0142
34912-9043	34912-8043	USCAR	4	D	GREEN	TIN OVER NICKEL	34791-0043	34791-0143
34912-9080	34912-8080	USCAR	8	A	BLACK	TIN OVER NICKEL	34791-0080	34791-0180
34912-9081	34912-8081	USCAR	8	B	GREY	TIN OVER NICKEL	34791-0081	34791-0181
34912-9082	34912-8082	USCAR	8	C	DARK GRAY	TIN OVER NICKEL	34791-0082	34791-0182

QUALITY SYMBOLS 	THIS DRAWING CONTAINS INFORMATION THAT IS PROPRIETARY TO MOLEX ELECTRONIC TECHNOLOGIES, LLC AND SHOULD NOT BE USED WITHOUT WRITTEN PERMISSION											
	EC NO: 113373 DRWN: SMANESHABU CHKD: REV APPR: TMACHUGA	2016/12/08 2017/02/17	GENERAL TOLERANCES (UNLESS SPECIFIED)		DIMENSION UNITS	SCALE	 2, 4, 8 CKT MINI 50 SMT ASSEMBLY SALES DRAWING PRODUCT CUSTOMER DRAWING					
			ANGULAR TOL ± 1.0 °		MM ONLY	10:1						
			4 PLACES ±	DRWN BY	DATE	MYOUNG01					2012/05/23	
			3 PLACES ±	CHKD BY	DATE							
			2 PLACES ± 0.1	APPR BY	DATE	SMARCEAU					2012/06/01	
	1 PLACE ± 0.2	DRAWING SIZE	THIRD ANGLE PROJECTION	D								
	0 PLACES ±	DRAFT WHERE APPLICABLE MUST REMAIN WITHIN DIMENSIONS				SERIES	MATERIAL NUMBER	CUSTOMER				
				34912	SEE TABLE	GENERAL MARKET			DOCUMENT NUMBER	DOC TYPE	DOC PART	SHEET NUMBER
				SD-34912-001	PSD	000	5 OF 5					