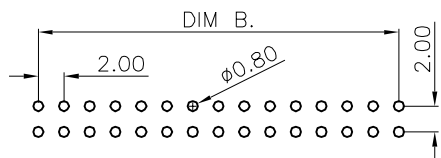
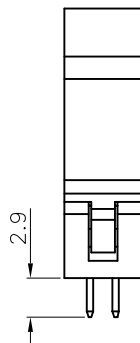
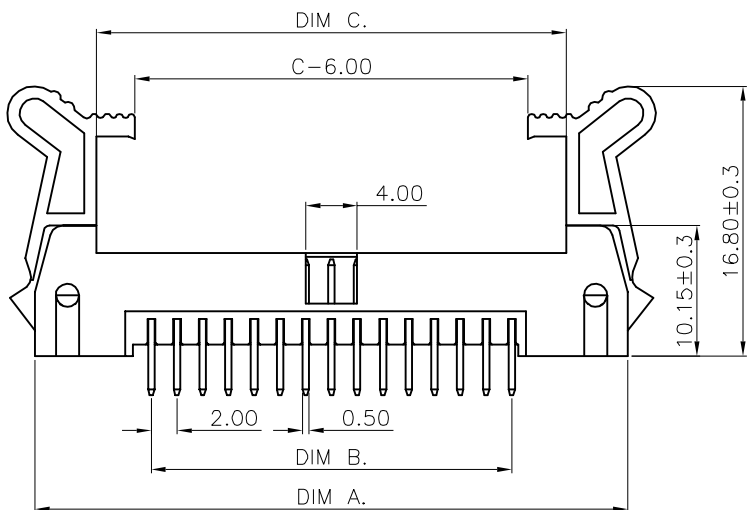
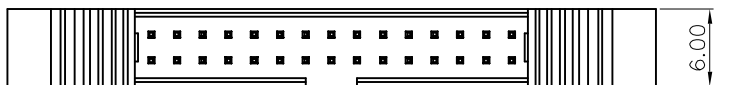


客户确认	
日期	

标记	版次	变更内容	日期
	A版	新版图面	15-04-25



NOTE:

MATERIAL

HOUSING: GLASS-REINFORCED THERMOPLASTIC UL 94V-0.

CONTACT: COPPER ALLOY.

CONTACT PLATING: GOLD OVER NICKEL.

ELECTRICAL

CURRENT RATING: 1AMP.

DIELECTRIC WITHSTANDING VOLTAGE: 500VAC MIN.

CONTACT RESISTANCE: 20mΩ MAX.

INSULATION RESISTANCE: 1000MΩ MIN.

ENVIRONMENTAL

TEMPERATURE RANGE: -25° C TO +85° C.

DIMENSION TABLE:

POS	Dimensions			POS	Dimensions		
	DIM A.	DIM B.	DIM C.		DIM A.	DIM B.	DIM B.
6pin	22.00	4.00	13.00	28pin	44.00	26.00	35.00
8pin	24.00	6.00	15.00	30pin	46.00	28.00	37.00
10pin	26.00	8.00	17.00	34pin	50.00	32.00	41.00
12pin	28.00	10.00	19.00	36pin	52.00	34.00	43.00
14pin	30.00	12.00	21.00	40pin	56.00	38.00	47.00
16pin	32.00	14.00	23.00	44pin	60.00	42.00	51.00
18pin	34.00	16.00	25.00	50pin	66.00	48.00	57.00
20pin	36.00	18.00	27.00	60pin	76.00	58.00	67.00
24pin	40.00	22.00	31.00	64pin	80.00	62.00	71.00
26pin	42.00	24.00	33.00				

TOLERANCE TABLE	
.0	±0.25
.00	±0.15
.000	±0.05

核准:	日期:	深圳市灿科盟实业有限公司 CHANKLEMENT INDUSTRYCO., LTD			
业务:	日期:				
品名规格: 310-2S-XP (2.0牛角长耳)		产品型号:	/		
		单位	mm	比例	/
制图:	日期:	图纸编号:	Ckmtw-310-00022	版本	A
luli-Liu	2015-04-25				