
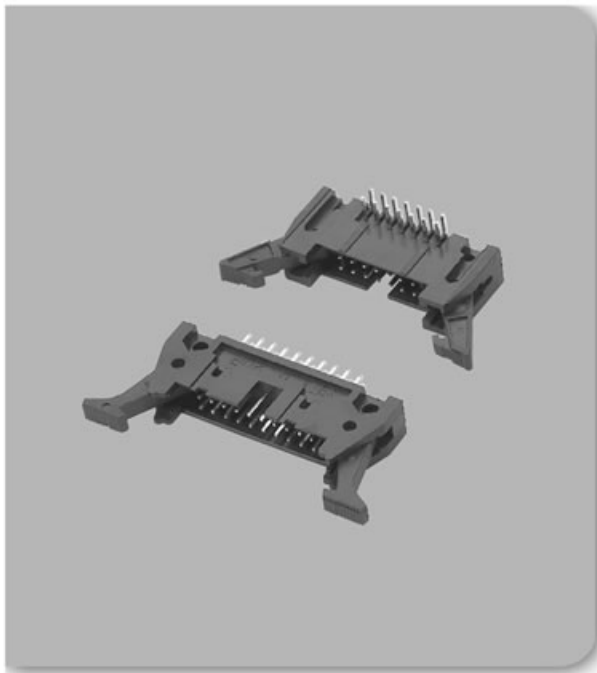


产品详细信息 introduce



线对板连接器 >> A2541

 产品订购


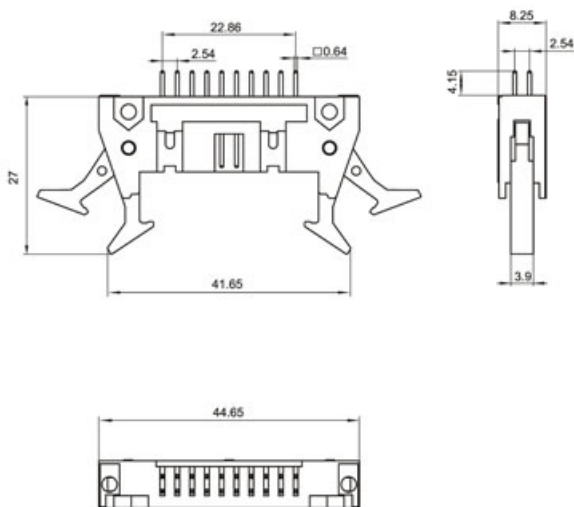
◆ SPECIFICATIONS

Unit:mm

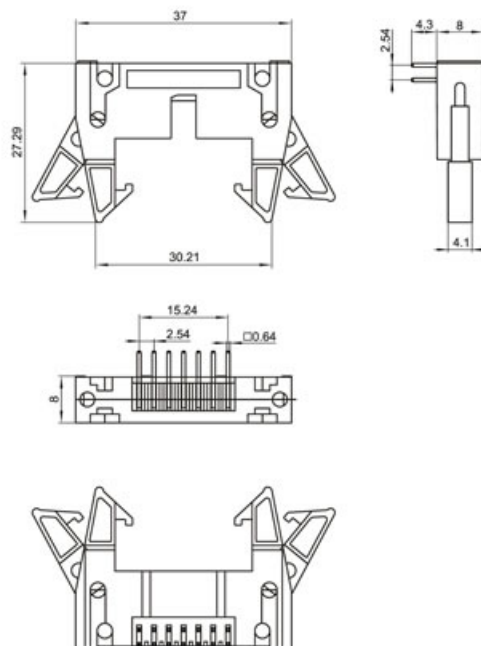
- ◇ Poles: 2x10 2x7
- ◇ Applicable wire: AWG#28-#22
- ◇ Voltage rating: 250V DC/AC
- ◇ Current rating: 2.5A
- ◇ Withstand voltage: 800V AC
- ◇ Working Temperature: -25°C ~ +85°C
- ◇ Insulation resistance: $\geq 1000M\Omega$
- ◇ Contact resistance: $\leq 0.02\Omega$
- ◇ Applicable PC board thickness: 0.6~1.2mm

 UL:Recognized No.E309635
 RoHS-specification and
 Halogen-free products


A2541-nA



A2541-nAW



点击次数: 854 发布时间: 2010-6-14 【打印】 【返回】

 产品订购