

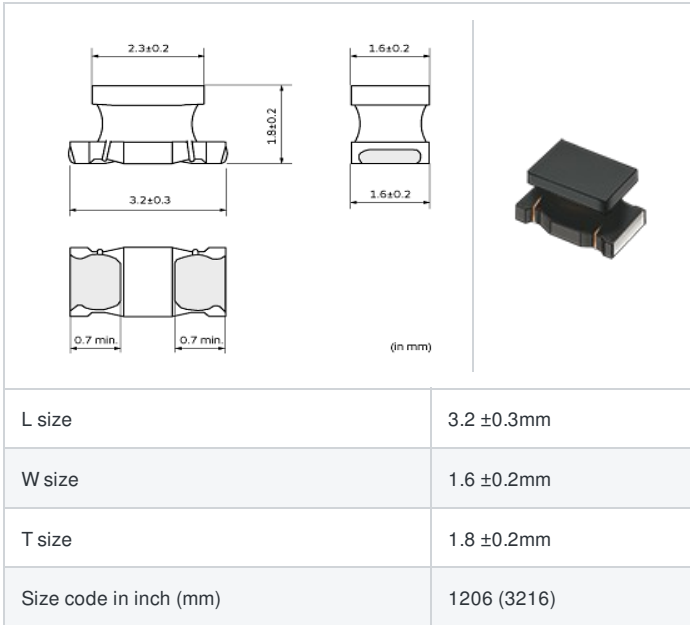
# LQH31MNR47K03#

“#” indicates a package specification code.



< List of part numbers with package codes >  
LQH31MNR47K03L , LQH31MNR47K03K

## Shape



## Notes

When rated current is applied to the products, self-temperature rise shall be limited to 20 °C max and inductance will be within ±10% of initial inductance value.

## References

Packaging code	Specifications	Minimum quantity
L	φ180mm Embossed taping	2000
K	φ330mm Embossed taping	7500

Mass (Typ.)	
1 piece	0.029g

## Specifications

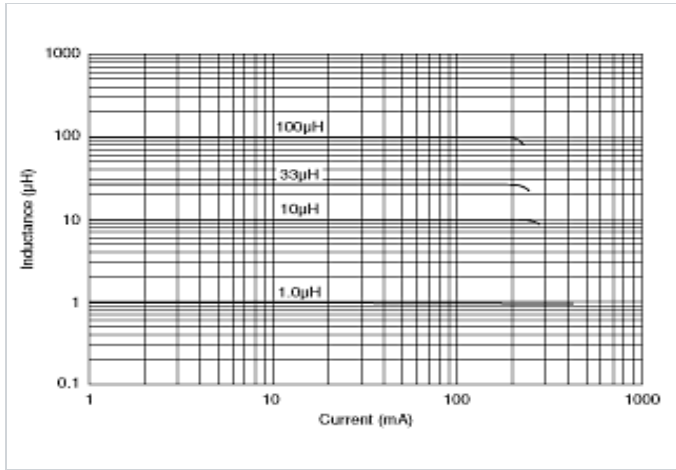
Inductance	0.47μH ±10%
Inductance test frequency	1MHz
Rated current (Itemp) (Based on Temperature rise)	215mA
Max. of DC resistance	1.162Ω
Avg. of DC resistance	0.83Ω±40%
Q (min.)	30
Q test frequency	25.2MHz
Self resonance frequency (min.)	200MHz
Operating temperature range (Self-temperature rise is not included)	-40~85°C
Class of magnetic shield	No Shield
Series	LQH31MN_03

### Attention

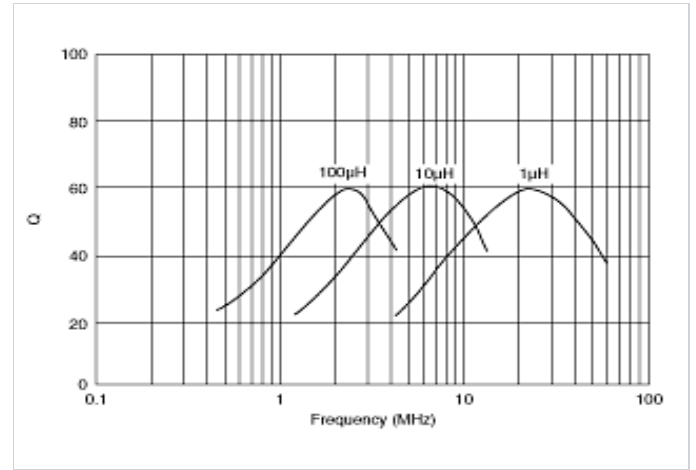
- 1.This datasheet is downloaded from the website of Murata Manufacturing Co., Ltd. Therefore, it's specifications are subject to change or our products in it may be discontinued without advance notice. Please check with our sales representatives or product engineers before ordering.
- 2.This datasheet has only typical specifications because there is no space for detailed specifications. Therefore, please review our product specifications or consult the approval sheet for product specifications before ordering.

**Chart of characteristic data (The charts below may show another part number which shares its characteristics.)**

▪ Inductance-Current characteristics (Typ.)



▪ Q-Frequency characteristics (Typ.)



**⚠ Attention**

- 1.This datasheet is downloaded from the website of Murata Manufacturing Co., Ltd. Therefore, it's specifications are subject to change or our products in it may be discontinued without advance notice. Please check with our sales representatives or product engineers before ordering.
- 2.This datasheet has only typical specifications because there is no space for detailed specifications. Therefore, please review our product specifications or consult the approval sheet for product specifications before ordering.