

# 規格承認書

PECIFICATION FOR APPROVAL

客戶  
CUSTOMER : \_\_\_\_\_  
項目  
ITEM : 貼片式压电无源蜂鸣器 (外部驱动)  
型號  
TYPE : GSC2270YB-3V4000  
描述  
DESCRIPTION :  $\phi$  22 x 7.0 mm 4000Hz 3V  $\geq$ 80DB 正发音 PPS 材质  
客戶料號  
CUSTOMER NO. : \_\_\_\_\_  
規格書號  
SPECIFICATION NO.: \_\_\_\_\_  
版本  
EDITION NO. : V1.0  
日期  
DATE : 2016-10-18

## 客戶承認

### CUSTOMER CONFIRM AND SIGN

檢查 TESTED BY	審核 CHECKED BY	承認 APPROVED BY

## 東莞市贏海電子有限公司

### DONGUAN INGHAI ELECTRONICS CO.,LTD

製作 ISSUED BY	審查 CHECKED BY	確認 APPROVED BY
周明	刘承成	

地址：廣東省東莞市長安鎮廈邊元灶頭工業區 16-6 號

電話 / TEL: 0769-83060958 傳真 / FAX: 0769-81608993

## A. SCOPE

This specification applies SMD piezoelectric buzzer, GSC2270YB-3V4000

## B. SPECIFICATION

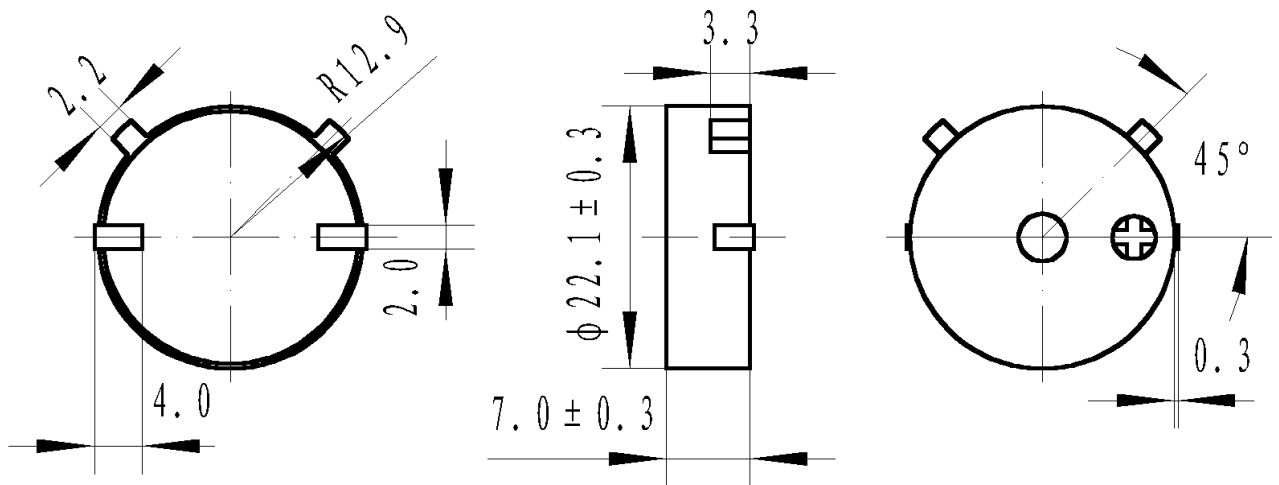
1	Model No.	GSC2270YB
2	Rated Voltage (Vp-p)	3
3	Operating Voltage (Vp-p)	1~30
4	Resonant Frequency (Hz)	4000
5	Static Capacitance at 100Hz 1V (PF)	19000±30%
6	*Sound Output at 10cm	≥80
7	*Current Consumption (mA) at Rated Voltage	≤5
8	Operating Temperature (°C)	-30~+85
9	Storage Temperature (°C)	-40~+85
10	Weight (g)	0.3
11	Housing Material	PPS
12	RoHS	Yes

### Measuring condition

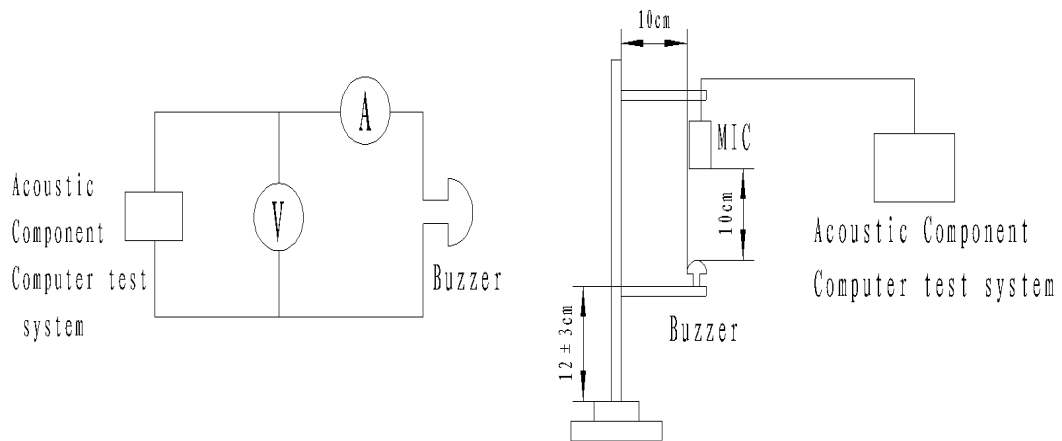
Part shall be measured under a condition (Temperature: 5~35°C, Humidity: 45%~85%R.H., Atmospheric pressure: 860~1060hPa) unless the standard condition (Temperature: 25±3°C, Humidity: 60±10%R.H. Atmospheric pressure: 860~1060hPa) is regulated to measure.

## C. APPEARANCE DRAWING

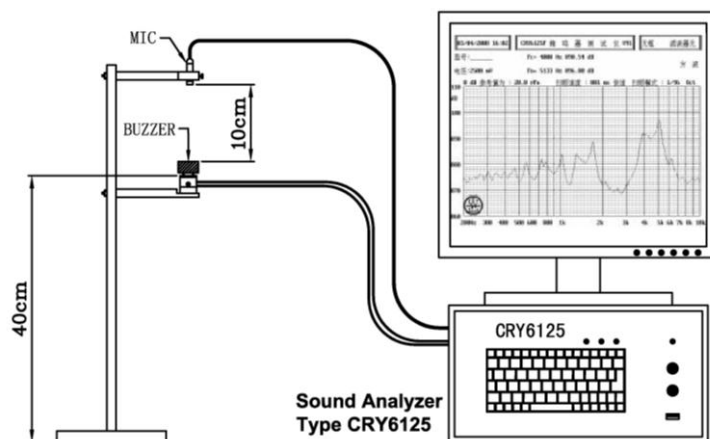
Tolerance: ±0.5mm Except Specified



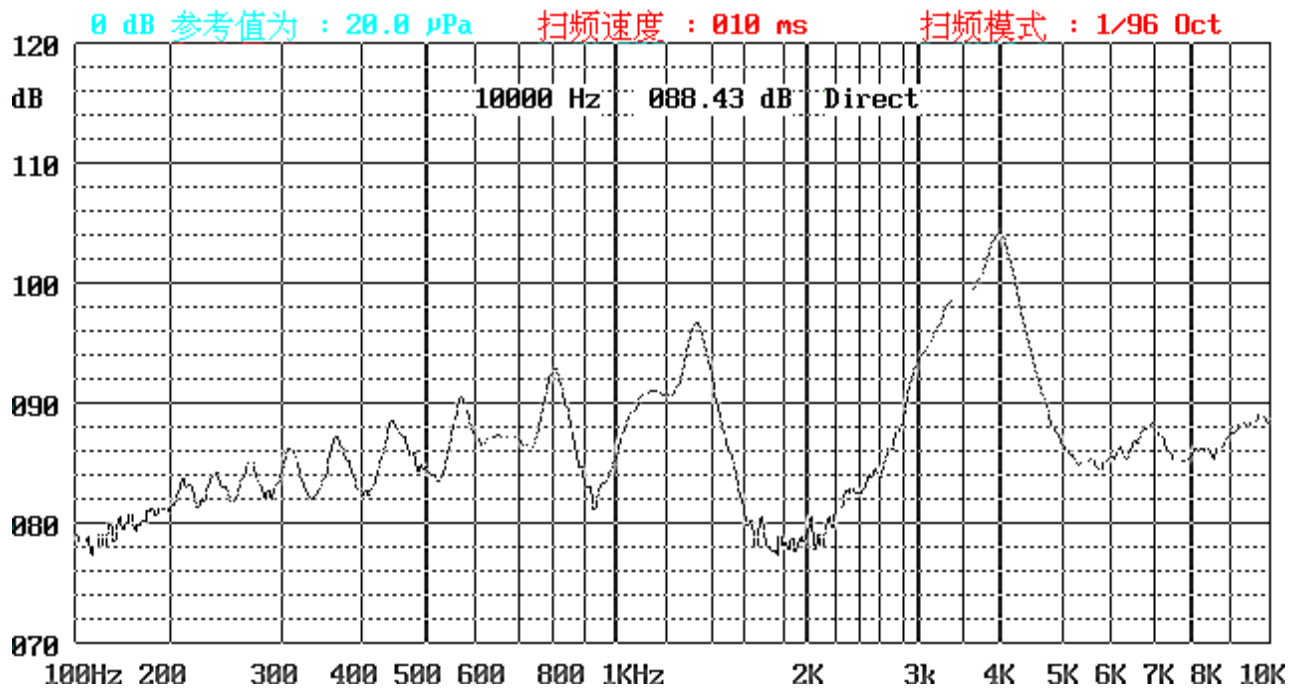
**D: TEST METHOD:**



In the measuring test, buzzer is placed as follows:



**E: FREQUENCY RESPONSE:**



## **F: Reliability Test**

After any following tests the part shall meet specifications without any degradation in appearance and performance except SPL. SPL shall not deviate more than -10 dB from the initial value

### **1. Ordinary Temperature Life Test**

The part shall be subjected to 96 hours at  $25 \pm 10^{\circ}\text{C}$ . Input rated voltage Resonant frequency, 1/2 duty Square wave.

### **2. High Temperature Test**

The part shall be capable of with standing a storage temperature of  $+85^{\circ}\text{C}$  for 96 hours.

### **3. Low Temperature Test**

The part shall be capable of with standing a storage temperature of  $-40^{\circ}\text{C}$  for 96 hours.

### **4. Humidity Test**

Temperature:  $+40^{\circ}\text{C} \pm 3^{\circ}\text{C}$  Relative Humidity: 90%~95% Duration: 48 hours and expose to room temperature for 6 hours

### **5. Temperature Shock Test**

Temperature:  $85^{\circ}\text{C}$  /1hour →  $25^{\circ}\text{C}$ /3hours →  $-30^{\circ}\text{C}$ /1hour →  $25^{\circ}\text{C}$ /3hours (1cycle)  
Total cycle: 10 cycles

### **6. Drop Test**

Standard Packaging From 120mm (Drop on hard wood or board of 5cm thick, three sides, six plain.)

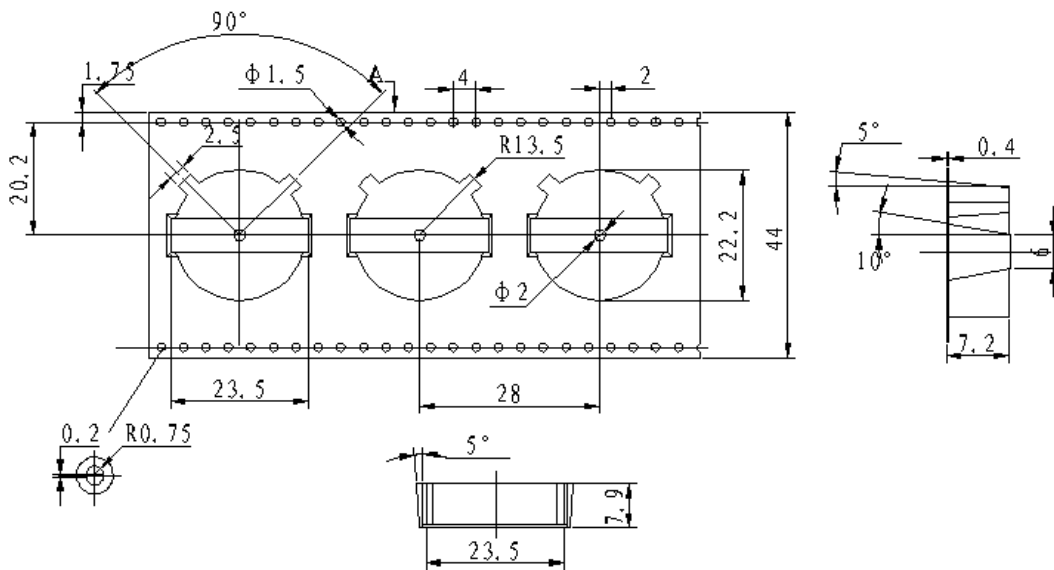
### **7. Vibration Test**

Vibration: 1000cycles /min. Amplitude: 1.5mm, Duration: 1 hour in each 3 axes

### **Note:**

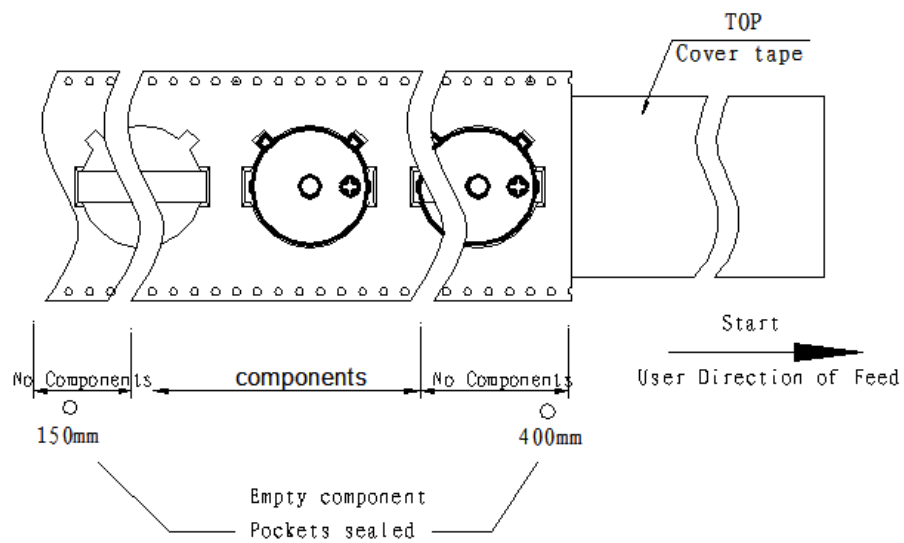
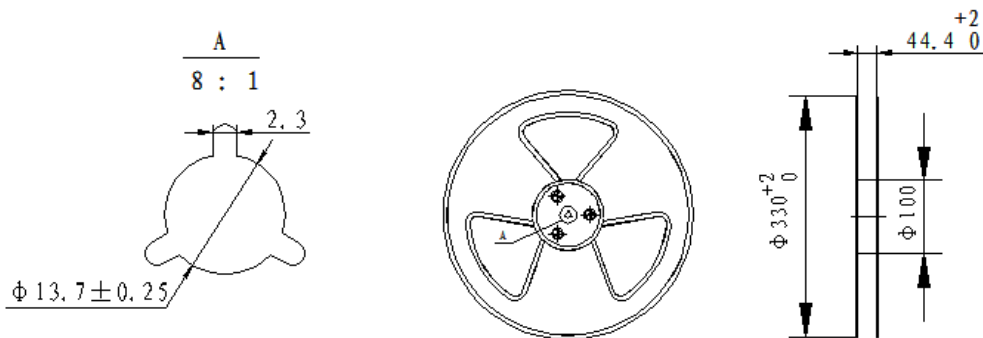
As this product is not protected from foreign material entering, please make sure that any foreign materials (e.g. magnetic powder, washing solvent, flux, corrosive gas) do not enter this product in your production processes. The functional degradation (e.g. SPL down) may occur if foreign material enter it.

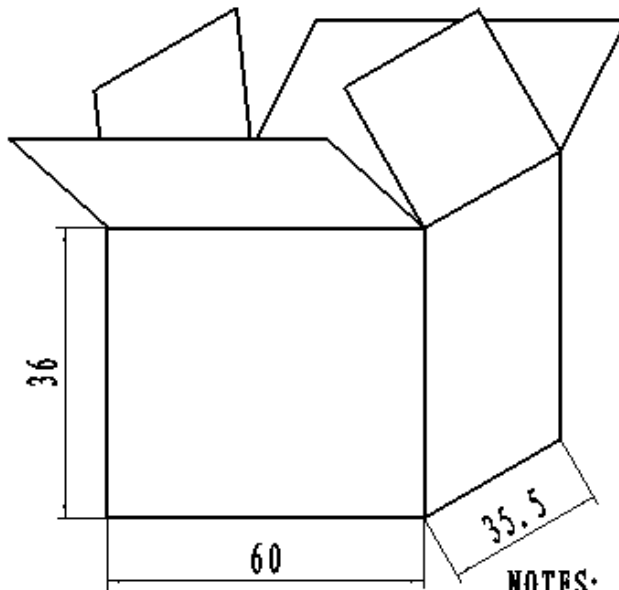
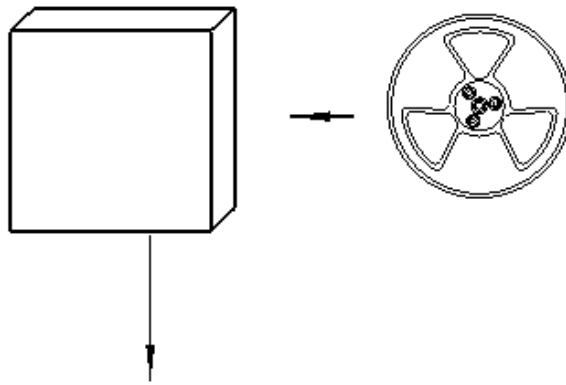
# PACKING:



**NOTE:**

1. 10 sprocket hole pitch cumulative tolerance  $\pm 0.2$ mm.
2. All dimensions meet BIA-481-D requirements.
3. Thickness:  $0.4 \pm 0.05$ mm.
4. Component loaded per 13" reel: 300 pcs.





**NOTES:**

1. 300 PCS /tray
2. 10 trays/carton
3. 3000 PCS/carton in total
4. volume: 60x36x36cm