

規格承認書

PECIFICATION FOR APPROVAL

客戶
CUSTOMER : _____
項目
ITEM : 压电无源蜂鸣器 (外部驱动)
型號
TYPE : GPC24055L100-5V4000 线长可定制
描述
DESCRIPTION : $\Phi 24 \times H5.5 \text{ mm}$ 4000Hz 5V $\geq 80\text{DB}$ at 10cm L=50 mm
客戶料號
CUSTOMER NO. : _____
規格書號
SPECIFICATION NO.: _____
版本
EDITION NO. : V1.1
日期
DATE : 2012-12-3

客戶承認

CUSTOMER CONFIRM AND SIGN

檢查 TESTED BY	審核 CHECKED BY	承認 APPROVED BY

東莞市贏海電子有限公司

DONGUAN INGHAIELECTRONICS CO.,LTD

製作 ISSUED BY	審查 CHECKED BY	確認 APPROVED BY
周明	李林	

地址：廣東省東莞市長安鎮上沙管理區北橫路 8 號

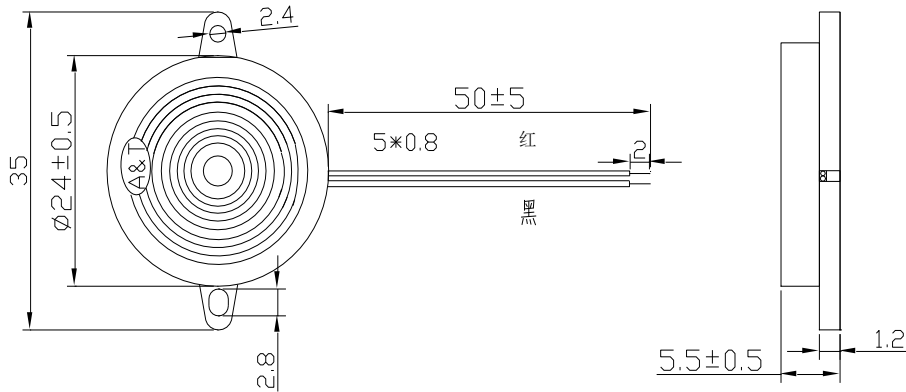
電話 / TEL: 0769-83060958 傳真 / FAX: 0769-81608993

網址: [HTTP://WWW.INGHAI.COM](http://WWW.INGHAI.COM)

DONGGUAN INGHAI ELECTRONICS CO.,LTD

Model NO: GPC24055L100-5V4000

A: DIMENSIONS Unit:mm Tolerance: ± 0.5



B: SPECIFICATIONS

Customer:		Part No:		
Product: Magnetic Buzzers		INGHAI Part No: GPC24055L100-5V4000		
Technical Terms				
Resonant Frequency (KHZ)		4.0 \pm 0.5		
Rated Voltage (V_{P-P})		5.0		
Operating Voltage (V_{P-P})		1~30		
Max. Current Consumption at Rated Voltage (mA)		2.0		
Capacitance at 1000Hz (Pf)		17000 \pm 30%		
Min. Sound Output at 10cm at Rated Voltage (dB)		90		
Operating Temperature ($^{\circ}$C)		-20~+85		
Storage Temperature ($^{\circ}$C)		-30~+85		
Housing Material		ABS(Black)		
Buzzer		Soldering Parameter		
Soldering process		Temp.($^{\circ}$C)	Time(Sec.)	Times
Inclusive Lead	Reflow soldering	230 \pm 10	above 170$^{\circ}$C time 40~70	2
	Wave soldering	245 \pm 5	3~6	1~2
	Manual soldering	330 \pm 10	1~2	1~2
Lead Free	Reflow soldering	245 \pm 15	above 180$^{\circ}$C time 40~70	3
	★ Wave soldering	260 \pm 5	4~8	2~3
	★ Manual soldering	350 \pm 10	1~3	2~3

C: Reliability Test

After any following tests the part shall meet specifications without any degradation in appearance and performance except SPL. SPL shall not deviate more than -10 dB from the initial value

1. Ordinary Temperature Life Test

The part shall be subjected to 96 hours at $25 \pm 10^\circ\text{C}$. Input rated voltage Resonant frequency, 1/2 duty Square wave.

2. High Temperature Test

The part shall be capable of with standing a storage temperature of $+70^\circ\text{C}$ for 96 hours.

3. Low Temperature Test

The part shall be capable of with standing a storage temperature of -30°C for 96 hours.

4. Humidity Test

Temperature: $+40^\circ\text{C} \pm 3^\circ\text{C}$ Relative Humidity: 90%~95% Duration: 48 hours and expose to room temperature for 6 hours

5. Temperature Shock Test

Temperature: 60°C /1hour → 25°C /3hours → -30°C /1hour → 25°C /3hours (1cycle)
Total cycle: 10 cycles

6. Drop Test

Standard Packaging From 120mm (Drop on hard wood or board of 5cm thick, three sides, six plain.)

7. Vibration Test

Vibration: 1000cycles /min. Amplitude: 1.5mm, Duration: 1 hour in each 3 axes

Note:

As this product is not protected from foreign material entering, please make sure that any foreign materials (e.g. magnetic powder, washing solvent, flux, corrosive gas) do not enter this product in your production processes. The functional degradation (e.g. SPL down) may occur if foreign material enter it.

Measuring condition

Part shall be measured under a condition (Temperature: $5 \sim 35^\circ\text{C}$, Humidity: 45%~85%R.H., Atmospheric pressure: 860 ~1060hPa) unless the standard condition (Temperature: $25 \pm 3^\circ\text{C}$, Humidity: $60 \pm 10\%$ R.H. Atmospheric pressure: 860 ~1060hPa) is regulated to measure.