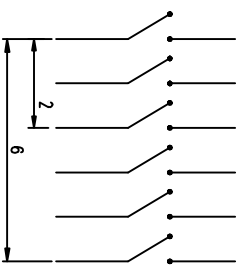
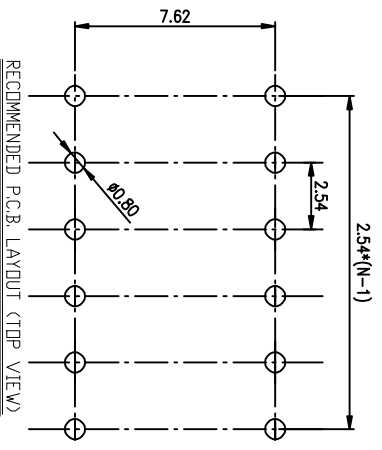
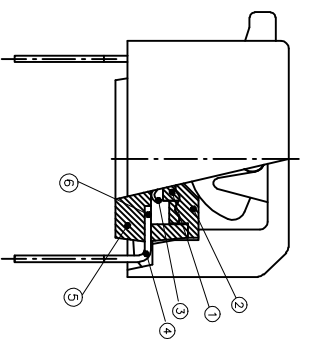
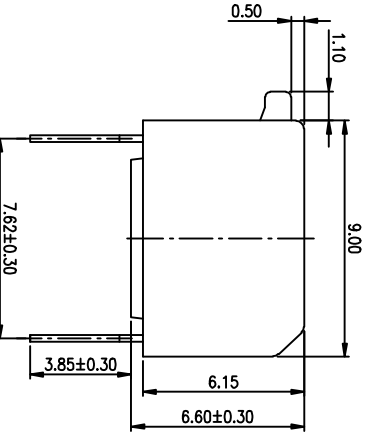
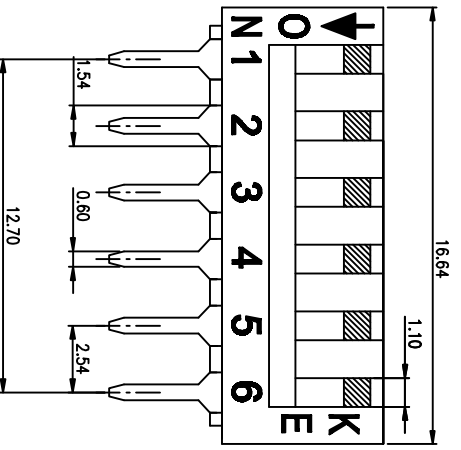


PRODUCT NO.	DSPV06LHGCT
RoHS compliant	



DS XX I S G E T

[Packing: T=Tube R=Reel]
 [Finish: F=3u" Gold-plated F=10u" Gold-plated]
 [Finish: G=Full Gold S=Contact-Gold-plated]
 [Terminal: S=SMD type B=Strait.....]
 [Actuator: T=Tape sealed S=Low profile W/O Tape L=Extension]
 [HP=Half Pitch IC=IC type PV=Plano type]

- NOTES : 1 Specification:
- 1>.Operating force: 10000gf Max
 - 2>.Operating Temperature: -40° to+85°
 - 3>.Storage Temperature: -40° to+85°
 - 4>.Mechanical Life: 3000cycles minimum
 - 5>.Electrical Life: 2000cycles minimum
2. PLATING:
 GOLD FLASH 1u"(min.) SOLDER TALL,
 3u" GOLD PLATING ON THE CONTACT AREA,
 WITH 50u" NICKEL UNDERPLATING OVERALL.
3. CONTACT RATING:
 1. SWITCHING: 25mA at 24VDC
 2. NON-SWITCHING: 100mA at 50VDC
 WITH 50u" NICKEL UNDERPLATING OVERALL.
4. PART NUMBER DESCRIPTION :

REV.	ECN NO.	DR	DATE

Number	Part Name	Material	Finished
①	Actuator	UL94 V0	White
②	Cover	UL94 V0	Black
③	Movable	Copper Alloy	3u" Gold
④	Terminal	Brass	1u" Gold
⑤	Base	UL94 V0	Black
⑥	Terminal Contact	Brass	3u" Gold

TOLERANCE UNLESS OTHERWISE SPECIFIED	ANGLES	PROJECTION
0 ± 0.25	0 ± 2°	
.00 ± 0.15	.0 ± 1°	
.000 ± 0.10	.00 ± 0.5°	

INSPECTION COPY	TITLE
DESIGN	BY DSPV SERIES PITCH 2.54mm
CHECK	PRODUCT FAMILY DSPV SERIES
APPRO.	PRAT NO. DSPV06LHGCT

FILE NO.	UNIT	SCALE	SHEET	REV.
A4	mm	2 : 1	TOP-1	A



东莞市广睿实业有限公司
 Dongguan Kingtek Industrial Co., Ltd.