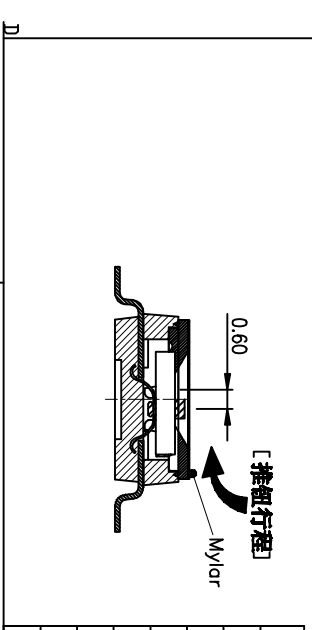
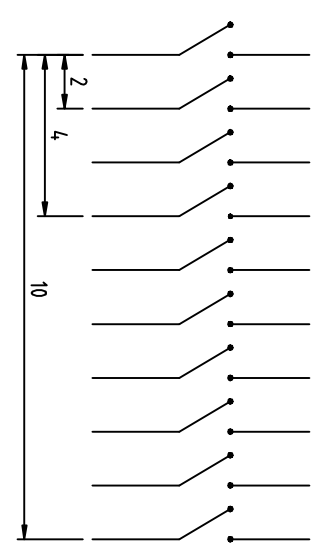
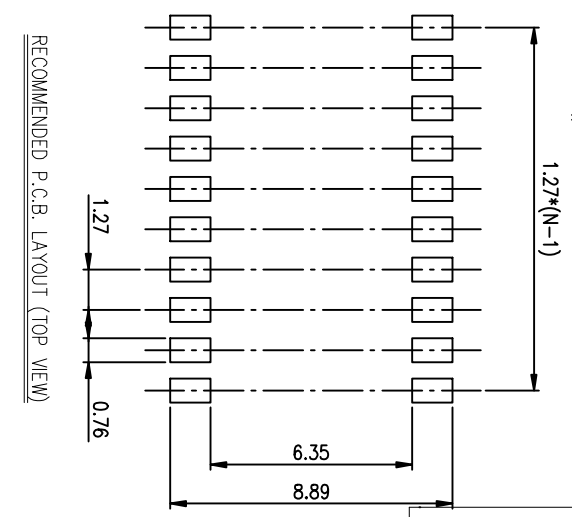
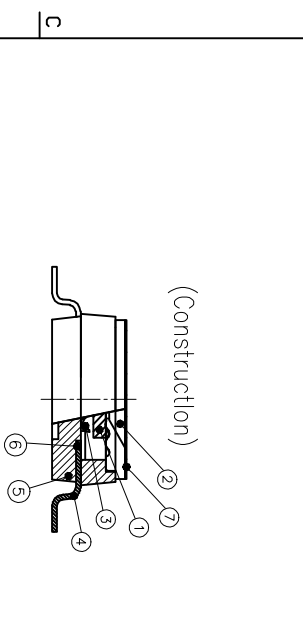
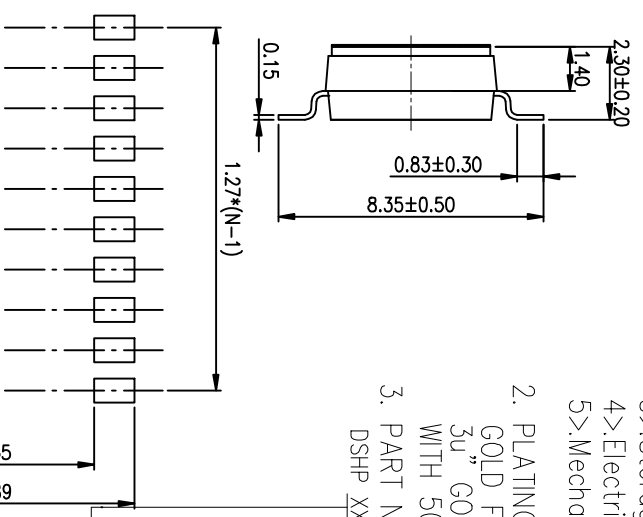
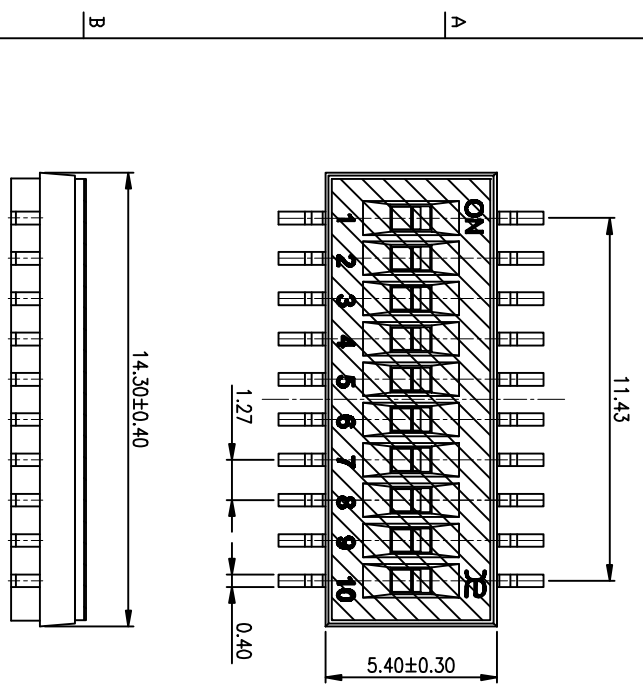


PRODUCT NO.	DSHP10TSGER
RoHS compliant	

NOTES :1.Specification:

- 1> Operating force: 1000gf Max
- 2> Operating Temperature: -40° to+85°
- 3> Storage Temperature: -40° to+85°
- 4> Electrical Life: 1000cycles 25mA 24VDC
- 5> Mechanical Life: 3000cycles Operations

2. PLATING:
GOLD FLASH 1u"(min.) SOLDER TAIL,
3u" GOLD PLATING ON THE CONTACT AREA,
WITH 50u" NICKEL UNDERPLATINGOVERALL.
3. PART NUMBER DESCRIPTION :
DSHP XX I S G E R



Number	Part Name	Material	Finished
①	Actuator	UL94 V0	White
②	Cover	UL94 V0	Black
③	Movable	Beryllium Copper	3u" Gold
④	Terminal	Brass	1u" Gold
⑤	Base	UL94 V0	Black
⑥	Terminal Contact	Brass	3u" Gold
⑦	Mylar	UL94 V0	0.05mm

TOLERANCE UNLESS OTHERWISE SPECIFIED		INSPECTION COPY	
LINER	ANGLES	PROJECTION	
0 ± 0.25	0 ± 2'		
.00 ± 0.15	.0 ± 1'		
.000± 0.10	.00± 0.5'		
DESIGN	kathy	03/20/12	
DRAWING			
CHECK			
APPRO.			

FILE NO.	DSHP10TSGER-A
SIZE	A4
UNIT	mm
SCALE	2 : 1
SHEET	1 OF 1
REV.	A

东莞市广智实业有限公司
Dongguan Kingtek Industrial Co., Ltd.

BY DSHP SERIES PITCH 1.27mm
PRODUCT FAMILY DSHP SERIES

PRAT NO. DSHP10TSGER