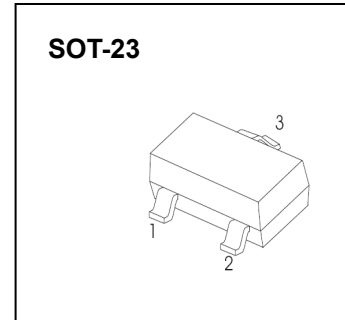




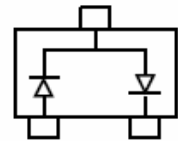
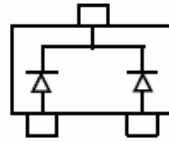
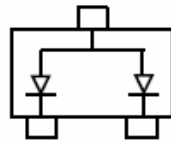
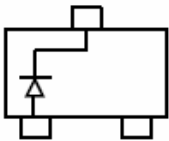
SOT-23 Plastic-Encapsulate Diodes

MMBD4148A/SE/CC/CA SWITCHING DIODE



FEATURES

- Fast Switching Speed
- For General Purpose Switching Applications
- High Conductance



MARKING:

MMBD4148A:5H

MMBD4148CA :D6

MMBD4148CC :D5

MMBD4148SE :D4

Maximum Ratings @Ta=25°C

| Parameter | Symbol | Limit | Unit |
|--|-----------------|----------|------|
| Non-Repetitive Peak Reverse Voltage | V_{RM} | 100 | V |
| Peak Repetitive Peak Reverse Voltage | V_{RRM} | 100 | V |
| Working Peak Reverse Voltage | V_{RWM} | | |
| DC Blocking Voltage | V_R | | |
| RMS Reverse Voltage | $V_{R(RMS)}$ | 53 | V |
| Forward Continuous Current | I_{FM} | 300 | mA |
| Average Rectified Output Current | I_O | 200 | mA |
| Peak Forward Surge Current @t=1.0µs | I_{FSM} | 2.0 | A |
| @ t=1.0s | | 1.0 | |
| Power Dissipation | P_D | 350 | mW |
| Thermal Resistance Junction to Ambient | $R_{\theta JA}$ | 357 | °C/W |
| Junction Temperature | T_j | 150 | °C |
| Storage Temperature | T_{STG} | -55~+150 | °C |

Electrical Ratings @Ta=25°C

| Parameter | Symbol | Min | Typ | Max | Unit | Conditions |
|-------------------------------|-------------|-----|-----|-----|------|--|
| Reverse breakdown voltage | $V_{(BR)1}$ | 100 | | | V | $I_R=100\mu A$ |
| | $V_{(BR)2}$ | 75 | | | V | $I_R=5\mu A$ |
| Forward voltage | V_F | | | 1 | V | $I_F=10mA$ |
| Reverse current | I_{R1} | | | 5 | µA | $V_R=75V$ |
| | I_{R2} | | | 25 | nA | $V_R=25V$ |
| Capacitance between terminals | C_T | | | 4 | pF | $V_R=0V, f=1MHz$ |
| Reverse recovery time | t_{rr} | | | 4 | ns | $I_F=I_R=10mA, V_R=6V, I_{rr}=0.1 \times I_R, R_L=100\Omega$ |

Typical Characteristics

MMBD4148CC

