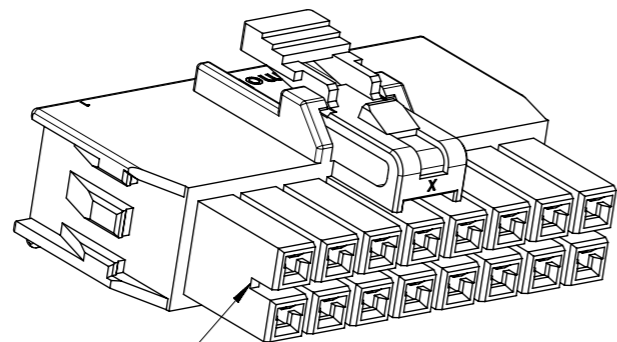


NOTES:

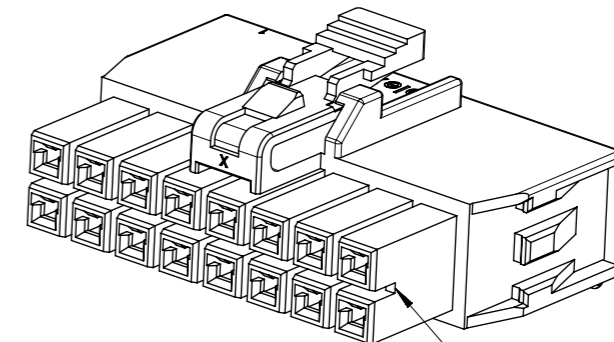
- MATERIAL:
 OPTION 1: PA4T, 30% GLASS FILLED, 94V-0, BLACK
 OPTION 2: PA4T, 30 GLASS FILLED, 94V-0, NATUAL.
- PRODUCT SPECIFICATION: PS-105300-100.
- PACKAGE SPECIFICATION: PK-105308-100.
- THE COMPONENT COMPLIANT TO RoHS DIRECTIVE 2011/65/EU AND ELV DIRECTIVE 2000/53/EC.
- TO MATE WITH TERMINAL OF 105300-****.
 TO MATE WITH TPA OF 105325-****.
 TO MATE WITH HEADER OF 105310-****, 105312-**** AND 105314-****.
- PARTS CONFORM TO CLASS 'B' REQUIREMENTS OF COSMETIC SPECIFICATION PS-45499-002.
- APPLICATION SPECIFICATION: AS-105300-100.

QUALITY SYMBOLS ▽A = 0 ▽E = 0 ▽B = 0 ▼ = 0 ▽C = 0 ⊗ = 0 ■ = 0 ▽ = 0	THIS DRAWING CONTAINS INFORMATION THAT IS PROPRIETARY TO MOLEX ELECTRONIC TECHNOLOGIES, LLC AND SHOULD NOT BE USED WITHOUT WRITTEN PERMISSION									
	2017/03/29	2017/05/15	GENERAL TOLERANCES (UNLESS SPECIFIED)		DIMENSION UNITS	SCALE				
	EC NO: 115635 DRWN: GLLI CHK'D: APPR: AYIN	C	ANGULAR TOL ± 3.0 °		MM	3:1				
			4 PLACES ±	DRWN BY GLLI		DATE 2014/08/13				
3 PLACES ±			CHK'D BY		DATE					
2 PLACES ± 0.2			APPR BY AYIN		DATE 2015/04/08					
1 PLACE ± 0.3	DRAFT WHERE APPLICABLE MUST REMAIN WITHIN DIMENSIONS		DRAWING SIZE	THIRD ANGLE PROJECTION	SERIES 105308 MATERIAL NUMBER SEE SHEET 4 CUSTOMER GENERAL MARKET					
0 PLACES ±			A3		DOCUMENT NUMBER SD-105308-100 DOC TYPE PSD DOC PART 000 SHEET NUMBER 1 OF 4					

E

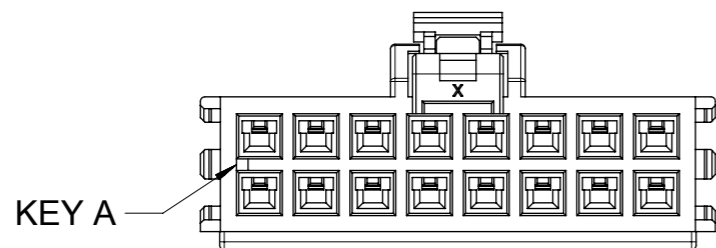


KEY A

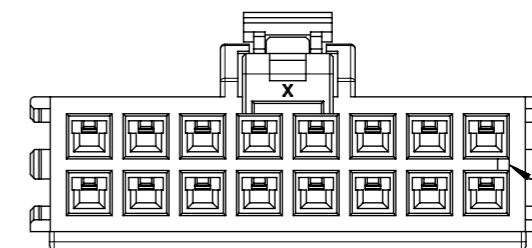


KEY B

D



KEY A



KEY B

BLACK

NATURAL

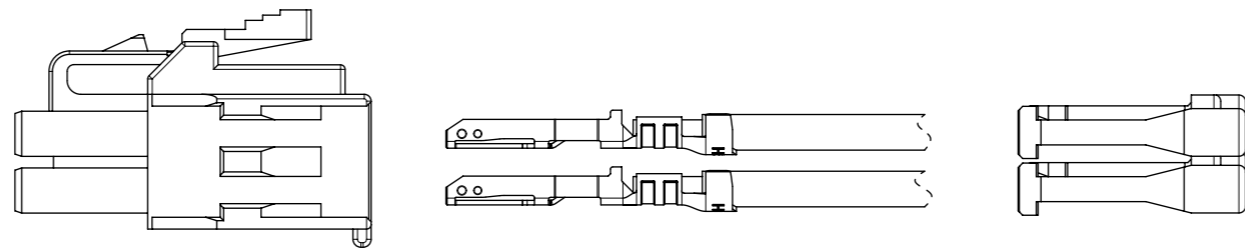
B

COLOR OPTION

A

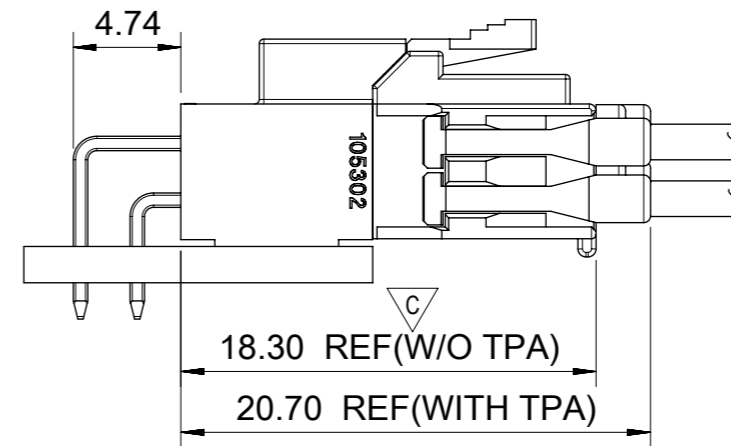
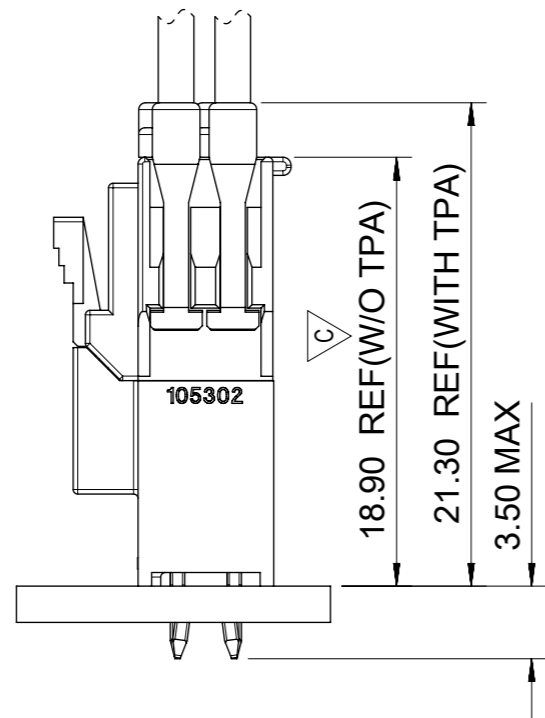
QUALITY SYMBOLS ▽ _A = 0 ▽ _E = 0 ▽ _F = 0 ▼ = 0 ▽ _C = 0 ⊠ = 0 ■ = 0 ▽ = 0	THIS DRAWING CONTAINS INFORMATION THAT IS PROPRIETARY TO MOLEX ELECTRONIC TECHNOLOGIES, LLC AND SHOULD NOT BE USED WITHOUT WRITTEN PERMISSION											
	EC NO: 115635 DRWN: GLLI CHK'D: APPR: AYIN	2017/03/29	2017/05/15	GENERAL TOLERANCES (UNLESS SPECIFIED)		DIMENSION UNITS	SCALE					
				ANGULAR TOL ± 3.0 °		MM	3:1					
				4 PLACES ±	DRWN BY		DATE		RECEPTACLE OF NANO-FIT, D/R, TPA POWER CONNECTOR			
				3 PLACES ±	GLLI		2014/08/13					
				2 PLACES ± 0.2	CHK'D BY		DATE					
			1 PLACE ± 0.3	APPR BY		DATE		PRODUCT CUSTOMER DRAWING				
			0 PLACES ±	DRAFT WHERE APPLICABLE MUST REMAIN WITHIN DIMENSIONS		THIRD ANGLE PROJECTION		SERIES	MATERIAL NUMBER	CUSTOMER		
						A3		105308	SEE SHEET 4	GENERAL MARKET		
								DOCUMENT NUMBER		DOC TYPE	DOC PART	SHEET NUMBER
							SD-105308-100		PSD	000	2 OF 4	

E



TERMINAL AND TPA ORIENTATION

D

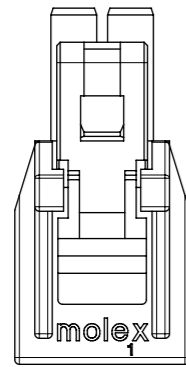


C

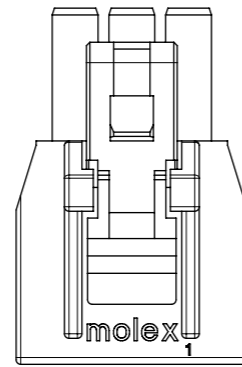
B

A

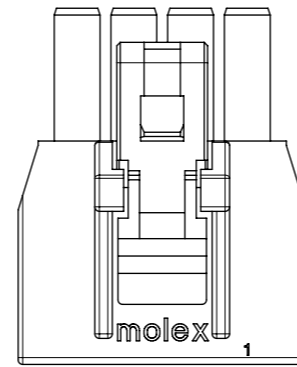
QUALITY SYMBOLS ▽A = 0 ▽E = 0 ▽F = 0 ▼ = 0 ▽C = 0 ⊗ = 0 ■ = 0 ▽ = 0	THIS DRAWING CONTAINS INFORMATION THAT IS PROPRIETARY TO MOLEX ELECTRONIC TECHNOLOGIES, LLC AND SHOULD NOT BE USED WITHOUT WRITTEN PERMISSION										
	2017/03/29	2017/05/15	GENERAL TOLERANCES (UNLESS SPECIFIED)		DIMENSION UNITS	SCALE					
			ANGULAR TOL ± 3.0 °		MM	3:1					
	EC NO: 115635 DRWN: GLLI CHK'D: APPR: AYIN	4 PLACES	±	DRWN BY		DATE		RECEPTACLE OF NANO-FIT, D/R, TPA POWER CONNECTOR			
		3 PLACES	±	GLLI		2014/08/13					
		2 PLACES	± 0.2	CHK'D BY		DATE					
		1 PLACE	± 0.3	APPR BY		DATE					
		0 PLACES	±	AYIN		2015/04/08					
	DRAFT WHERE APPLICABLE MUST REMAIN WITHIN DIMENSIONS			DRAWING SIZE	THIRD ANGLE PROJECTION		PRODUCT CUSTOMER DRAWING				
	A3			SERIES	MATERIAL NUMBER	CUSTOMER					
C	REV		105308	SEE SHEET 4	GENERAL MARKET						
			DOCUMENT NUMBER	DOC TYPE	DOC PART	SHEET NUMBER					
			SD-105308-100	PSD	000	3 OF 4					



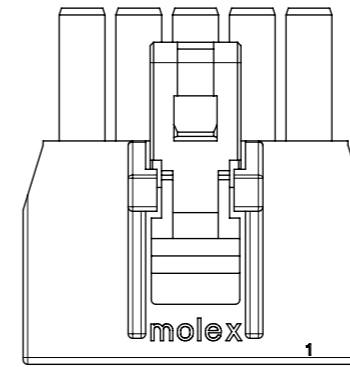
4 CKT



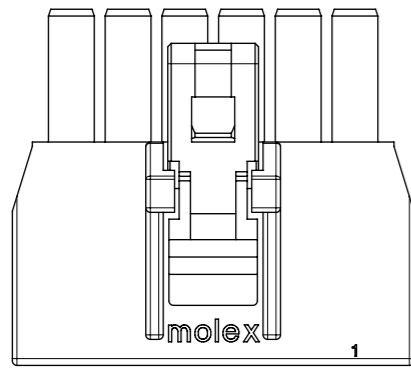
6 CKT



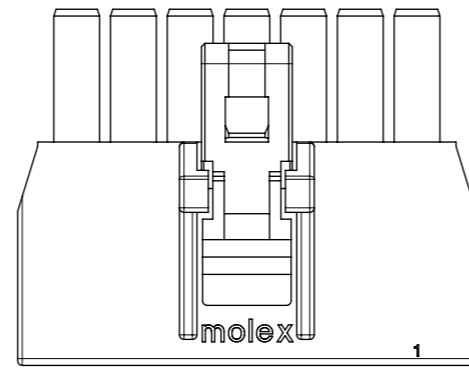
8 CKT



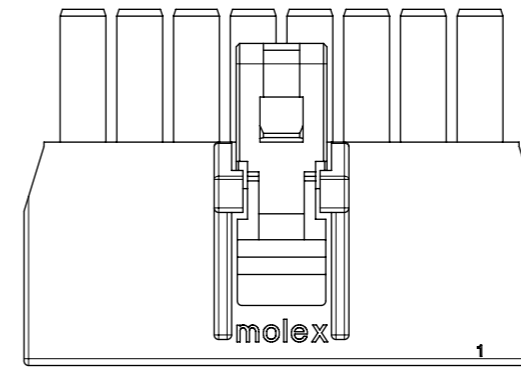
10 CKT



12 CKT



14 CKT



16 CKT

WITH TPA FEATURE			
PART No	DIM 'A'	CKT SIZE	COLOR
105308-1204	7.70	4	BLACK (KEY A)
105308-1206	10.20	6	
105308-1208	12.70	8	
105308-1210	15.20	10	
105308-1212	17.70	12	
105308-1214	20.20	14	
105308-2204	7.70	4	NATURAL (KEY B)
105308-2206	10.20	6	
105308-2208	12.70	8	
105308-2210	15.20	10	
105308-2212	17.70	12	
105308-2214	20.20	14	
105308-2216	22.70	16	

105308- * * * *

* - CIRCUIT SIZE
 * - TPA OPTION: 1 - STANDARD
 2 - WITH TPA
 * - COLOR OPTION: 1 - BLACK
 2 - NATURAL

THIS DRAWING CONTAINS INFORMATION THAT IS PROPRIETARY TO MOLEX ELECTRONIC TECHNOLOGIES, LLC AND SHOULD NOT BE USED WITHOUT WRITTEN PERMISSION											
QUALITY SYMBOLS ▽A = 0 ▽E = 0 ▽F = 0 ▼ = 0 ▽C = 0 ⊗ = 0 ■ = 0 ▽ = 0	EC NO: 115635 DRWN: GLLI CHK'D: APPR: AYIN	2017/03/29 2017/05/15	GENERAL TOLERANCES (UNLESS SPECIFIED)		DIMENSION UNITS	SCALE					
			ANGULAR TOL ± 3.0 °		MM	3:1					
4 PLACES ±			DRWN BY		DATE		RECEPTACLE OF NANO-FIT, D/R, TPA POWER CONNECTOR				
3 PLACES ±			GLLI		2014/08/13						
2 PLACES ± 0.2			CHK'D BY		DATE		PRODUCT CUSTOMER DRAWING				
1 PLACE ± 0.3			APPR BY		DATE						
0 PLACES ±			AYIN		2015/04/08		SERIES	MATERIAL NUMBER	CUSTOMER		
DRAFT WHERE APPLICABLE MUST REMAIN WITHIN DIMENSIONS			DRAWING SIZE		THIRD ANGLE PROJECTION		105308	SEE CHART	GENERAL MARKET		
			A3				DOCUMENT NUMBER		DOC TYPE	DOC PART	SHEET NUMBER
			C		3		SD-105308-100		PSD	000	4 OF 4