

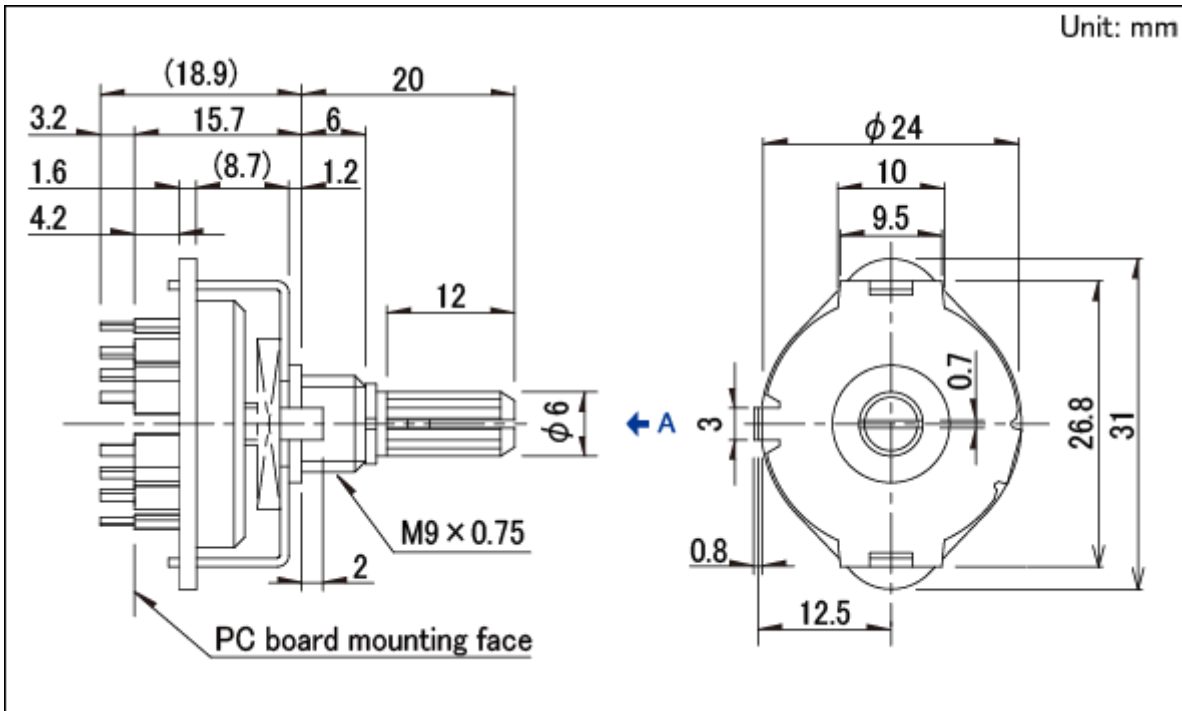


12-positions General-purpose Vertical Type SRRM Series

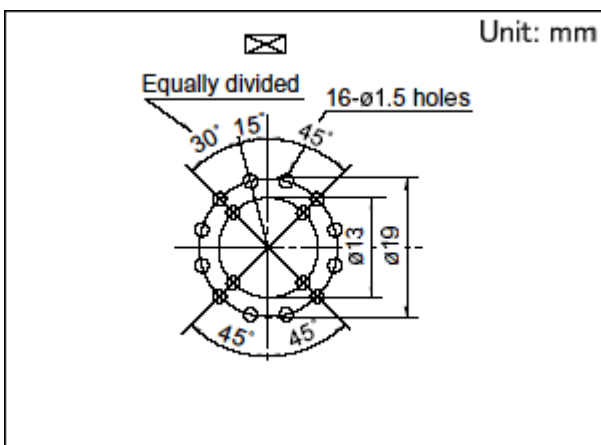
Poles		4	
Positions		3	
Changeover angle		30±3°	
Changeover timing		Shorting	
Rotational torque		80±30mN·m	
Actuator configuration		18-tooth serration	
Actuator length		L: 20mm	
Operating temperature range		-10°C to +60°C	
Rating (max.)/(min.) (Resistive load)		0.25A 30V DC/50μA 3V DC	
Electrical performance	Contact resistance (Initial performance/After lifetime)	20mΩ max./60mΩ max.	
	Insulation resistance	100MΩ min. 500V DC	
	Voltage proof	500V AC for 1 minute	
Mechanical performance	Terminal strength	10N for 1 minute	
	Actuator strength	Rotational direction	1N·m
		Push direction	100N
	Wobble of actuator (load at the tip of shaft: 5N)	Measuring position from mounting surface	15mm
		Shaft wobble (max. value)	0.25mm max.
	Applicable mounting dimension	20mm	
Durability	Operating life without load	10,000 cycles 40mΩ max.	
	Operating life with load (at max. rated load)	10,000 cycles, 60mΩ max.	

Environmental performance	Cold	-20±2°C for 96h
	Dry heat	85±2°C for 96h
	Damp heat	40±2°C, 90 to 95%RH for 96h
Minimum order unit (pcs.)	Japan	60
	Export	240

Dimensions



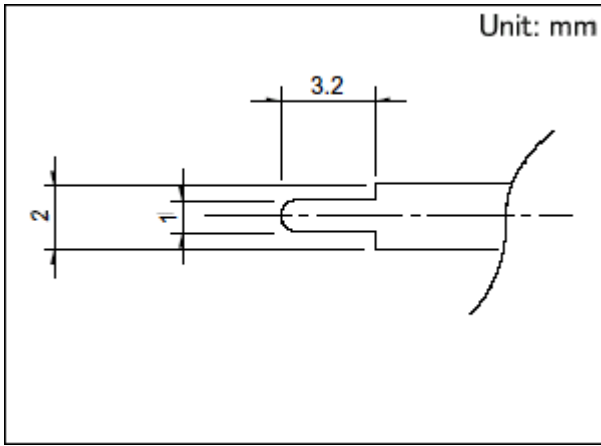
Mounting Hole Dimensions



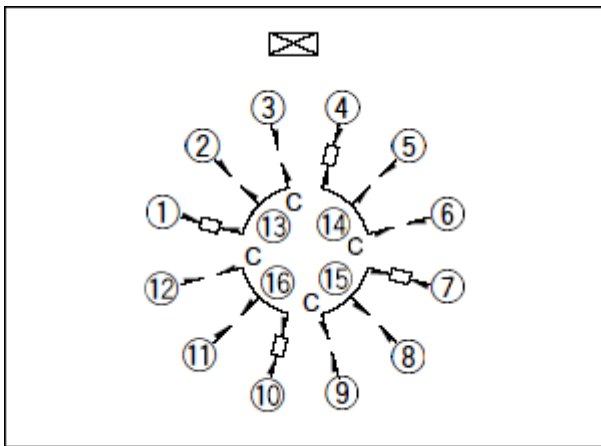
1. Viewed from direction A in the dimensions.
2. The following mark in the above table indicate a stopper with the shaft turned fully counterclockwise when viewed from direction A of the diagrams.



Terminal Configuration



Circuit Diagram



1. Note that the location of C terminal differs depending on the number of positions.
2. The following mark in the above table indicate a stopper with the shaft turned fully counterclockwise when viewed from direction A of the diagrams.



Packing Specifications

Bulk

Number of packages (pcs.)	1 case / Japan	60
	1 case / export packing	240

Export package measurements (mm) 400×270×270

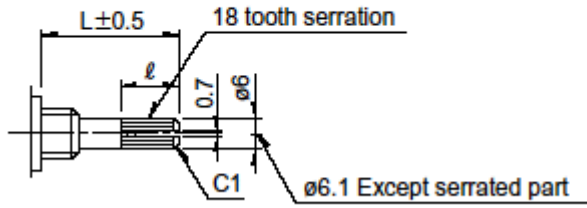
Shaft Style

*** 18-tooth Serration Shaft**

The shaft shows the position in which it is turned fully counterclockwise.

Die Casting Shaft

Unit : mm

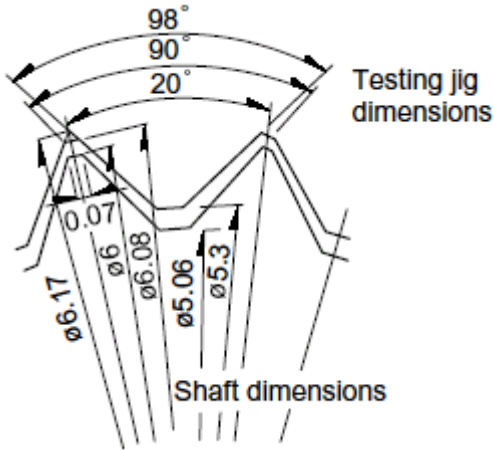


Unit : mm

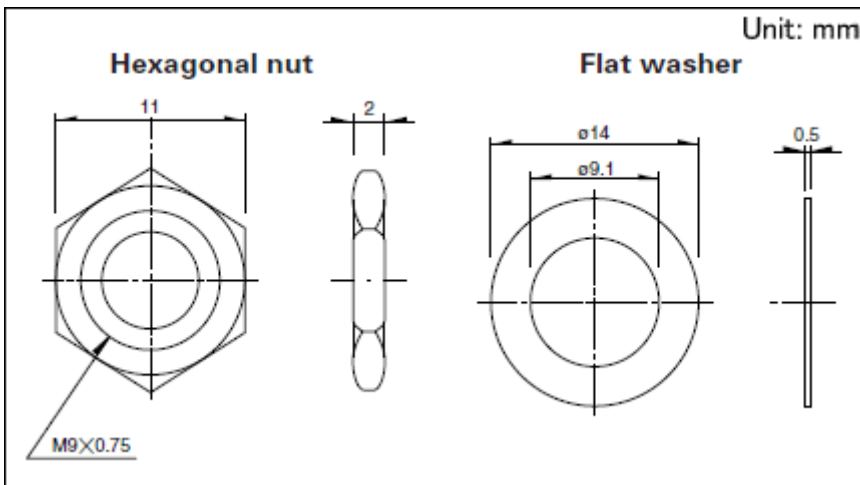
Shaft length L	ℓ
15	8
20	12

Details About Serration

- (1) The mold dimensions of standard serration and the dimensions of test jigs are as shown in the figure at left.
- (2) Position of the serration bottom
When the shaft is turned fully counterclockwise, the position of the serration bottom is on the AA line.
- (3) Slitting angle
The slitting angle (position) is not specified.



Attached Parts



The following parts are included with the product.

Soldering Conditions

Reference for Dip Soldering

Items	Preheating temperature	-
	Preheating time	-

Dip soldering	Soldering temperature	260±5°C
	Duration of immersion	10±1s

Reference for Hand Soldering

Soldering temperature	350±10°C
Soldering time	3+1/0s

Notes are common to this series/models.

1. This site catalog shows only outline specifications. When using the products, please obtain formal specifications for supply.
2. All the axis are die casting shafts.
3. Non shorting type requires external wiring of common terminals.
4. Please place purchase orders per minimum order unit (integer).
5. Products other than those listed in the above chart are also available. Please contact us for details.