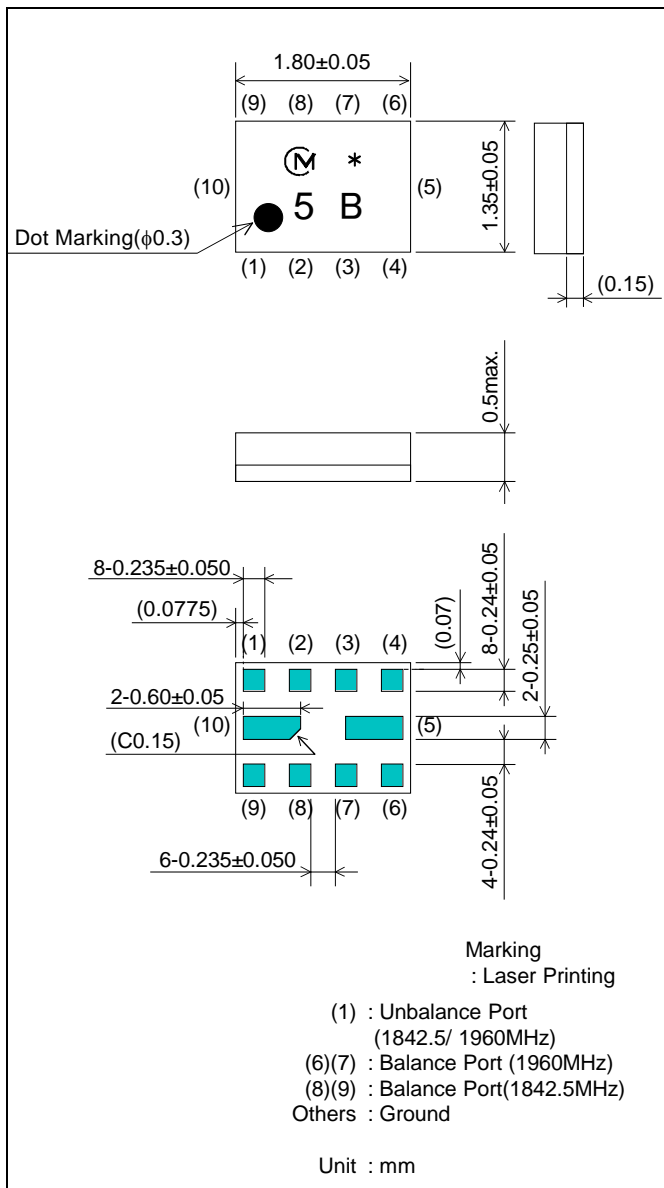


SAW FILTER FOR GSM1800/GSM1900 (Rx)

Murata part number : SAWEN1G84CV0F00 (fc=1842.5MHz)

Package Dimensions

Specification

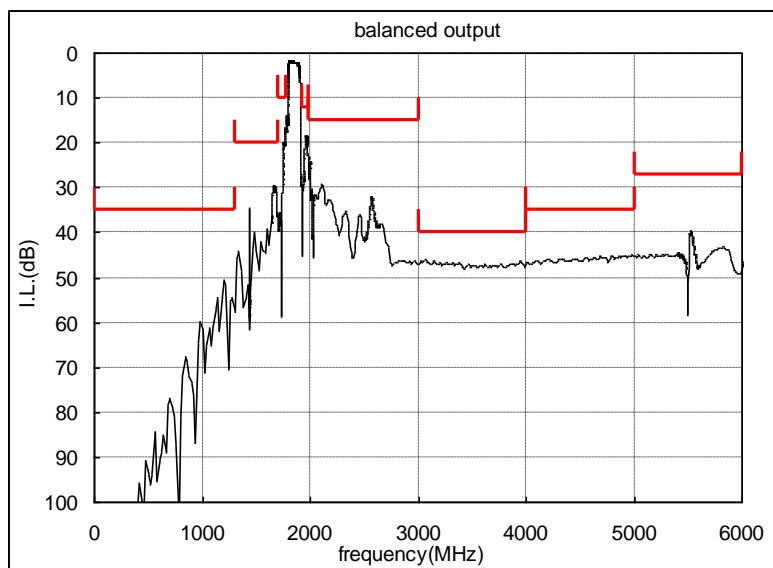
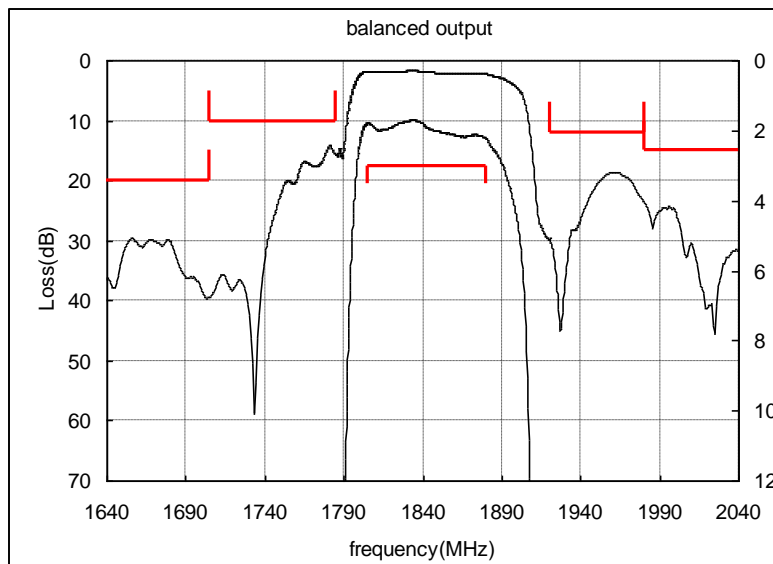


Item	Specification		
	-30 to 85°C	25±2°C	typ.
Nominal Center Frequency(fc)	1842.5MHz		
Insertion Loss (1805 to 1880MHz)	3.0 dB max.	2.5 dB max.	2.1 dB
Absolute Attenuation			
1) 0.1 to 1300 MHz	35 dB min.	35 dB min.	50 dB
2) 1300 to 1705 MHz	20 dB min.	20 dB min.	28 dB
3) 1705 to 1785 MHz	10 dB min.	11 dB min.	13 dB
4) 1920 to 1980 MHz	12 dB min.	13 dB min.	18 dB
5) 1980 to 3000 MHz	15 dB min.	15 dB min.	23 dB
6) 3000 to 4000 MHz	40 dB min.	40 dB min.	46 dB
7) 4000 to 5000 MHz	35 dB min.	35 dB min.	45 dB
8) 5000 to 6000 MHz	27 dB min.	27 dB min.	37 dB
Ripple Deviation (1805 to 1880MHz)	1.7dB max.	1.2dB max.	0.6 dB
VSWR (1805 to 1880MHz)	2.3 max.	2.1 max.	1.7
Amplitude Balance (1805 to 1880MHz)	±1.5dB max.	±1.2dB max.	0.7dB
Phase Balance (1805 to 1880MHz)	180±12deg. max.	180±10deg. max.	180+1.5deg.
Unbalance Port Matching Impedance (nominal)	50Ω//3.3nH		
Balance Port Matching Impedance (nominal)	150Ω//15nH		
Input Signal Level	20mW (+13dBm), 2000 hours		

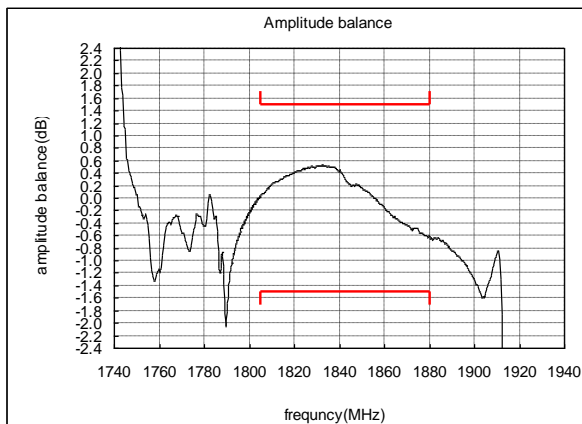
SAW FILTER FOR GSM1800/GSM1900 (Rx)

Murata part number : SAWEN1G84CV0F00 (fc=1842.5MHz)

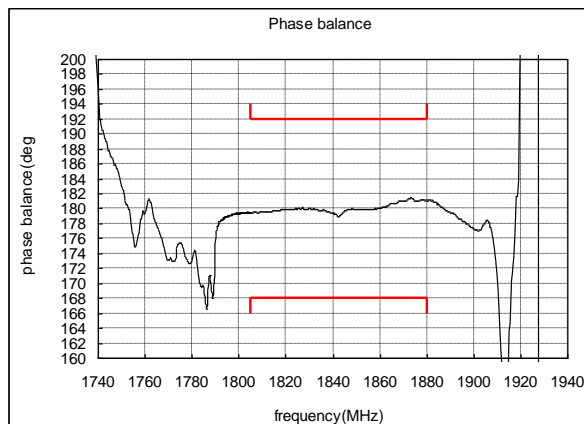
Frequency Performance



Amplitude balance



Phase balance

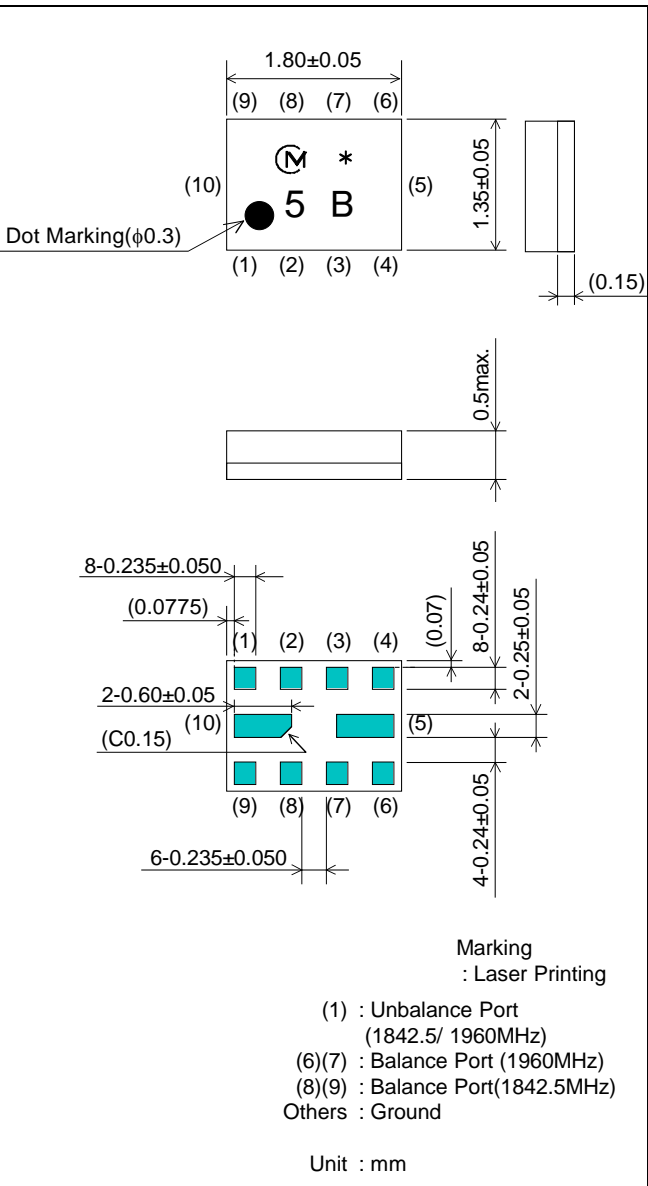


SAW FILTER FOR GSM1800/GSM1900 (Rx)

Murata part number : SAWEN1G84CV0F00 ($f_c=1960\text{MHz}$)

Package Dimensions

Specification

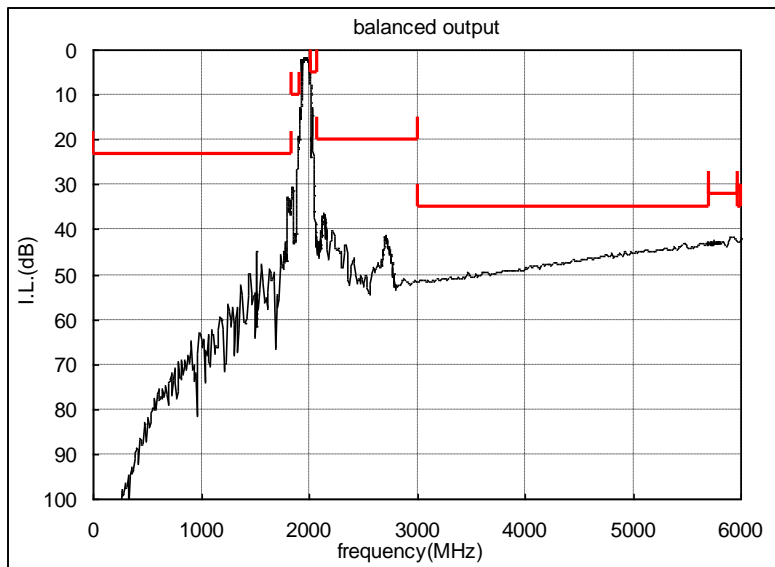
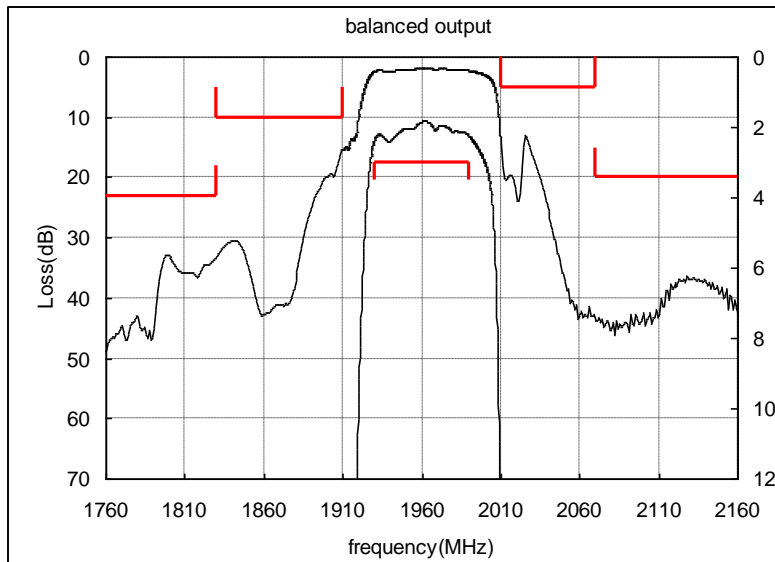


Item	Specification		
	-30 to 85°C	25±2°C	typ.
Nominal Center Frequency(fc)	1960MHz		
Insertion Loss (1930 to 1990MHz)	3.0 dB max.	2.7 dB max.	2.2 dB
Absolute Attenuation			
1) 0.1 to 1830 MHz	23 dB min.	23 dB min.	32 dB
2) 1830 to 1910 MHz	10 dB min.	11 dB min.	14 dB
3) 2010 to 2070 MHz	5 dB min.	10 dB min.	14 dB
4) 2070 to 3000 MHz	20 dB min.	20 dB min.	36 dB
5) 3000 to 5700 MHz	35 dB min.	35 dB min.	43 dB
6) 5700 to 5970 MHz	32 dB min.	32 dB min.	42 dB
7) 5970 to 6000 MHz	35 dB min.	35 dB min.	42 dB
Ripple Deviation (1930 to 1990MHz)	1.8dB max.	1.0dB max.	0.6 dB
VSWR (1930 to 1990MHz)	2.2 max.	2.0 max.	1.7
Amplitude Balance (1930 to 1990MHz)	±2.0dB max.	±1.8dB max.	1.1dB
Phase Balance (1930 to 1990MHz)	180±12deg. max.	180±9deg. max.	180+5.0deg.
Unbalance Port Matching Impedance (nominal)	50Ω//3.3nH		
Balance Port Matching Impedance (nominal)	150Ω//22nH		
Input Signal Level	20mW (+13dBm), 2000 hours		

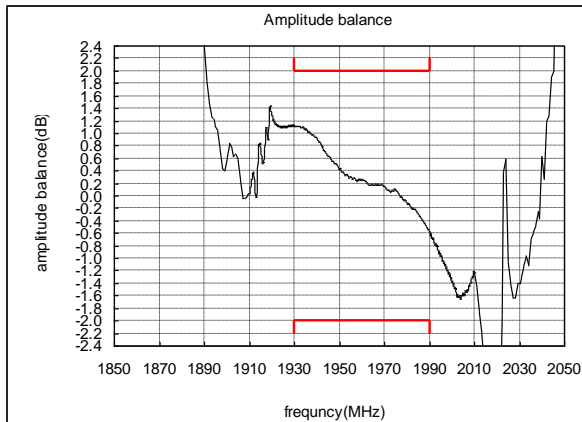
SAW FILTER FOR GSM1800/GSM1900 (Rx)

Murata part number : SAWEN1G84CV0F00 (fc=1960MHz)

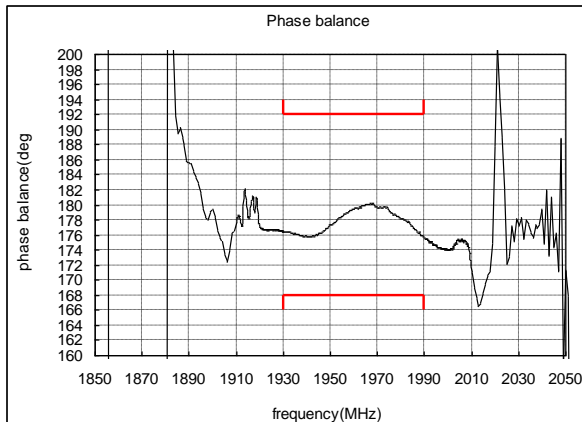
Frequency Performance



Amplitude balance



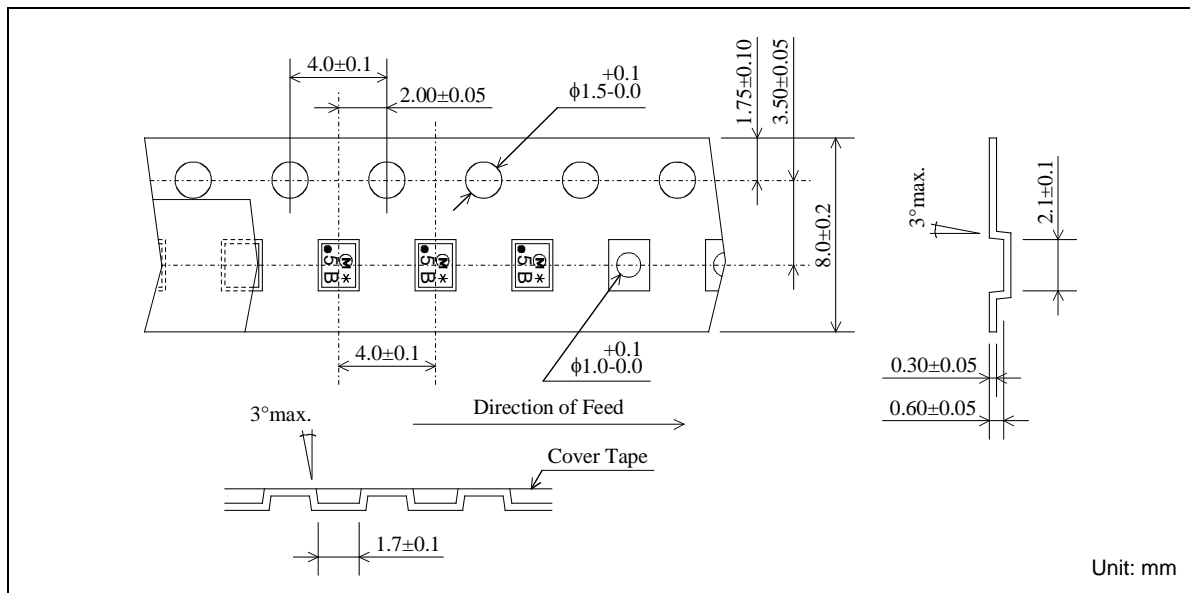
Phase balance



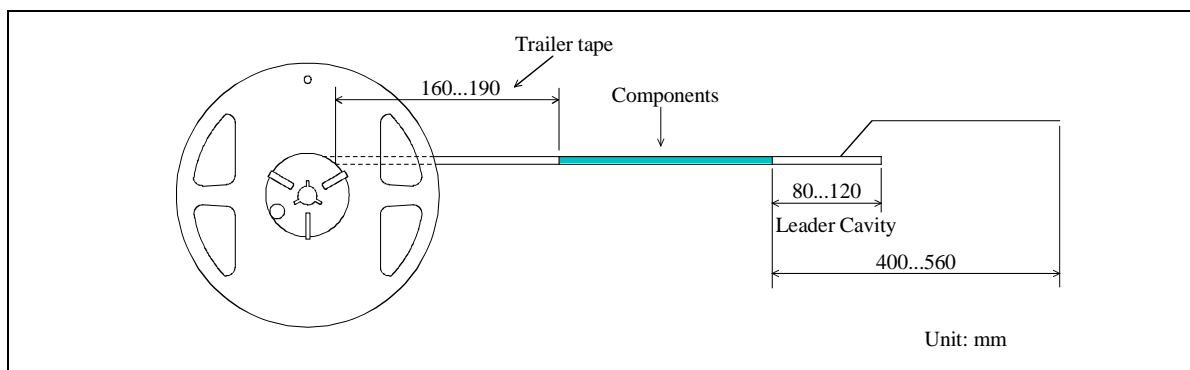
SAW FILTER FOR GSM1800/GSM1900 (Rx)

Murata part number : SAWEN1G84CV0F00

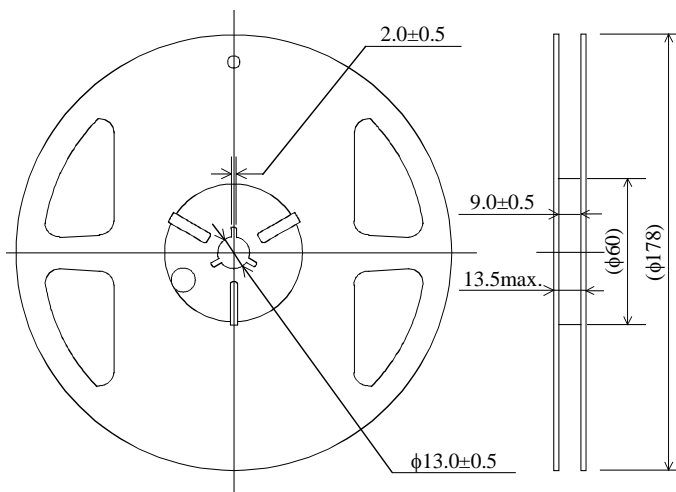
Dimensions of Carrier Tape



Dimensions of Tape



Dimensions of Reel

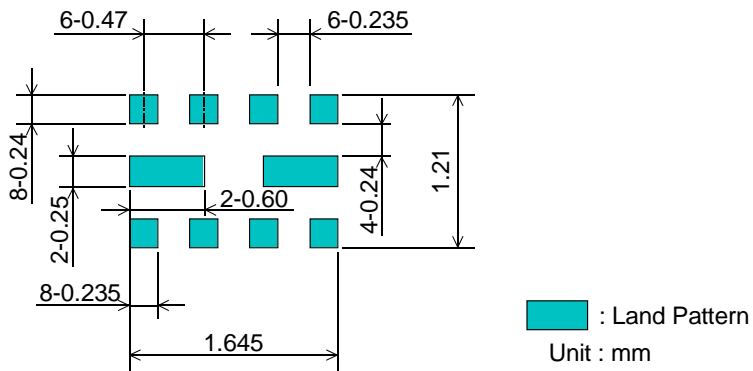


SAWEN1G84CV0F00R14 ... 4000pcs/reel
SAWEN1G84CV0F00R12 ... 2000pcs/reel

SAW FILTER FOR GSM1800/GSM1900 (Rx)

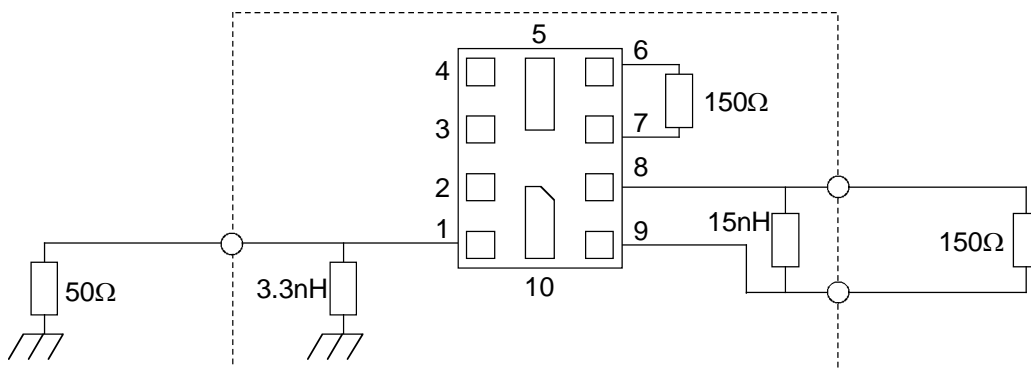
Murata part number : SAWEN1G84CV0F00

Recommended Land Pattern

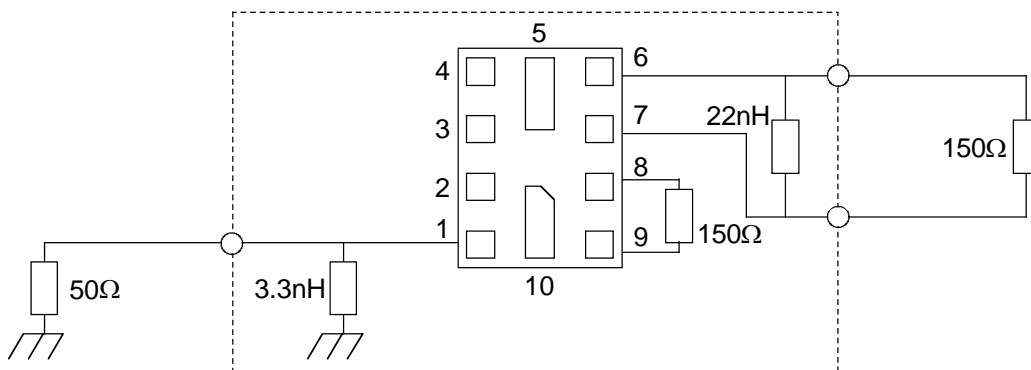


Test Circuit

1842.5MHz



1960MHz



SAW FILTER FOR GSM1800/GSM1900 (Rx)

Murata part number : SAWEN1G84CV0F00

■ RoHS Compliance

This component is compliant with RoHS directive.

This component was always RoHS compliant from the first date of manufacture.

• Caution - Limitation of Applications

This product is allowed to use the following application only.

Please do not use another applications, which require the prevention of defects which might directly cause damage to third party's life, body or property.

- a. Cellular
- b. Cordless phone (except for Automotive use)
- c. Smart phone
- d. Tablet PC
- e. PC (Including Notebook PC, Netbook PC)
- f. Game
- g. Camera (except for Business/security use)
- h. STB
- i. Electronic dictionary
- j. Digital audio equipment

- This PDF Datasheet is downloaded from the website of Murata Manufacturing Co., Ltd. Therefore, it's specifications are subject to change or our products in it may be discontinued without advance notice. Please check with our sales representatives or product engineers before ordering.

- This PDF Datasheet has only typical specifications because there is no space for detailed specifications. Therefore, please approve our product specifications or transact the approval sheet for product specifications before ordering.