

Highly Integrated Current Mode PWM Controller with Latch

FEATURES

- ◆ Latch Plug-off Protection with External Triggering
- ◆ Built-in Soft Start Function
- ◆ Very Low Startup Current
- ◆ Frequency Reduction and Burst Mode Control for Energy Saving
- ◆ Built-in Frequency Shuffling
- ◆ Programmable Switching Frequency
- ◆ Built-in Synchronous Slope Compensation
- ◆ Cycle-by-Cycle Current Limiting
- ◆ All Pins Floating Protection
- ◆ High Voltage CMOS Process with Excellent ESD Protection
- ◆ Current Mode Control
- ◆ Built-in Leading Edge Blanking (LEB)
- ◆ Constant Power Limiting
- ◆ Audio Noise Free Operation
- ◆ VDD OVP & Clamp
- ◆ VDD Under Voltage Lockout (UVLO)

APPLICATIONS

Offline AC/DC Flyback Converter for

- ◆ AC/DC Power Adaptors
- ◆ Open-frame SMPS
- ◆ Print Power, Scanners, and Motor Drivers

GENERAL DESCRIPTION

SF1560 is a high performance, highly integrated current mode PWM controller for medium to large offline flyback converter applications.

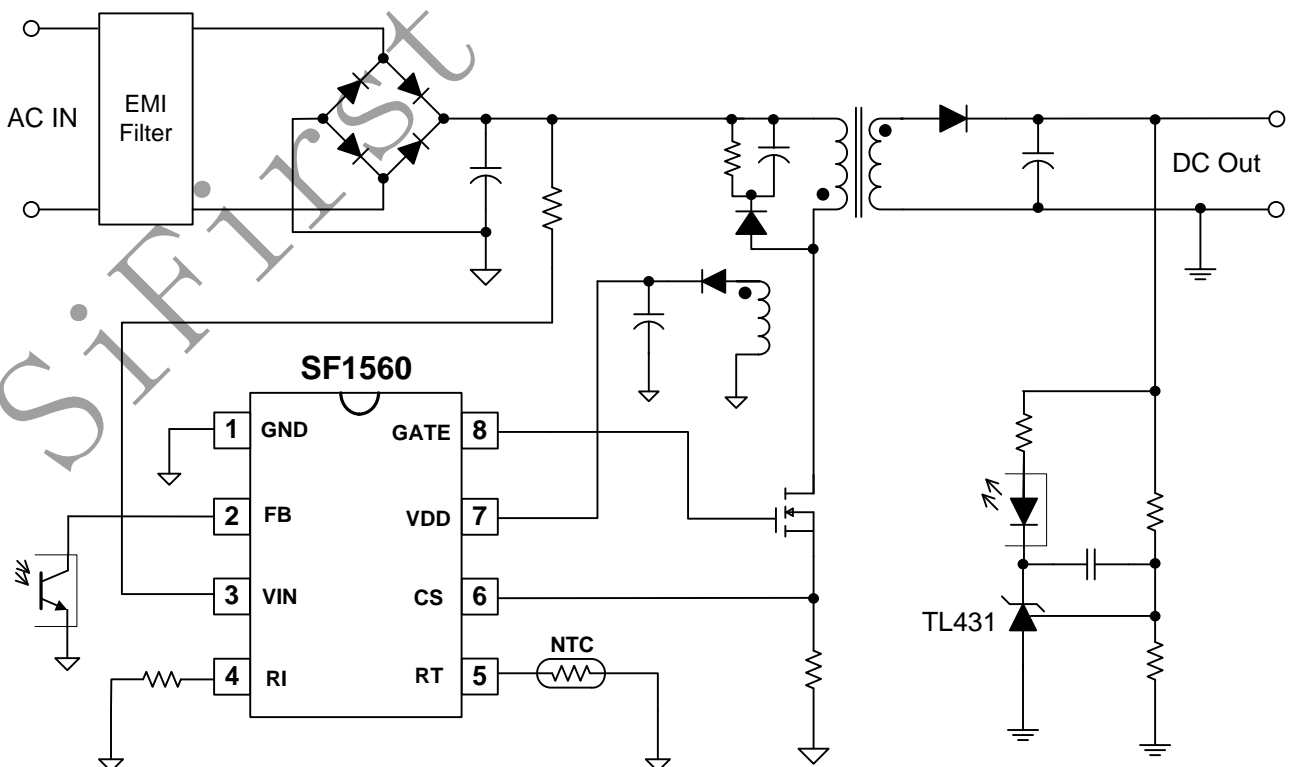
In SF1560, the PWM switching is internally trimmed to tight range. To improve EMI performance, the IC integrates frequency shuffling function to reduce conduction EMI emission of a power supply. The IC also integrates Constant Power Limiting block to achieve constant output power limit from 90VAC to 264VAC.

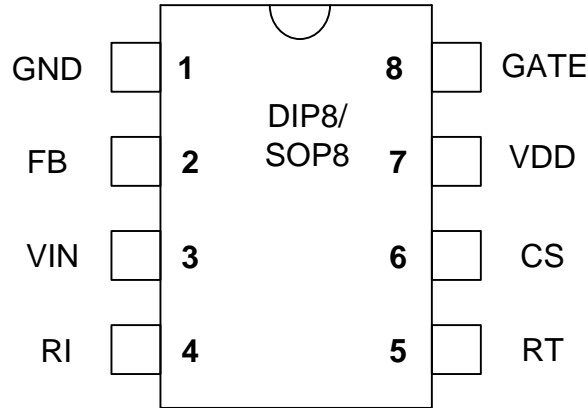
Under light load conditions, a green mode function can continuously decrease the switching frequency. Under zero-load conditions, the power supply enters into burst mode and provides excellent efficiency without audio noise generated. This green mode function enables power supplies to meet international power conservation requirements.

SF1560 integrates functions and protections of Under Voltage Lockout (UVLO), VDD Over Voltage Protection (OVP), Soft Start, External Programmable Over Temperature Protection (OTP), Cycle-by-cycle Current Limiting (OCP), Over Load Protection (OLP), All Pins Floating Protection, RI Pin Short-to-GND Protection, GATE Clamping, VDD Clamping, Leading Edge Blanking (LEB).

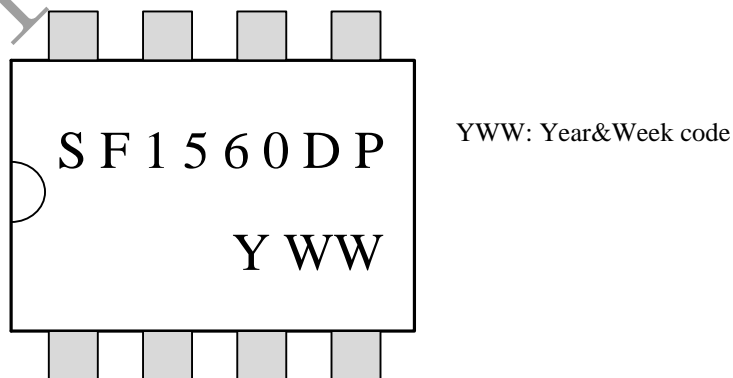
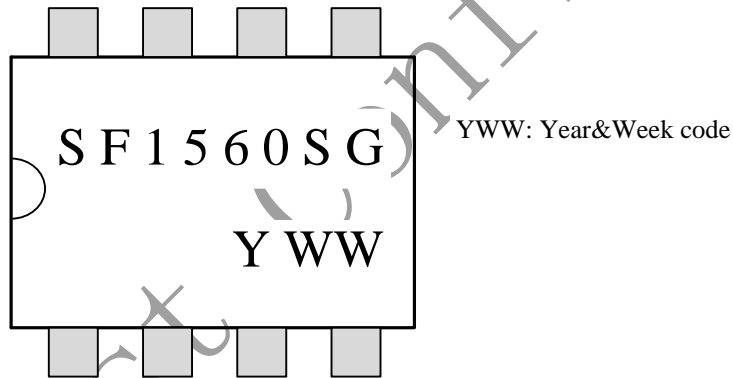
In SF1560, the OTP and VDD OVP is latch plug-off protection. The other protection functions are auto-recovery mode protection.

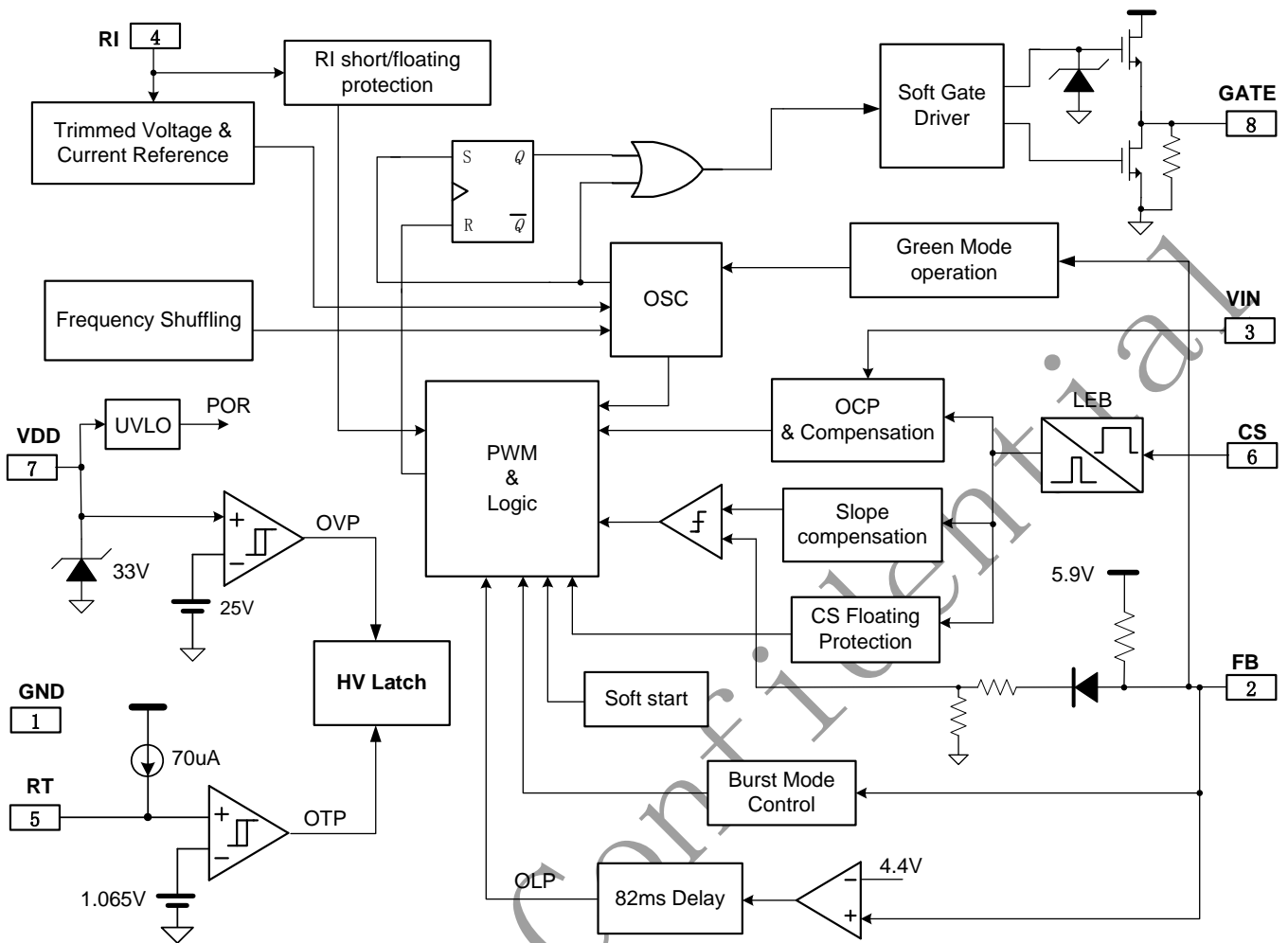
SF1560 is available in SOP-8 and DIP-8 packages.

TYPICAL APPLICATION


Pin Configuration

Ordering Information

Part Number	Top Mark	Package		Tape & Reel
SF1560SG	SF1560SG	SOP8	Green	
SF1560SGT	SF1560SG	SOP8	Green	Yes
SF1560DP	SF1560DP	DIP8	RoHS	

Marking Information


Block Diagram

Pin Description

Pin Num	Pin Name	I/O	Description
1	GND	P	IC ground pin.
2	FB	I	Voltage feedback pin. The loop regulation is achieved by connecting a photo-coupler to this pin. PWM duty cycle is generated by this pin voltage and the current sense signal at Pin 6.
3	VIN	I	This pin is connected to the rectified line input via a large value resistor. The function of the pin is for startup and line voltage sensing.
4	RI	I	Set the switching frequency by connecting a resistor between RI and GND. This pin has floating/short-to-GND protection.
5	RT	I	This pin is for over temperature protection by connecting an external NTC resistor to ground. Once the pin voltage drops below a fixed limit of 1.065V, PWM output will be disabled.
6	CS	I	Current sense input pin.
7	VDD	P	IC power supply pin.
6	GATE	O	Totem-pole gate driver output to drive the external MOSFET.

Absolute Maximum Ratings (Note 1)

Parameter	Value	Unit
VDD/VIN DC Supply Voltage	33	V
VDD DC Clamp Current	10	mA

GATE pin	20	V
FB, RI, RT, CS voltage range	-0.3 to 7	V
Package Thermal Resistance (DIP-8)	90	°C/W
Package Thermal Resistance (SOP-8)	150	°C/W
Maximum Junction Temperature	150	°C
Operating Temperature Range	-40 to 85	°C
Storage Temperature Range	-65 to 150	°C
Lead Temperature (Soldering, 10sec.)	260	°C
ESD Capability, HBM (Human Body Model)	3	kV
ESD Capability, MM (Machine Model)	250	V

Recommended Operation Conditions (Note 2)

Parameter	Value	Unit
Supply Voltage, VDD	11 to 23	V
Operating Frequency	50 to 130	kHz
Operating Ambient Temperature	-40 to 85	°C

ELECTRICAL CHARACTERISTICS

 (T_A = 25°C, RI=24K ohm, VDD=18V, if not otherwise noted)

Symbol	Parameter	Test Conditions	Min	Typ	Max	Unit
Supply Voltage Section (VDD Pin)						
I_Startup	VDD Start up Current	VDD =15V, Measure current into VDD		5	20	uA
I_VDD_Op	Operation Current	V _{FB} =3V, GATE=1nF		2.5	3.5	mA
UVLO(ON)	VDD Under Voltage Lockout Exit (Startup)		15.5	16.5	17.5	V
UVLO(OFF)	VDD Under Voltage Lockout Enter		9.5	10.5	11.5	V
VDD_OVP_ON	VDD Over Voltage Protection trigger		23.5	25	26.5	V
VDD_OVP_Hys	VDD OVP Hysteresis			2		V
V _{DD} _Clamp	VDD Zener Clamp Voltage	I(V _{DD}) = 5mA		33		V
T_Softstart	System Soft Start Time			3		mSec
Feedback Input Section(FB Pin)						
A _{VCS}	PWM Input Gain	$\Delta V_{FB} / \Delta V_{CS}$		2.8		V/V
V _{FB} _Open	FB Open Voltage			5.9		V
I _{FB} _Short	FB short circuit current	Short FB pin to GND, measure current		1.2		mA
V _{FB} _min_duty	FB under voltage gate clock is off.			1.0		V
V _{TH} _PL	Power Limiting FB Threshold Voltage			4.4		V
T _D _PL	Power limiting Debounce Time	Note 3		82		mSec
Z _{FB} _IN	Input Impedance			5		Kohm
Current Sense Input Section (CS Pin)						
T_blanking	SENSE Input Leading Edge Blanking Time			250		nSec
V _{th} _OC_max	Internal current limiting threshold	I(VIN)=0	0.85	0.9	0.95	V
T _D _OC	Over Current Detection and Control Delay	GATE=1nF		120		nSec
Oscillator Section (RI Pin)						
F _{Osc}	Normal Oscillation		60	65	70	KHZ

	Frequency					
$\Delta F(\text{shuffle})/F_{\text{osc}}$	Frequency shuffling range	Note 4	-4		4	%
Δf_{Temp}	Frequency Temperature Stability	-40°C to 125°C (Note 4)		5		%
Δf_{VDD}	Frequency Voltage Stability	VDD = 12-23V (Note 4)		5		%
Duty_max	Maximum Duty cycle		75	80	85	%
RI_range	Operating RI Range		12	24	60	Kohm
V_RI_open	RI open voltage			2.0		V
F_BM	Burst Mode Base Frequency			22		KHz
Over Temperature Protection (RT Pin)						
I_RT	Output Current of RT Pin			70		uA
V _{TH_OTP}	OTP Threshold Voltage		1.015	1.065	1.115	V
V _{TH_OTP_OFF}	OTP Release Voltage			1.165		V
V _{TH_OTP_Hys}	OTP Hysteresis			0.1		V
V_RT_Open	RT Pin Open Voltage			4.6		V
Latch Protection						
V _{Latch_release}	VDD Latch Release Voltage		5.5	6	6.5	V
I _{vdd(latch)}	VDD Current when latch off	VDD= V _{Latch_release} +1V		40		uA
Gate Drive Output (GATE Pin)						
VOL	Output Low Level	I _o = 20 mA (sink)			0.3	V
VOH	Output High Level	I _o = 20 mA (source)	11			V
Gate_Clamp	Output Clamp Voltage Level	VDD=24V		18		V
T _r	Output Rising Time	GATE = 1nF		120		nSec
T _f	Output Falling Time	GATE = 1nF		50		nSec

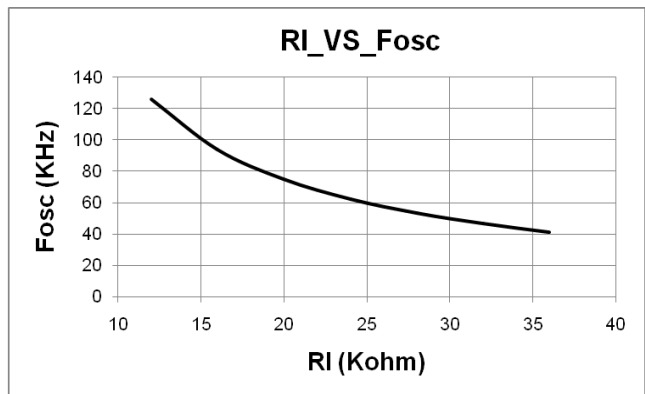
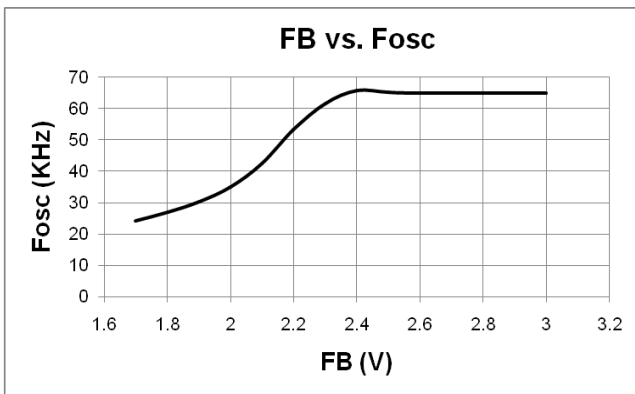
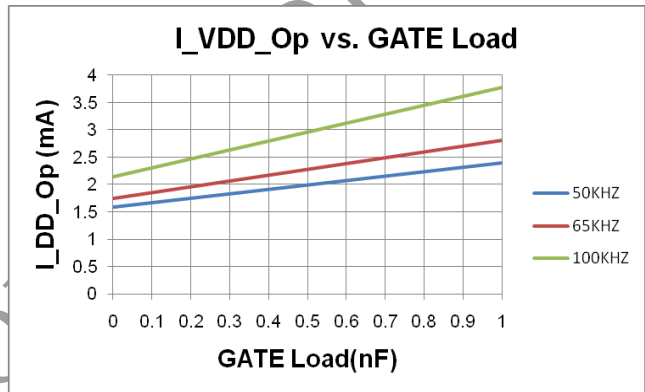
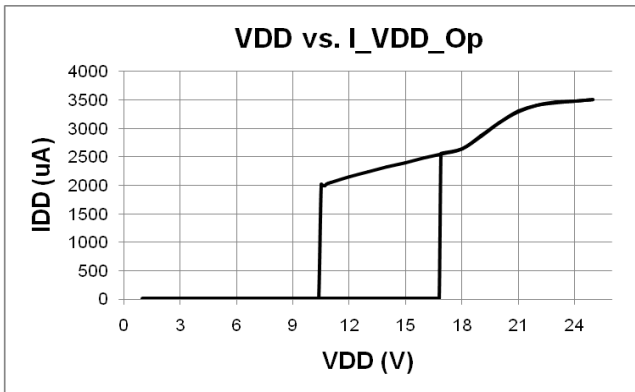
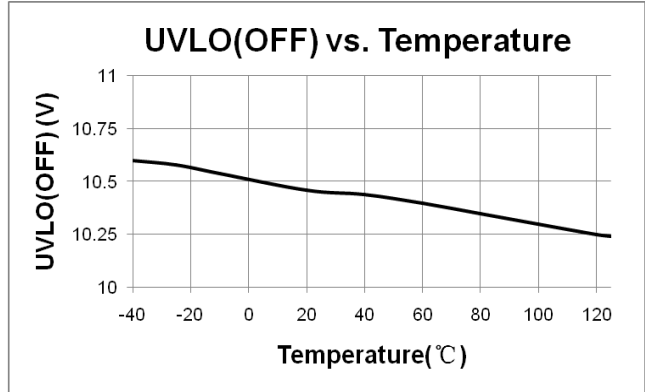
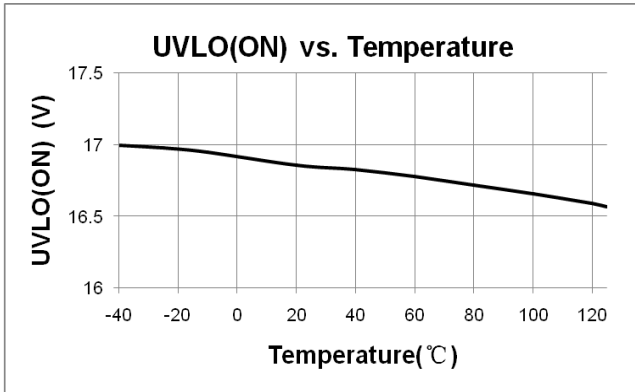
Note 1. Stresses beyond those listed under "Absolute Maximum Ratings" may cause permanent damage to the device. These are stress ratings only, and functional operation of the device at these or any other conditions beyond those indicated in the operational sections of the specifications is not implied. Exposure to absolute maximum rating conditions for extended periods may affect device reliability.

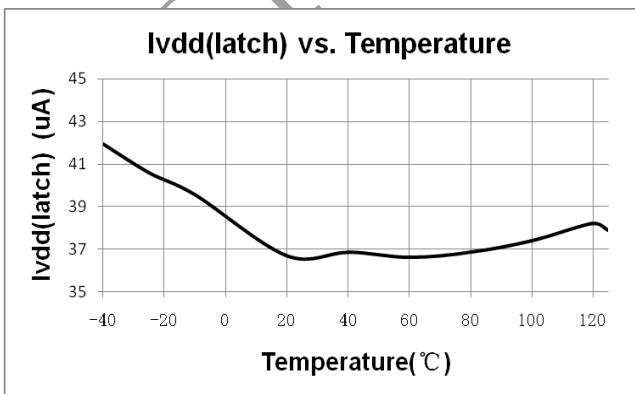
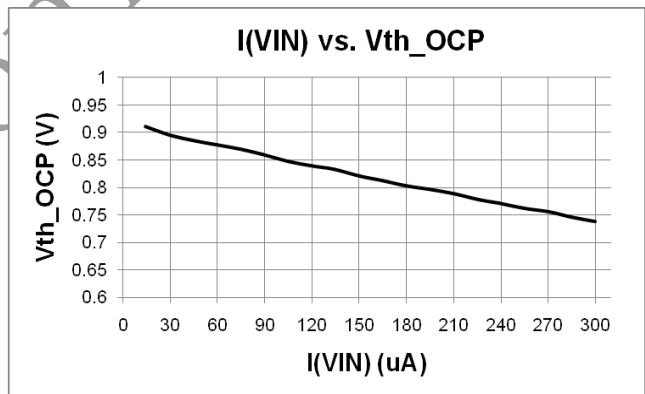
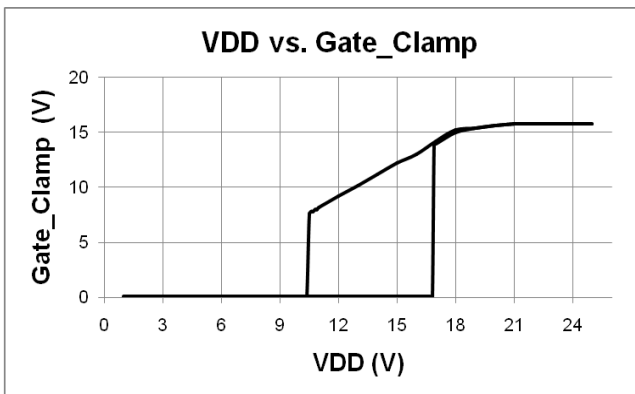
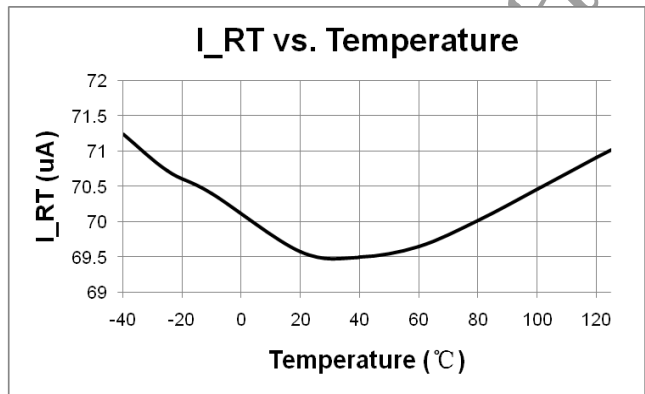
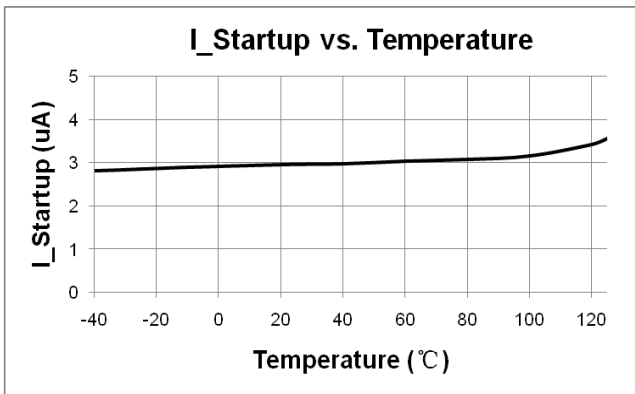
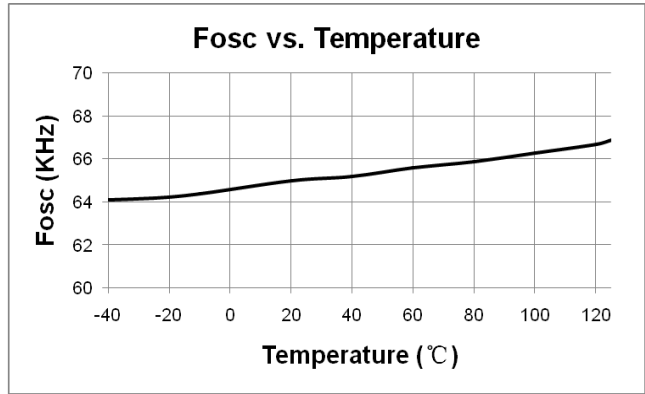
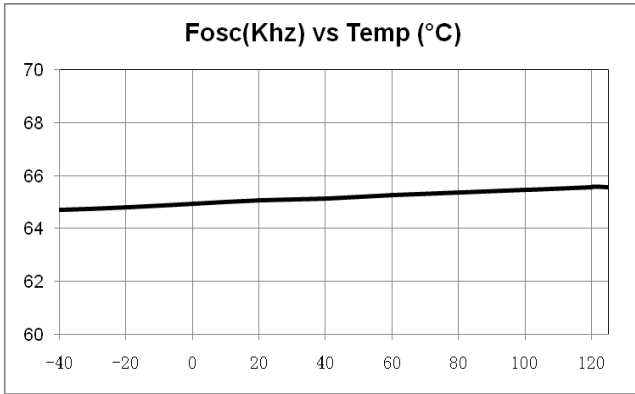
Note 2. The device is not guaranteed to function outside its operating conditions.

Note 3. The OLP debounce time is proportional to the period of switching cycle.

Note 4. Guaranteed by design.

CHARACTERIZATION PLOTS





OPERATION DESCRIPTION

SF1560 is a high performance, highly integrated current mode PWM controller for medium to large offline flyback converter applications. The built-in advanced energy saving with high level protection features improves the SMPS reliability and performance without increasing the system cost.

◆ Low Startup Current & Operating Current

The typical startup current of SF1560 is only about 5uA so that a high resistance startup resistor can be used to minimize power loss. For an AC/DC adapter with universal input range, a 2M Ohm, 1/8W startup resistor can be used to provide a fast startup and yet low power dissipation design solution.

The operating current in SF1560 is as small as 2.3mA (typical). The small operating current results in higher efficiency and reduces the VDD hold-up capacitance requirement.

◆ Soft Start

SF1560 features an internal 3ms (typical) soft start that slowly increases the threshold of cycle-by-cycle current limiting comparator during startup sequence. It helps to prevent transformer saturation and reduce the stress on the secondary diode during startup. Every restart attempt is followed by a soft start activation.

◆ Oscillator with Frequency Shuffling

Connecting a resistor from RI pin to GND according to the equation below to program the normal switching frequency:

$$F_{osc}(\text{KHz}) = \frac{1560}{RI(\text{K}\Omega)}$$

It can typically operate between 50kHz to 130kHz. To improve system EMI performance, SF1560 operates the system with $\pm 4\%$ frequency shuffling around setting frequency.

◆ Leading Edge Blanking (LEB)

Each time the power MOSFET is switched on, a turn-on spike occurs across the sensing resistor. The spike is caused by primary side capacitance and secondary side rectifier reverse recovery. To avoid premature termination of the switching pulse, an internal leading edge blanking circuit is built in. During this blanking period (250ns, typical), the PWM comparator is disabled and cannot switch off the gate driver. Thus, external RC filter with a small time constant is enough for current sensing.

◆ Frequency Reduction for Green Mode Operation

When the loading is light, the IC will automatically reduce the PWM switching frequency to achieve high efficiency. In the whole frequency reduction process, there is no audio noise generated.

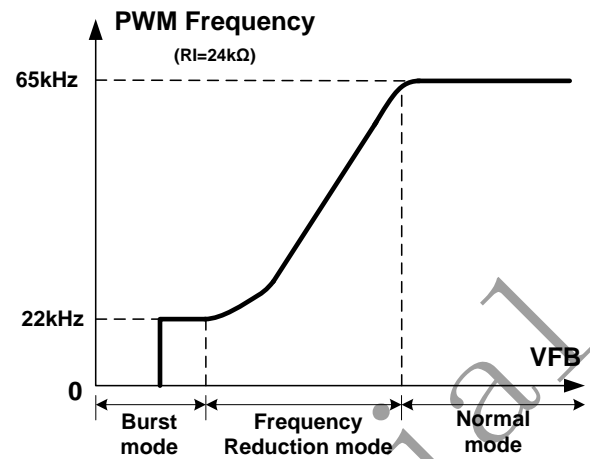


Fig.1

◆ Burst Mode Control

When the loading is very small, the system enters into burst mode. When VFB drops below V_{skip} , SF1560 will stop switching and output voltage starts to drop, which causes the VFB to rise. Once VFB rises above V_{skip} , switching resumes. Burst mode control alternately enables and disables switching, thereby reducing switching loss in standby mode.

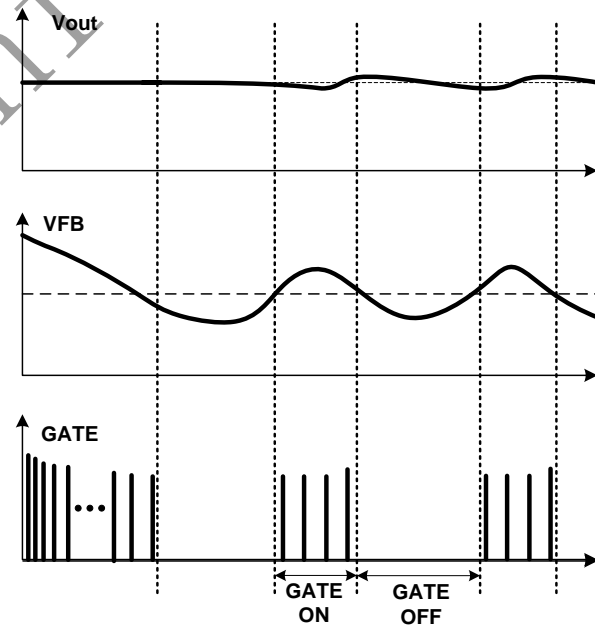


Fig.2

◆ Synchronous Slope Compensation

In the conventional application, the problem of the stability is a critical issue for current mode controlling, when it operates in higher than 50% of the duty-cycle. In SF1560, the slope compensation circuit is integrated by adding voltage ramp onto the current sense input voltage for PWM generation. This greatly improves the close loop stability at CCM and prevents the sub-harmonic oscillation and thus reduces the output ripple voltage.

◆ **Constant Power Limiting**

In flyback converter applications, the GATE drive delay can cause system OPP (Over Power Point) to change according to the AC line input voltage. In SF1560, a OPP compensation block is integrated to achieve constant max. output power capability over universal AC input range. Since the pin VIN is connected to the rectified input line voltage through the startup resistor, the current flowed into the VIN pin indicates the line voltage. Using the information of VIN pin current, the IC adjusts the cycle-by-cycle OCP threshold according to the following equation:

$$V_{TH_OCP}(V) = 0.9 - 0.0278 \times RI \times I(VIN)$$

In this way, the system OPP variation can be compensated automatically.

◆ **Over Temperature Protection with Latch Shutdown**

By connecting a NTC resistor in series with a regular resistor between RT and GND, the over temperature protection (OTP) can be realized. NTC resistor value becomes lower when the ambient temperature rises. With the fixed internal current I_{RT} flowing through the resistors, the voltage at RT pin becomes lower at high temperature. The internal OTP comparator is triggered and shut down the PWM signal when the sensed input voltage is lower than the comparator threshold voltage.

OTP is a **latched shutdown** mode.

◆ **VDD OVP(Over Voltage Protection) with Latch Shutdown**

VDD OVP (Over Voltage Protection) is implemented in SF1560 and it is a protection of **latch shutdown** mode.

◆ **RT Pin Used as Latch Shutdown Input Control**

RT pin can also be used as a control input to implement system latch shutdown function.

By externally forcing a level on pin RT less than 1.065V(typical), SF1560 can be permanently latched off. To resume normal operation, VDD voltage should go below 6V(typical), which implies to unplug the SMPS from the mains.

◆ **Auto Recovery Mode Protection**

As shown in Fig.3, once a fault condition is detected, switching will stop. This will cause VDD to fall because no power is delivered from the auxiliary winding. When VDD falls to UVLO(off) (typical 10.5V), the protection is reset and the operating current reduces to the startup current, which causes VDD to rise, as shown in Fig.3. However, if the fault still exists, the system will experience the above mentioned process. If the fault has gone, the system resumes normal operation. In this manner, the auto restart can

alternatively enable and disable the switching until the fault condition is disappeared.

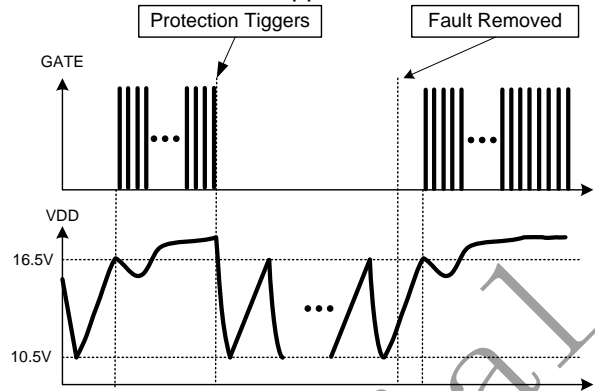


Fig.3

◆ **Over Load Protection (OLP) / Over Current Protection (OCP) / Over Power Protection (OPP) / Open Loop Protection (OLP)**

When OLP/OCP/OPP/Open Loop occurs, a fault is detected. If this fault is present for more than 82ms (typical), the protection will be triggered, the IC will experience an auto-recovery mode protection as mentioned above, as shown in Fig.4. The 82ms delay time is to prevent the false trigger from the power-on and turn-off transient.

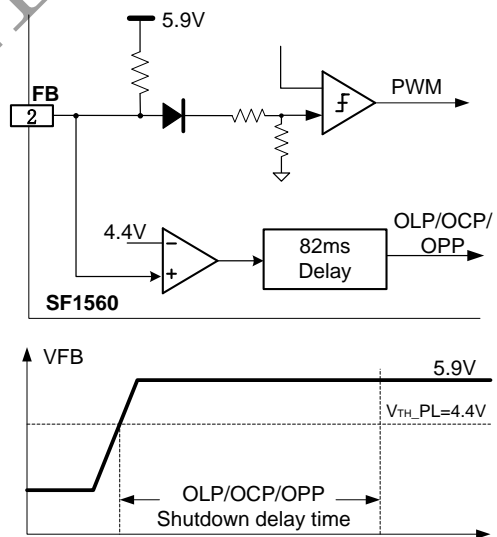


Fig.4

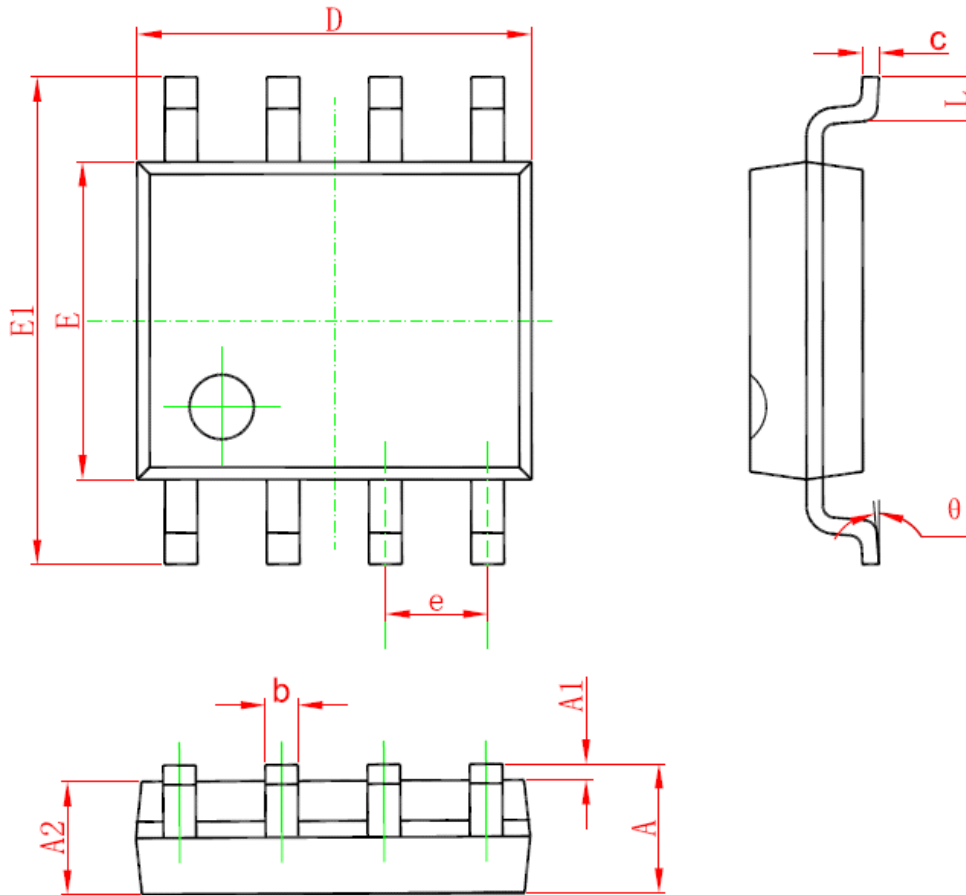
◆ **All Pins Floating Protection and RI Pin Short-to-GND Protection**

In SF1560, if pin floating situation or RI pin short-to-GND occurs, the protection is triggered immediately and the system will experience the process of auto-recovery mode protection.

◆ **Soft Gate Drive**

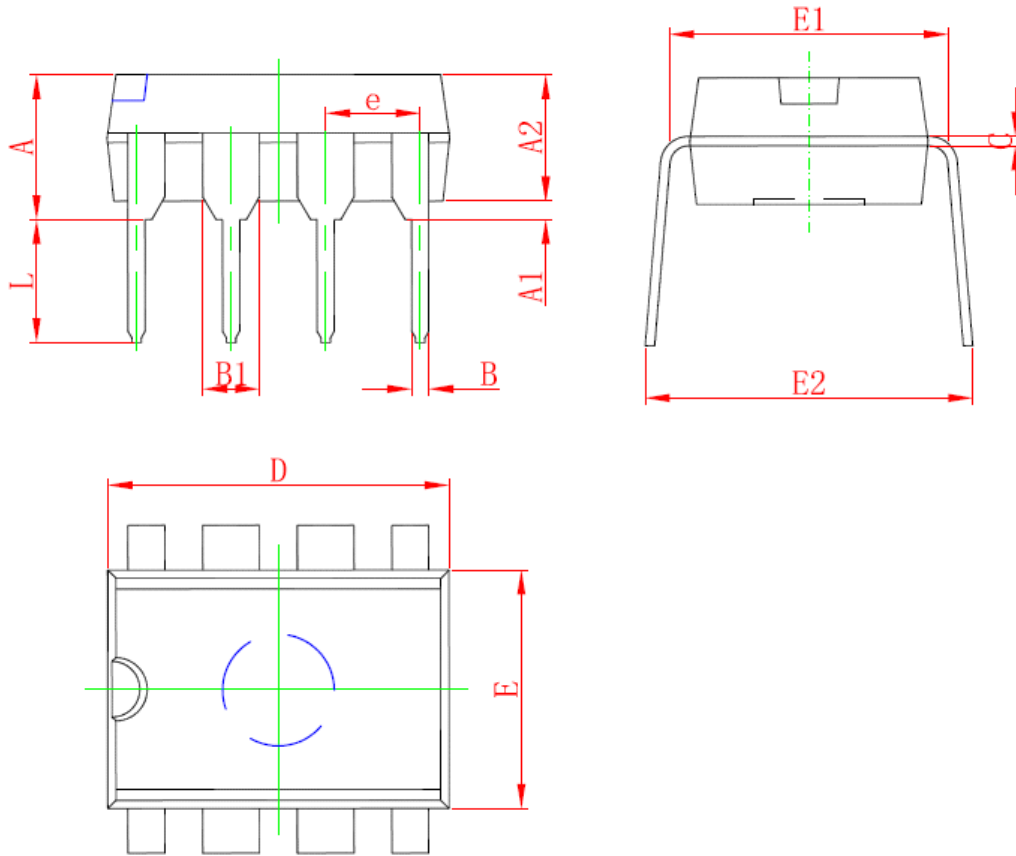
SF1560 has a fast totem-pole gate driver with 800mA capability. Cross conduction has been avoided to minimize heat dissipation, increase efficiency, and enhance reliability. An internal 17.5V clamp is added for MOSFET gate protection at

higher than expected VDD input. A soft driving waveform is implemented to minimize EMI.

PACKAGE MECHANICAL DATA
SOP8 PACKAGE OUTLINE DIMENSIONS


Symbol	Dimensions In Millimeters		Dimensions In Inches	
	Min	Max	Min	Max
A	1.350	1.750	0.053	0.069
A1	0.050	0.250	0.002	0.010
A2	1.250	1.650	0.049	0.065
b	0.310	0.510	0.012	0.020
c	0.170	0.250	0.006	0.010
D	4.700	5.150	0.185	0.203
E	3.800	4.000	0.150	0.157
E1	5.800	6.200	0.228	0.244
e	1.270 (BSC)		0.05 (BSC)	
L	0.400	1.270	0.016	0.050
θ	0°	8°	0°	8°

DIP8 PACKAGE OUTLINE DIMENSIONS



Symbol	Dimensions In Millimeters		Dimensions In Inches	
	Min	Max	Min	Max
A	3.710	4.310	0.146	0.170
A1	0.510		0.020	
A2	3.200	3.600	0.126	0.142
B	0.380	0.570	0.015	0.022
B1	1.524 (BSC)		0.06 (BSC)	
C	0.204	0.360	0.008	0.014
D	9.000	9.400	0.354	0.370
E	6.200	6.600	0.244	0.260
E1	7.320	7.920	0.288	0.312
e	2.540 (BSC)		0.100 (BSC)	
L	3.000	3.600	0.118	0.142
E2	8.400	9.000	0.331	0.354

IMPORTANT NOTICE

SiFirst Technology Nanhai, Ltd (SiFirst) reserves the right to make corrections, modifications, enhancements, improvements and other changes to its products and services at any time and to discontinue any product or service without notice. Customers should obtain the latest relevant information before placing orders and should verify that such information is current and complete.

SiFirst warrants performance of its hardware products to the specifications applicable at the time of sale in accordance with SiFirst's standard warranty. Testing and other quality control techniques are used to the extent SiFirst deems necessary to support this warranty. Except where mandated by government requirements, testing of all parameters of each product is not necessarily performed.

SiFirst assumes no liability for application assistance or customer product design. Customers are responsible for their products and applications using SiFirst's components. To minimize the risks associated with customer products and applications, customers should provide adequate design and operating safeguards.

Reproduction of SiFirst's information in SiFirst's data books or data sheets is permissible only if reproduction is without alteration and is accompanied by all associated warranties, conditions, limitations, and notices. Reproduction of this information with alteration is an unfair and deceptive business practice. SiFirst is not responsible or liable for such altered documentation. Information of third parties may be subject to additional restrictions.

Resale of SiFirst's products or services with statements different from or beyond the parameters stated by SiFirst for that product or service voids all express and any implied warranties for the associated SiFirst's product or service and is an unfair and deceptive business practice. SiFirst is not responsible or liable for any such statements.

SiFirst's products are neither designed nor intended for use in military applications. SiFirst will not be held liable for any damages or claims resulting from the use of its products in military applications.

SiFirst's products are not designed to be used as components in devices intended to support or sustain human life. SiFirst will not be held liable for any damages or claims resulting from the use of its products in medical applications.