

## TCAN1051-Q1 Automotive Fault Protected CAN Transceiver with CAN FD

### 1 Features

- AEC Q100: Qualified for Automotive Applications
  - Device Temperature Grade 1: -40°C to 125°C Ambient Operating Temperature
  - Device HBM Classification Level: ±16 kV
  - Device CDM Classification Level ±1500 V
- Meets the ISO 11898-2:2016 and ISO 11898-5:2007 Physical Layer Standards
- 'Turbo' CAN:
  - All Devices Support Classic CAN and 2 Mbps CAN FD (Flexible Data Rate) and "G" Options Support 5 Mbps
  - Short and Symmetrical Propagation Delay Times and Fast Loop Times for Enhanced Timing Margin
  - Higher Data Rates in Loaded CAN Networks
- I/O Voltage Range Supports 3.3 V and 5 V MCUs
- Ideal Passive Behavior When Unpowered
  - Bus and Logic Terminals are High Impedance (no load)
  - Power Up/Down With Glitch Free Operation On Bus and RXD Output
- Protection Features
  - IEC ESD Protection up to ±15 kV
  - Bus Fault Protection: ±58 V (non-H variants) and ±70 V (H variants)
  - Undervoltage Protection on V<sub>CC</sub> and V<sub>IO</sub> (V variants only) Supply Terminals
  - Driver Dominant Time Out (TXD DTO) - Data rates down to 10 kbps
  - Thermal Shutdown Protection (TSD)
- Receiver Common Mode Input Voltage: ±30 V
- Typical Loop Delay: 110 ns
- Junction Temperatures from -55°C to 150°C
- Available in SOIC(8) Package and Leadless VSON(8) Package (3.0 mm x 3.0 mm) with Improved Automated Optical Inspection (AOI) Capability

### 2 Applications

- Automotive and Transportation
- All devices support highly loaded CAN networks
- Heavy Machinery ISOBUS Applications – ISO 11783

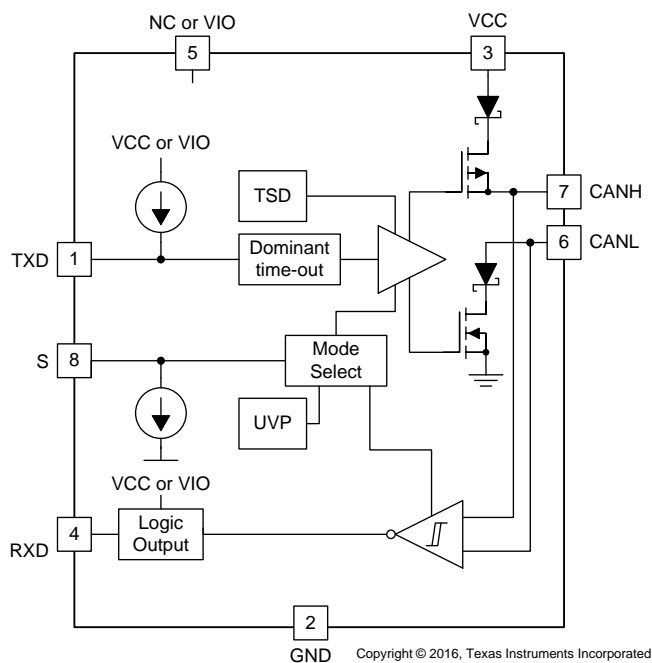
### 3 Description

This CAN transceiver family meets the ISO11898-2 (2016) High Speed CAN (Controller Area Network) physical layer standard. All devices are designed for use in CAN FD networks up to 2 Mbps (megabits per second). Devices with part numbers that include the "G" suffix are designed for data rates up to 5 Mbps, and versions with the "V" have a secondary power supply input for I/O level shifting the input pin thresholds and RXD output level. This family of devices comes with silent mode which is also commonly referred to as listen-only mode. Additionally, all devices include many protection features to enhance device and network robustness.

#### Device Information

| ORDER NUMBER | PACKAGE  | BODY SIZE         |
|--------------|----------|-------------------|
| TCAN1051x-Q1 | SOIC (8) | 4.90 mm x 3.91 mm |
|              | VSON (8) | 3.00 mm x 3.00 mm |

#### Functional Block Diagram



- Terminal 5 function is device dependent; NC on devices without the "V" suffix, and V<sub>IO</sub> for I/O level shifting for devices with the "V" suffix.
- RXD logic output is driven to V<sub>CC</sub> on devices without the "V" suffix, and V<sub>IO</sub> for devices with the "V" suffix.



## Table of Contents

|  |    |  |    |
|--|----|--|----|
| <b>1 Features</b> .....                          | 1  | 9.2 Functional Block Diagram .....                               | 16 |
| <b>2 Applications</b> .....                      | 1  | 9.3 Feature Description .....                                    | 17 |
| <b>3 Description</b> .....                       | 1  | 9.4 Device Functional Modes .....                                | 20 |
| <b>4 Revision History</b> .....                  | 2  | <b>10 Application and Implementation</b> .....                   | 22 |
| <b>5 Device Comparison Table</b> .....           | 4  | 10.1 Application Information .....                               | 22 |
| <b>6 Pin Configurations and Functions</b> .....  | 4  | 10.2 Typical Applications .....                                  | 22 |
| <b>7 Specifications</b> .....                    | 5  | <b>11 Power Supply Requirements</b> .....                        | 26 |
| 7.1 Absolute Maximum Ratings .....               | 5  | <b>12 Layout</b> .....   | 26 |
| 7.2 ESD Ratings .....                            | 5  | 12.1 Layout Guidelines .....                                     | 27 |
| 7.3 Recommended Operating Conditions .....       | 7  | 12.2 Layout Example .....  | 27 |
| 7.4 Thermal Information .....                    | 7  | <b>13 Device and Documentation Support</b> .....                 | 28 |
| 7.5 Power Rating .....                           | 7  | 13.1 Related Links .....   | 28 |
| 7.6 Electrical Characteristics .....             | 8  | 13.2 Receiving Notification of Documentation Updates .....       | 28 |
| 7.7 Switching Characteristics .....              | 11 | 13.3 Community Resources .....                                   | 28 |
| 7.8 Typical Characteristics .....                | 12 | 13.4 Trademarks .....  | 28 |
| <b>8 Parameter Measurement Information</b> ..... | 13 | 13.5 Electrostatic Discharge Caution .....                       | 28 |
| <b>9 Detailed Description</b> .....              | 16 | 13.6 Glossary .....  | 28 |
| 9.1 Overview .....                               | 16 | <b>14 Mechanical, Packaging, and Orderable Information</b> ..... | 28 |

## 4 Revision History

### Changes from Revision B (May 2016) to Revision C

Page

|   |    |
|---|----|
| • Added items to the Automotive Applications <i>Feaure</i> .....  | 1  |
| • Deleted Feature "Meets the December 17th, 2015 Draft of ISO 11898-2 Physical Layer Update" .....  | 1  |
| • Changed <i>Feature</i> From: "Meets the Released ISO 11898-2:2007 and ISO 11898-2:2003 Physical Layer Standards" To: "Meets the ISO 11898-2:2016 and ISO 11898-5:2007 Physical Layer Standards" ..... | 1  |
| • Changed Feature From: "All devices support 2 Mbps CAN FD.." To: "All Devices Support Classic CAN and 2 Mbps CAN FD.." .....   | 1  |
| • Added <i>Feature</i> "Available in SOIC(8) package and leadless VSON(8) package..." .....   | 1  |
| • Changed <i>Applications</i> From: Heavy Machinery ISO11783 To: Heavy Machinery ISOBUS Applications – ISO 11783 .....  | 1  |
| • Changed the <i>Functional Block Diagram</i> , removed the Dominant time-out box .....   | 1  |
| • Changed "D Package for (HV) and (HGV)" To: "DRB Package for (HV) and (HGV)" .....   | 4  |
| • Added Storage temperature range to the <i>Absolute Maximum Ratings</i> table .....  | 5  |
| • Changed the <i>ESD Ratings</i> table to show the D(SOIC) and DRB (VSON) values .....  | 5  |
| • Changed Human Body Model (HBM) From: ±10000 To: ±16000 in the <i>ESD</i> table .....  | 5  |
| • Changed Charged Device Model (CDM) From: ±750 To: ±1500 in the <i>ESD</i> table .....   | 5  |
| • Changed TBD to values for the DRB (VSON) Package in the <i>ESD</i> table .....  | 5  |
| • Added the <i>Power Rating</i> table .....   | 7  |
| • Changed $V_{SYM}$ in the <i>DRIVER ELECTRICAL CHARACTERISTICS</i> table .....   | 9  |
| • Changed $V_{SYM\_DC}$ in the <i>DRIVER ELECTRICAL CHARACTERISTICS</i> table .....   | 9  |
| • Deleted " $V_I = 0.4 \sin(4E6 \pi t) + 2.5 \text{ V}$ " from the Test Condition of $C_I$ in the <i>RECEIVER ELECTRICAL CHARACTERISTICS</i> table .....  | 10 |
| • Deleted " $V_I = 0.4 \sin(4E6 \pi t)$ " from the Test Condition of $C_{ID}$ in the <i>RECEIVER ELECTRICAL CHARACTERISTICS</i> table .....   | 10 |
| • Added " $-30 \text{ V} \leq V_{CM} \leq +30$ " to the Test Condition of $R_{ID}$ and $R_{IN}$ in the <i>RECEIVER ELECTRICAL CHARACTERISTICS</i> table .....   | 10 |
| • Changed the <i>Functional Block Diagram</i> , removed the Dominant time-out box .....   | 16 |
| • Changed <b>Table 3</b> , BUS OUTPUT colum .....   | 18 |

---

**Changes from Revision A (April 2016) to Revision B** **Page**

|   |   |
|---|---|
| • Added <i>Feature</i> "Meets the Released ISO 11898-2:2007 and ISO 11898-2:2003 Physical Layer Standards" .....  | 1 |
| • Changed <i>Feature</i> From: Meets the Requirements of ISO11898-2 (2016) To: Meets the December 17th, 2015 Draft of ISO 11898-2 Physical Layer Update ..... | 1 |
| • Changed the <i>Applications</i> list .....  | 1 |
| • Added the VSON (8) pin package to the <i>Device Information</i> table.....  | 1 |
| • Added the VSON (8) pin package to the <i>Pin Configurations and Functions</i> .....   | 4 |
| • Added $V_{(Diff)}$ to the <i>Absolute Maximum Ratings</i> <sup>(1) (2)</sup> table .....  | 5 |
| • Added the DRB package to the <i>Thermal Information</i> table .....   | 7 |

---

**Changes from Original (March 2016) to Revision A** **Page**

|   |   |
|---|---|
| • Changed the device status From: Product Preview To: Production .....                | 1 |
| • Added the VSON (8) pin package to the <i>Pin Configurations and Functions</i> ..... | 4 |

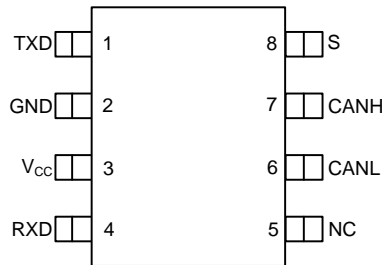
---

## 5 Device Comparison Table

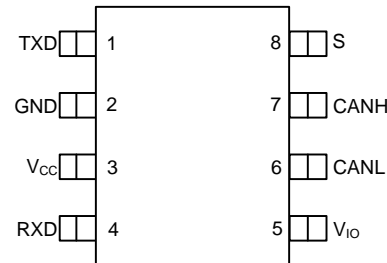
| DEVICE NUMBER      | BUS FAULT PROTECTION | 5-Mbps FLEXIBLE DATA RATE | 3-V LEVEL SHIFTER INTEGRATED | PIN 8 MODE SELECTION |
|--------------------|----------------------|---------------------------|------------------------------|----------------------|
| TCAN1051-Q1 (Base) | ±58 V                |                           |                              | Silent Mode          |
| TCAN1051G-Q1       | ±58 V                | X                         |                              |                      |
| TCAN1051GV-Q1      | ±58 V                | X                         | X                            |                      |
| TCAN1051V-Q1       | ±58 V                |                           | X                            |                      |
| TCAN1051H-Q1       | ±70 V                |                           |                              |                      |
| TCAN1051HG-Q1      | ±70 V                | X                         |                              |                      |
| TCAN1051HGV-Q1     | ±70 V                | X                         | X                            |                      |
| TCAN1051HV-Q1      | ±70 V                |                           | X                            |                      |

## 6 Pin Configurations and Functions

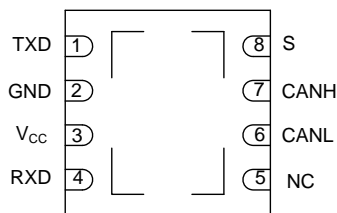
**D Package for Base, (H), (G) and (HG) Devices  
8 PIN (SOIC)  
Top View**



**D Package for Base, (V), (GV), (HV), and (HGV) Devices  
8 PIN (SOIC)  
Top View**

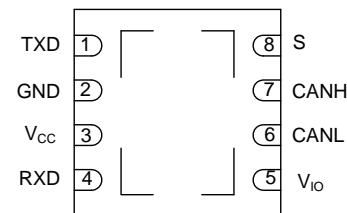


**DRB Package for Base, (H), (G), and (HG) Devices  
8 PIN (VSON)  
Top View**



Product Preview

**DRB Package for Base, (V), (GV), (HV) and (HGV) Devices  
8 PIN (VSON)  
Top View**



Product Preview

### Pin Functions

| NAME            | PINS                 |                        | TYPE           | DESCRIPTION  |
|-----------------|----------------------|------------------------|----------------|--|
|                 | Base, (H), (G), (HG) | (V), (GV), (HV), (HGV) |                |  |
| TXD             | 1                    | 1                      | DIGITAL INPUT  | CAN transmit data input (LOW for dominant and HIGH for recessive bus states) |
| GND             | 2                    | 2                      | GND            | Ground connection  |
| VCC             | 3                    | 3                      | POWER          | Transceiver 5-V supply voltage   |
| RXD             | 4                    | 4                      | DIGITAL OUTPUT | CAN receive data output (LOW for dominant and HIGH for recessive bus states) |
| NC              | 5                    | —                      | —              | No Connect   |
| V <sub>IO</sub> | —                    | 5                      | POWER          | Transceiver I/O level shifting supply voltage (Devices with "V" suffix only) |
| CANL            | 6                    | 6                      | BUS I/O        | Low level CAN bus input/output line  |
| CANH            | 7                    | 7                      | BUS I/O        | High level CAN bus Input/output line   |
| S               | 8                    | 8                      | DIGITAL INPUT  | Silent Mode control input (active high)                                      |

## 7 Specifications

### 7.1 Absolute Maximum Ratings<sup>(1) (2)</sup>

|                             |   |                                | MIN  | MAX   | UNIT |
|-----------------------------|---|--------------------------------|------|---|------|
| V <sub>CC</sub>             | 5-V Bus Supply Voltage Range  | All Devices                    | -0.3 | 7   | V    |
| V <sub>IO</sub>             | I/O Level-Shifting Voltage Range  | Devices with the "V" Suffix    | -0.3 | 7   | V    |
| V <sub>BUS</sub>            | CAN Bus I/O voltage range (CANH, CANL)  | Devices without the "H" Suffix | -58  | 58  | V    |
| V <sub>(Diff)</sub>         | Max differential voltage between CANH and CANL                                | Devices without the "H" suffix | -58  | 58  | V    |
| V <sub>BUS</sub>            | CAN Bus I/O voltage range (CANH, CANL)  | Devices with the "H" Suffix    | -70  | 70  | V    |
| V <sub>(Diff)</sub>         | Max differential voltage between CANH and CANL                                | Devices with the "H" suffix    | -70  | 70  | V    |
| V <sub>(Logic_Input)</sub>  | Logic input terminal voltage range (TXD, S)                                   | All Devices                    | -0.3 | +7 and V <sub>I</sub> ≤ V <sub>IO</sub> + 0.3 | V    |
| V <sub>(Logic_Output)</sub> | Logic output terminal voltage range (RXD)                                     |                                | -0.3 | +7 and V <sub>I</sub> ≤ V <sub>IO</sub> + 0.3 | V    |
| I <sub>O(RXD)</sub>         | RXD (Receiver) output current   |                                | -8   | 8   | mA   |
| T <sub>J</sub>              | Virtual junction temperature range (see <a href="#">Thermal Information</a> ) |                                | -55  | 150   | °C   |
| T <sub>STG</sub>            | Storage temperature range (see <a href="#">Thermal Information</a> )          |                                | -65  | 150   | °C   |

- (1) Stresses beyond those listed under "absolute maximum ratings" may cause permanent damage to the device. These are stress ratings only and functional operation of the device at these or any other conditions beyond those indicated under "recommended operating conditions" is not implied. Exposure to absolute-maximum-rated condition for extended periods may affect device reliability.
- (2) All voltage values, except differential I/O bus voltages, are with respect to ground terminal.

### 7.2 ESD Ratings

|   | TEST CONDITIONS                                      |   | VALUE  | UNIT |
|---|--|---|--------|------|
| <b>D (SOIC) Package</b>   |  |   |        |      |
| Human Body Model (HBM) ESD stress voltage                                   | All terminals <sup>(1)</sup>                         |   | ±6000  | V    |
|   | CAN bus terminals (CANH, CANL) to GND <sup>(2)</sup> |   | ±16000 |      |
| Charged Device Model (CDM) ESD stress voltage                               | All terminals <sup>(3)</sup>                         |   | ±1500  | V    |
| Machine Model   | All terminals <sup>(4)</sup>                         |   | ±200   | V    |
| System Level Electro-Static Discharge (ESD)                                 | CAN bus terminals (CANH, CANL) to GND                | SAE J2962-2 per ISO 10605: Powered Air Discharge  | ±15000 | V    |
|   |  | SAE J2962-2 per ISO 10605: Powered Contact Discharge                                      | ±8000  |      |
| System Level Electro-Static Discharge (ESD)                                 | CAN bus terminals (CANH, CANL) to GND                | IEC 61000-4-2: Unpowered Contact Discharge  | ±15000 | V    |
|   |  | IEC 61000-4-2: Powered Contact Discharge  | ±8000  |      |
| System Level Electrical fast transient (EFT)                                | CAN bus terminals (CANH, CANL) to GND                | IEC 61000-4-4: Criteria A   | ±4000  | V    |
| ISO7637 Transients according to GIFT - ICT CAN EMC test spec <sup>(5)</sup> | CAN bus terminals (CANH, CANL) to GND                | Pulse 1   | -100   | V    |
|   |  | Pulse 2   | +75    |      |
|   |  | Pulse 3a  | -150   |      |
|   |  | Pulse 3b  | +100   |      |
| ISO7637-3 Transients  | CAN bus terminals (CANH, CANL) to GND                | Direct Coupling Capacitor "Slow Transient Pulse" with 100 nF coupling capacitor - Powered | ±85    | V    |
| <b>DRB (VSON) Package</b>   |  |   |        |      |
| Human Body Model (HBM) ESD stress voltage                                   | All terminals <sup>(1)</sup>                         |   | ±6000  | V    |
|   | CAN bus terminals (CANH, CANL) to GND <sup>(2)</sup> |   | ±16000 |      |
| Charged Device Model (CDM) ESD stress voltage                               | All terminals <sup>(3)</sup>                         |   | ±1500  | V    |

- (1) Tested in accordance to JEDEC Standard 22, Test Method A114.
- (2) Test method based upon JEDEC Standard 22 Test Method A114, CAN bus is stressed with respect to GND.
- (3) Tested in accordance to JEDEC Standard 22, Test Method C101.
- (4) Tested in accordance to JEDEC Standard 22, Test Method A115.
- (5) ISO7637 is a system level transient test. Results given here are specific to the GIFT-ICT CAN EMC Test specification conditions. Different system level configurations may lead to different results.

## ESD Ratings (continued)

|   | TEST CONDITIONS                       |   | VALUE  | UNIT |
|---|---------------------------------------|---|--------|------|
| Machine Model   | All terminals <sup>(4)</sup>          |   | ±200   | V    |
| System Level Electro-Static Discharge (ESD)                                 | CAN bus terminals (CANH, CANL) to GND | SAE J2962-2 per ISO 10605: Powered Air Discharge  | ±15000 | V    |
|   |                                       | SAE J2962-2 per ISO 10605: Powered Contact Discharge                                      | ±8000  |      |
| System Level Electro-Static Discharge (ESD)                                 | CAN bus terminals (CANH, CANL) to GND | IEC 61000-4-2: Unpowered Contact Discharge  | ±14000 | V    |
|   |                                       | IEC 61000-4-2: Powered Contact Discharge  | ±8000  |      |
| System Level Electrical fast transient (EFT)                                | CAN bus terminals (CANH, CANL) to GND | IEC 61000-4 Criteria A  | ±4000  | V    |
| ISO7637 Transients according to GIFT - ICT CAN EMC test spec <sup>(5)</sup> | CAN bus terminals (CANH, CANL) to GND | Pulse 1   | -100   | V    |
|   |                                       | Pulse 2   | +75    |      |
|   |                                       | Pulse 3a  | -150   |      |
|   |                                       | Pulse 3b  | +100   |      |
| ISO7637-3 Transients  | CAN bus terminals (CANH, CANL) to GND | Direct Coupling Capacitor "Slow Transient Pulse" with 100 nF coupling capacitor - Powered | ±85    | V    |

### 7.3 Recommended Operating Conditions

|                      |  | MIN | MAX | UNIT |
|----------------------|--|-----|-----|------|
| V <sub>CC</sub>      | 5-V Bus Supply Voltage Range           | 4.5 | 5.5 | V    |
| V <sub>IO</sub>      | I/O Level-Shifting Voltage Range       | 2.8 | 5.5 |      |
| I <sub>OH(RXD)</sub> | RXD terminal HIGH level output current | -2  |     | mA   |
| I <sub>OL(RXD)</sub> | RXD terminal LOW level output current  |     | 2   |      |

### 7.4 Thermal Information

| THERMAL METRIC <sup>(1)</sup> |   | TEST CONDITIONS                          | TCAN1051-Q1 |            | UNIT |
|-------------------------------|---|--|-------------|------------|------|
|                               |   |  | D (SOIC)    | DRB (VSON) |      |
|                               |   |  | 8 Pins      | 8 Pins     |      |
| R <sub>nJA</sub>              | Junction-to-air thermal resistance                          | High-K thermal resistance <sup>(2)</sup> | 105.8       | 40.2       | °C/W |
| R <sub>nJB</sub>              | Junction-to-board thermal resistance <sup>(3)</sup>         |  | 46.8        | 49.7       | °C/W |
| R <sub>nJC(TOP)</sub>         | Junction-to-case (top) thermal resistance <sup>(4)</sup>    |  | 48.3        | 15.7       | °C/W |
| Ψ <sub>JT</sub>               | Junction-to-top characterization parameter <sup>(5)</sup>   |  | 8.7         | 0.6        | °C/W |
| Ψ <sub>JB</sub>               | Junction-to-board characterization parameter <sup>(6)</sup> |  | 46.2        | 15.9       | °C/W |
| T <sub>TSD</sub>              | Thermal shutdown temperature                                |  | 170         | 170        | °C   |
| T <sub>TSD_HYS</sub>          | Thermal shutdown hysteresis                                 |  | 5           | 5          | °C   |

- (1) For more information about traditional and new thermal metrics, see the [Semiconductor and IC Package Thermal Metrics](#) application report.
- (2) The junction-to-ambient thermal resistance under natural convection is obtained in a simulation on a JEDEC-standard, High-K board, as specified in JESD51-7, in an environment described in JESD51-2a.
- (3) The junction-to-board thermal resistance is obtained by simulating in an environment with a ring cold plate fixture to control the PCB temperature, as described in JESD51-8.
- (4) The junction-to-case (top) thermal resistance is obtained by simulating a cold plate test on the package top. No specific JEDEC-standard test exists, but a close description can be found in the ANSI SEMI standard G30-88.
- (5) The junction-to-top characterization parameter, Ψ<sub>JT</sub>, estimates the junction temperature of a device in a real system and is extracted from the simulation data for obtaining θ<sub>JA</sub>, using a procedure described in JESD51-2a (sections 6 and 7).
- (6) The junction-to-board characterization parameter, Ψ<sub>JB</sub> estimates the junction temperature of a device in a real system and is extracted from the simulation data for obtaining θ<sub>JA</sub>, using a procedure described in JESD51-2a (sections 6 and 7).

### 7.5 Power Rating

| PARAMETER      |                           | TEST CONDITIONS  | POWER DISSIPATION | UNIT |
|----------------|---------------------------|--|-------------------|------|
| P <sub>D</sub> | Average power dissipation | V <sub>CC</sub> = 5 V, V <sub>IO</sub> = 5 V (if applicable), T <sub>J</sub> = 27°C, R <sub>L</sub> = 60 Ω, S at 0 V, Input to TXD at 250 kHz, C <sub>L,RXD</sub> = 15 pF. Typical CAN operating conditions at 500 kbps with 25% transmission (dominant) rate.                                 | 52                | mW   |
|                |                           | V <sub>CC</sub> = 5.5 V, V <sub>IO</sub> = 5.5 V (if applicable), T <sub>J</sub> = 150°C, R <sub>L</sub> = 50 Ω, S at 0 V, Input to TXD at 500 kHz, C <sub>L,RXD</sub> = 15 pF. Typical high load CAN operating conditions at 1 Mbps with 50% transmission (dominant) rate and loaded network. | 124               | mW   |

## 7.6 Electrical Characteristics

Over recommended operating conditions,  $T_A = -55^\circ\text{C}$  to  $125^\circ\text{C}$  (unless otherwise noted).

| PARAMETER                                     |   | TEST CONDITIONS   | MIN   | TYP <sup>(1)</sup>  | MAX  | UNIT          |      |
|---|---|---|---|---------------------|------|---------------|------|
| <b>SUPPLY CHARACTERISTICS</b>                 |   |   |   |                     |      |               |      |
| $I_{CC}$                                      | 5-V Supply current  | Normal mode (dominant)  | See Figure 5, TXD = 0 V, $R_L = 60\ \Omega$ , $C_L =$ open, $R_{CM} =$ open, $S = 0V$           | 40                  | 70   | mA            |      |
|   |   |   | See Figure 5, TXD = 0 V, $R_L = 50\ \Omega$ , $C_L =$ open, $R_{CM} =$ open, $S = 0V$           | 45                  | 80   |               |      |
|   |   | Normal mode (dominant – bus fault)                                  | See Figure 5, TXD = 0 V, $S = 0V$ , CANH = -12V, $R_L =$ open, $C_L =$ open, $R_{CM} =$ open    |                     | 180  |               |      |
|   |   | Normal mode (recessive)   | See Figure 5, TXD = $V_{CC}$ , $R_L = 50\ \Omega$ , $C_L =$ open, $R_{CM} =$ open, $S = 0V$     | 1.5                 | 2.5  |               |      |
|   |   | Silent mode   | See Figure 5, TXD = $V_{CC}$ , $R_L = 50\ \Omega$ , $C_L =$ open, $R_{CM} =$ open, $S = V_{CC}$ | 1.5                 | 2.5  |               |      |
| $I_{IO}$                                      | I/O supply current  | Normal and Silent modes   | RXD Floating, TXD = $S = 0$ or 5.5 V  | 90                  | 300  | $\mu\text{A}$ |      |
| $UV_{VCC}$                                    | Rising undervoltage detection on $V_{CC}$ for protected mode  |   | All devices   | 4.2                 | 4.4  | V             |      |
|   | Falling undervoltage detection on $V_{CC}$ for protected mode |   |   | 3.8                 | 4.0  |               | 4.25 |
| $V_{HYS(UV_{VCC})}$                           | Hysteresis voltage on $UV_{VCC}$                              |   |   |                     | 200  |               | mV   |
| $UV_{VIO}$                                    | Undervoltage detection on $V_{IO}$ for protected mode         |   | Devices with the "V" Suffix (I/O level-shifting)  | 1.3                 | 2.75 | V             |      |
| $V_{HYS(UV_{VIO})}$                           | Hysteresis voltage on $UV_{VIO}$ for protected mode           |   |   |                     | 80   |               | mV   |
| <b>S TERMINAL (MODE SELECT INPUT)</b>         |   |   |   |                     |      |               |      |
| $V_{IH}$                                      | High-level input voltage                                      | Devices with the "V" suffix (I/O level-shifting)                    |   | $0.7 \times V_{IO}$ |      | V             |      |
|   |   | Devices without the "V" suffix (5-V only)                           |   | 2                   |      |               |      |
| $V_{IL}$                                      | Low-level input voltage                                       | Devices with the "V" suffix (I/O level-shifting)                    |   | $0.3 \times V_{IO}$ |      |               |      |
|   |   | Devices without the "V" suffix (5-V only)                           |   | 0.8                 |      |               |      |
| $I_{IH}$                                      | High-level input leakage current                              | $S = V_{CC}$ or $V_{IO} = 5.5\ \text{V}$                            |   |                     | 30   | $\mu\text{A}$ |      |
| $I_{IL}$                                      | Low-level input leakage current                               | $S = 0\ \text{V}$ , $V_{CC} = V_{IO} = 5.5\ \text{V}$               |   | -2                  | 0    |               | 2    |
| $I_{IKG(OFF)}$                                | Unpowered leakage current                                     | $S = 5.5\ \text{V}$ , $V_{CC} = V_{IO} = 0\ \text{V}$               |   | -1                  |      |               | 1    |
| <b>TXD TERMINAL (CAN TRANSMIT DATA INPUT)</b> |   |   |   |                     |      |               |      |
| $V_{IH}$                                      | High-level input voltage                                      | Devices with the "V" suffix (I/O level-shifting)                    |   | $0.7 \times V_{IO}$ |      | V             |      |
|   |   | Devices without the "V" suffix (5-V only)                           |   | 2                   |      |               |      |
| $V_{IL}$                                      | Low-level input voltage                                       | Devices with the "V" suffix (I/O level-shifting)                    |   | $0.3 \times V_{IO}$ |      |               |      |
|   |   | Devices without the "V" suffix (5-V only)                           |   | 0.8                 |      |               |      |
| $I_{IH}$                                      | High-level input leakage current                              | TXD = $V_{CC} = V_{IO} = 5.5\ \text{V}$                             |   | -2.5                | 0    | 1             |      |
| $I_{IL}$                                      | Low-level input leakage current                               | TXD = 0 V, $V_{CC} = V_{IO} = 5.5\ \text{V}$                        |   | -100                | -25  | -7            |      |
| $I_{IKG(OFF)}$                                | Unpowered leakage current                                     | TXD = 5.5 V, $V_{CC} = V_{IO} = 0\ \text{V}$                        |   | -1                  | 0    | 1             |      |
| $C_I$   | Input capacitance   | $V_{IN} = 0.4 \times \sin(4E6 \times \pi \times t) + 2.5\ \text{V}$ |   |                     | 5    | pF            |      |

(1) All typical values are at  $25^\circ\text{C}$  and supply voltages of  $V_{CC} = 5\ \text{V}$  and  $V_{IO} = 5\ \text{V}$ ,  $R_L = 60\ \Omega$ .



## Electrical Characteristics (continued)

Over recommended operating conditions,  $T_A = -55^\circ\text{C}$  to  $125^\circ\text{C}$  (unless otherwise noted).

| PARAMETER                                     |   | TEST CONDITIONS  | MIN  | TYP <sup>(1)</sup> | MAX  | UNIT                |    |
|---|---|--|--|--------------------|------|---------------------|----|
| <b>RXD TERMINAL (CAN RECEIVE DATA OUTPUT)</b> |   |  |  |                    |      |                     |    |
| $V_{OH}$                                      | High-level output voltage   | Devices with the "V" suffix (I/O level-shifting), See <a href="#">Figure 6</a> , $I_O = -2$ mA   | $0.8 \times V_{IO}$  |                    | 4    | 4.6                 | V  |
|   |   | Devices without the "V" suffix (5-V only), See <a href="#">Figure 6</a> , $I_O = -2$ mA  |  |                    |      |                     |    |
| $V_{OL}$                                      | Low-level output voltage  | Devices with the "V" suffix (I/O level-shifting), See <a href="#">Figure 6</a> , $I_O = +2$ mA   | $0.2 \times V_{IO}$  |                    | 0.2  | 0.4                 |    |
|   |   | Devices without the "V" suffix (5-V only), See <a href="#">Figure 6</a> , $I_O = +2$ mA  |  |                    |      |                     |    |
| $I_{lkg(OFF)}$                                | Unpowered leakage current   | RXD = 5.5 V, $V_{CC} = 0$ V, $V_{IO} = 0$ V  | -1   | 0                  | 1    | $\mu\text{A}$       |    |
| <b>DRIVER ELECTRICAL CHARACTERISTICS</b>      |   |  |  |                    |      |                     |    |
| $V_{O(DOM)}$                                  | Bus output voltage (dominant)   | CANH   | See <a href="#">Figure 13</a> and <a href="#">Figure 5</a> , TXD = 0 V, S = 0 V, $50 \Omega \leq R_L \leq 65 \Omega$ , $C_L = \text{open}$ , $R_{CM} = \text{open}$                          |                    | 2.75 | 4.5                 | V  |
|   |   | CANL   |  |                    | 0.5  | 2.25                |    |
| $V_{O(REC)}$                                  | Bus output voltage (recessive)  | CANH and CANL  | See <a href="#">Figure 13</a> and <a href="#">Figure 5</a> , TXD = $V_{CC}$ , $V_{IO} = V_{CC}$ , S = $V_{CC}$ or 0 V <sup>(2)</sup> , $R_L = \text{open}$ (no load), $R_{CM} = \text{open}$ |                    | 2    | $0.5 \times V_{CC}$ | 3  |
| $V_{OD(DOM)}$                                 | Differential output voltage (dominant)  | CANH - CANL  | See <a href="#">Figure 13</a> and <a href="#">Figure 5</a> , TXD = 0 V, S = 0 V, $45 \Omega \leq R_L < 50 \Omega$ , $C_L = \text{open}$ , $R_{CM} = \text{open}$                             |                    | 1.4  | 3                   | V  |
|   |   |  | See <a href="#">Figure 13</a> and <a href="#">Figure 5</a> , TXD = 0 V, S = 0 V, $50 \Omega \leq R_L \leq 65 \Omega$ , $C_L = \text{open}$ , $R_{CM} = \text{open}$                          |                    | 1.5  | 3                   |    |
|   |   |  | See <a href="#">Figure 13</a> and <a href="#">Figure 5</a> , TXD = 0 V, S = 0 V, $R_L = 2240 \Omega$ , $C_L = \text{open}$ , $R_{CM} = \text{open}$  |                    | 1.5  | 5                   |    |
| $V_{OD(REC)}$                                 | Differential output voltage (recessive)   | CANH - CANL  | See <a href="#">Figure 13</a> and <a href="#">Figure 5</a> , TXD = $V_{CC}$ , S = 0 V, $R_L = 60 \Omega$ , $C_L = \text{open}$ , $R_{CM} = \text{open}$                                      |                    | -120 | 12                  | mV |
|   |   |  | See <a href="#">Figure 13</a> and <a href="#">Figure 5</a> , TXD = $V_{CC}$ , S = 0 V, $R_L = \text{open}$ (no load), $C_L = \text{open}$ , $R_{CM} = \text{open}$                           |                    | -50  | 50                  |    |
| $V_{SYM}$                                     | Transient symmetry (dominant or recessive) ( $V_{O(CANH)} + V_{O(CANL)} / V_{CC}$ ) | See <a href="#">Figure 5</a> and <a href="#">Figure 15</a> , S at 0 V, $R_{term} = 60 \Omega$ , $C_{split} = 4.7$ nF, $C_L = \text{open}$ , $R_{CM} = \text{open}$ , $T_{XD} = 250$ kHz, 1 MHz |  | 0.9                | 1.1  | V/V                 |    |
| $V_{SYM\_DC}$                                 | DC Output symmetry (dominant or recessive) ( $V_{CC} - V_{O(CANH)} - V_{O(CANL)}$ ) | See <a href="#">Figure 5</a> and , S = 0 V, $R_L = 60 \Omega$ , $C_L = \text{open}$ , $R_{CM} = \text{open}$   |  | -0.4               | 0.4  | V                   |    |
| $I_{OS(SS\_DOM)}$                             | Short-circuit steady-state output current, dominant                                 | See <a href="#">Figure 13</a> and <a href="#">Figure 11</a> , <a href="#">Figure 11</a> , S at 0 V, $V_{CANH} = -5$ V to 40 V, CANH = open, TXD = 0 V  |  | -100               |      | 100                 | mA |
|   |   | See <a href="#">Figure 13</a> and <a href="#">Figure 11</a> , S at 0 V, $V_{CANL} = -5$ V to 40 V, CANH = open, TXD = 0 V  |  |                    |      |                     |    |
| $I_{OS(SS\_REC)}$                             | Short-circuit steady-state output current, recessive                                | See <a href="#">Figure 13</a> and <a href="#">Figure 11</a> , $-27$ V $\leq V_{BUS} \leq 32$ V, Where $V_{BUS} = \text{CANH} = \text{CANL}$ , TXD = $V_{CC}$ , all modes                       |  | -5                 | 5    | mA                  |    |

- (2) For the bus output voltage (recessive) will be the same if the device is in Normal mode with S terminal LOW or if the device is in Silent mode with the S terminal is HIGH.

## Electrical Characteristics (continued)

Over recommended operating conditions,  $T_A = -55^\circ\text{C}$  to  $125^\circ\text{C}$  (unless otherwise noted).

| PARAMETER                                  |  | TEST CONDITIONS   | MIN | TYP <sup>(1)</sup> | MAX  | UNIT          |
|--|--|---|-----|--------------------|------|---------------|
| <b>RECEIVER ELECTRICAL CHARACTERISTICS</b> |  |   |     |                    |      |               |
| $V_{CM}$                                   | Common mode range, normal mode   | See Figure 6, Table 6 and Table 1, $S = 0$ or $V_{CC}$ or $V_{IO}$  | -30 |                    | +30  | V             |
| $V_{IT+}$                                  | Positive-going input threshold voltage, all modes                              | See Figure 6, Table 6 and Table 1, $S = 0$ or $V_{CC}$ or $V_{IO}$ , $-20\text{ V} \leq V_{CM} \leq +20\text{ V}$ |     |                    | 900  | mV            |
| $V_{IT-}$                                  | Negative-going input threshold voltage, all modes                              |   | 500 |                    |      |               |
| $V_{IT+}$                                  | Positive-going input threshold voltage, all modes                              | See Figure 6, Table 6 and Table 1, $S = 0$ or $V_{CC}$ or $V_{IO}$ , $-30\text{ V} \leq V_{CM} \leq +30\text{ V}$ |     |                    | 1000 |               |
| $V_{IT-}$                                  | Negative-going input threshold voltage, all modes                              |   | 400 |                    |      |               |
| $V_{HYS}$                                  | Hysteresis voltage ( $V_{IT+} - V_{IT-}$ )                                     | See Figure 6, Table 6 and Table 1, $S = 0$ or $V_{CC}$ or $V_{IO}$  |     | 120                |      | mV            |
| $I_{lkg(OFF)}$                             | Power-off (unpowered) bus input leakage current                                | $CANH = CANL = 5\text{ V}$ , $V_{CC} = V_{IO} = 0\text{ V}$   |     |                    | 4.8  | $\mu\text{A}$ |
| $C_I$                                      | Input capacitance to ground (CANH or CANL)                                     | $TXD = V_{CC}$ , $V_{IO} = V_{CC}$  |     | 24                 | 30   | pF            |
| $C_{ID}$                                   | Differential input capacitance   | $TXD = V_{CC}$ , $V_{IO} = V_{CC}$  |     | 12                 | 15   | pF            |
| $R_{ID}$                                   | Differential input resistance  | $TXD = V_{CC} = V_{IO} = 5\text{ V}$ , $S = 0\text{ V}$ ,<br>$-30\text{ V} \leq V_{CM} \leq +30\text{ V}$         | 30  |                    | 80   | k $\Omega$    |
| $R_{IN}$                                   | Input resistance (CANH or CANL)  |   | 15  |                    | 40   | k $\Omega$    |
| $R_{IN(M)}$                                | Input resistance matching:<br>$[1 - R_{IN(CANH)} / R_{IN(CANL)}] \times 100\%$ | $V_{CANH} = V_{CANL} = 5\text{ V}$  | -2% |                    | +2%  |               |

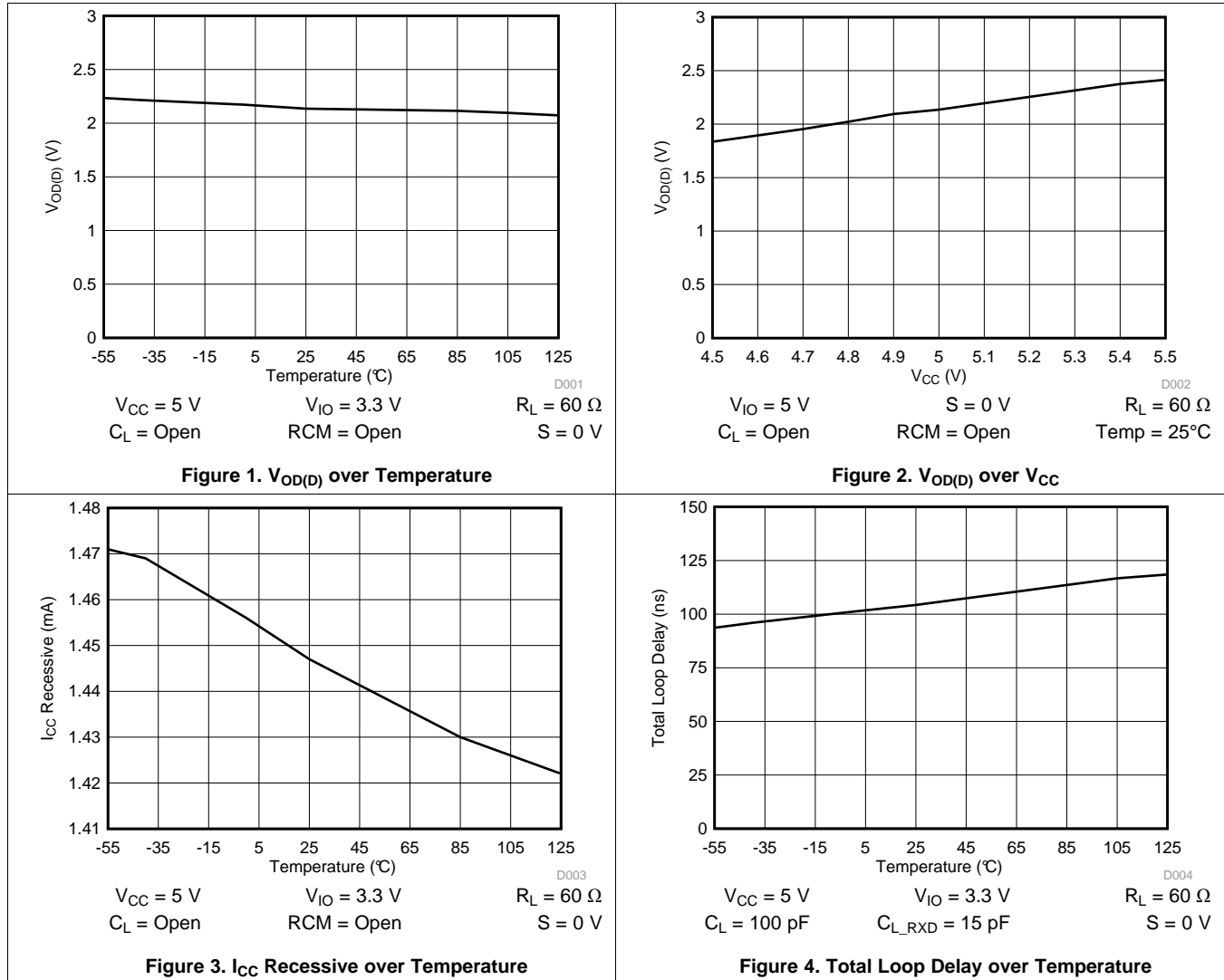
## 7.7 Switching Characteristics

Over recommended operating conditions with  $T_A = -55^\circ\text{C}$  to  $125^\circ\text{C}$  (unless otherwise noted)

| PARAMETER                                 |  | TEST CONDITIONS  | MIN | TYP <sup>(1)</sup> | MAX | UNIT          |
|---|--|--|-----|--------------------|-----|---------------|
| <b>DEVICE SWITCHING CHARACTERISTICS</b>   |  |  |     |                    |     |               |
| $t_{\text{PROP(LOOP1)}}$                  | Total loop delay, driver input (TXD) to receiver output (RXD), recessive to dominant                 | See <a href="#">Figure 8</a> , $S = 0\text{ V}$ ,<br>$R_L = 60\ \Omega$ ,<br>$C_L = 100\ \text{pF}$ , $C_{L(\text{RXD})} = 15\ \text{pF}$  |     | 100                | 160 | ns            |
| $t_{\text{PROP(LOOP2)}}$                  | Total loop delay, driver input (TXD) to receiver output (RXD), dominant to recessive                 |  |     | 110                | 175 |               |
| $t_{\text{MODE}}$                         | Mode change time, from Normal to Silent or from Silent to Normal                                     | See <a href="#">Figure 7</a>   |     | 1                  | 10  | $\mu\text{s}$ |
| <b>DRIVER SWITCHING CHARACTERISTICS</b>   |  |  |     |                    |     |               |
| $t_{\text{pHR}}$                          | Propagation delay time, high TXD to driver recessive (dominant to recessive)                         | See <a href="#">Figure 5</a> , $S = 0\text{ V}$ ,<br>$R_L = 60\ \Omega$ ,<br>$C_L = 100\ \text{pF}$ , $R_{\text{CM}} = \text{open}$  |     | 75                 |     | ns            |
| $t_{\text{pLD}}$                          | Propagation delay time, low TXD to driver dominant (recessive to dominant)                           |  |     | 55                 |     |               |
| $t_{\text{sk(p)}}$                        | Pulse skew ( $ t_{\text{pHR}} - t_{\text{pLD}} $ )   |  |     | 20                 |     |               |
| $t_{\text{R}}$                            | Differential output signal rise time   |  |     | 45                 |     |               |
| $t_{\text{F}}$                            | Differential output signal fall time   |  |     | 45                 |     |               |
| $t_{\text{TXD\_DTO}}$                     | Dominant timeout   | See <a href="#">Figure 10</a> , $S = 0\text{ V}$ ,<br>$R_L = 60\ \Omega$ , $C_L = \text{open}$   | 1.2 |                    | 3.8 | ms            |
| <b>RECEIVER SWITCHING CHARACTERISTICS</b> |  |  |     |                    |     |               |
| $t_{\text{pRH}}$                          | Propagation delay time, bus recessive input to high output (Dominant to Recessive)                   | See <a href="#">Figure 6</a> , $S = 0\text{ V}$ ,<br>$C_{L(\text{RXD})} = 15\ \text{pF}$   |     | 65                 |     | ns            |
| $t_{\text{pDL}}$                          | Propagation delay time, bus dominant input to low output (Recessive to Dominant)                     |  |     | 50                 |     | ns            |
| $t_{\text{R}}$                            | RXD Output signal rise time  |  |     | 10                 |     | ns            |
| $t_{\text{F}}$                            | RXD Output signal fall time  |  |     | 10                 |     | ns            |
| <b>FD Timing Parameters</b>               |  |  |     |                    |     |               |
| $t_{\text{BIT(BUS)}}$                     | Bit time on CAN bus output pins with $t_{\text{BIT(TXD)}} = 500\ \text{ns}$ , all devices            | See <a href="#">Figure 9</a> , $S = 0\text{ V}$ ,<br>$R_L = 60\ \Omega$ , $C_L = 100\ \text{pF}$ ,<br>$C_{L(\text{RXD})} = 15\ \text{pF}$ ,<br>$\Delta t_{\text{REC}} = t_{\text{BIT(RXD)}} - t_{\text{BIT(BUS)}}$ |     | 435                | 530 | ns            |
|   | Bit time on CAN bus output pins with $t_{\text{BIT(TXD)}} = 200\ \text{ns}$ , G device variants only |  |     | 155                | 210 |               |
| $t_{\text{BIT(RXD)}}$                     | Bit time on RXD output pins with $t_{\text{BIT(TXD)}} = 500\ \text{ns}$ , all devices                |  |     | 400                | 550 |               |
|   | Bit time on RXD output pins with $t_{\text{BIT(TXD)}} = 200\ \text{ns}$ , G device variants only     |  |     | 120                | 220 |               |
| $\Delta t_{\text{REC}}$                   | Receiver timing symmetry with $t_{\text{BIT(TXD)}} = 500\ \text{ns}$ , all devices                   |  |     | -65                | 40  |               |
|   | Receiver timing symmetry with $t_{\text{BIT(TXD)}} = 200\ \text{ns}$ , G device variants only        |  |     | -45                | 15  |               |

(1) All typical values are at  $25^\circ\text{C}$  and supply voltages of  $V_{\text{CC}} = 5\text{ V}$  and  $V_{\text{IO}} = 5\text{ V}$ ,  $R_L = 60\ \Omega$ .

## 7.8 Typical Characteristics



## 8 Parameter Measurement Information

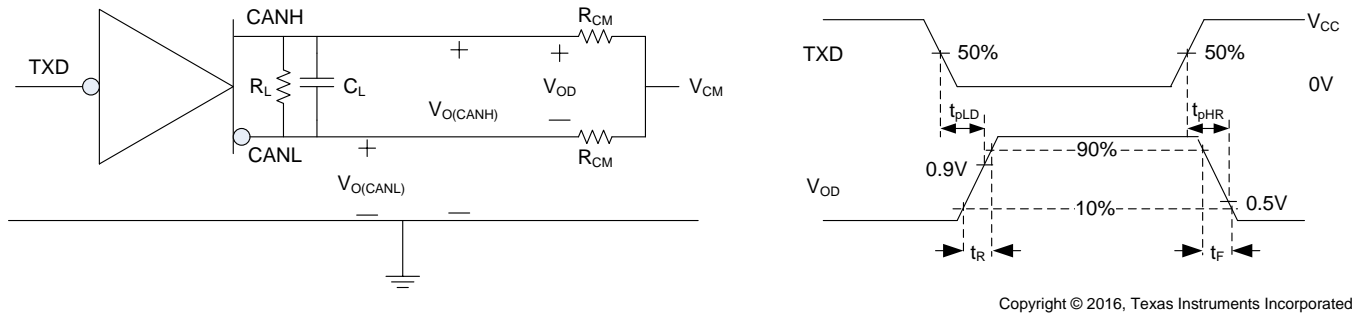


Figure 5. Driver Test Circuit and Measurement

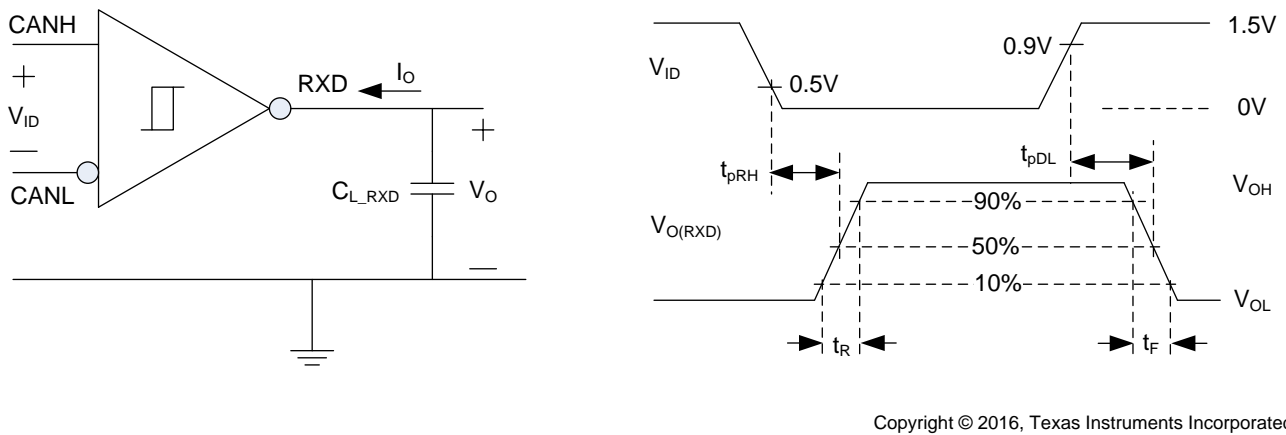
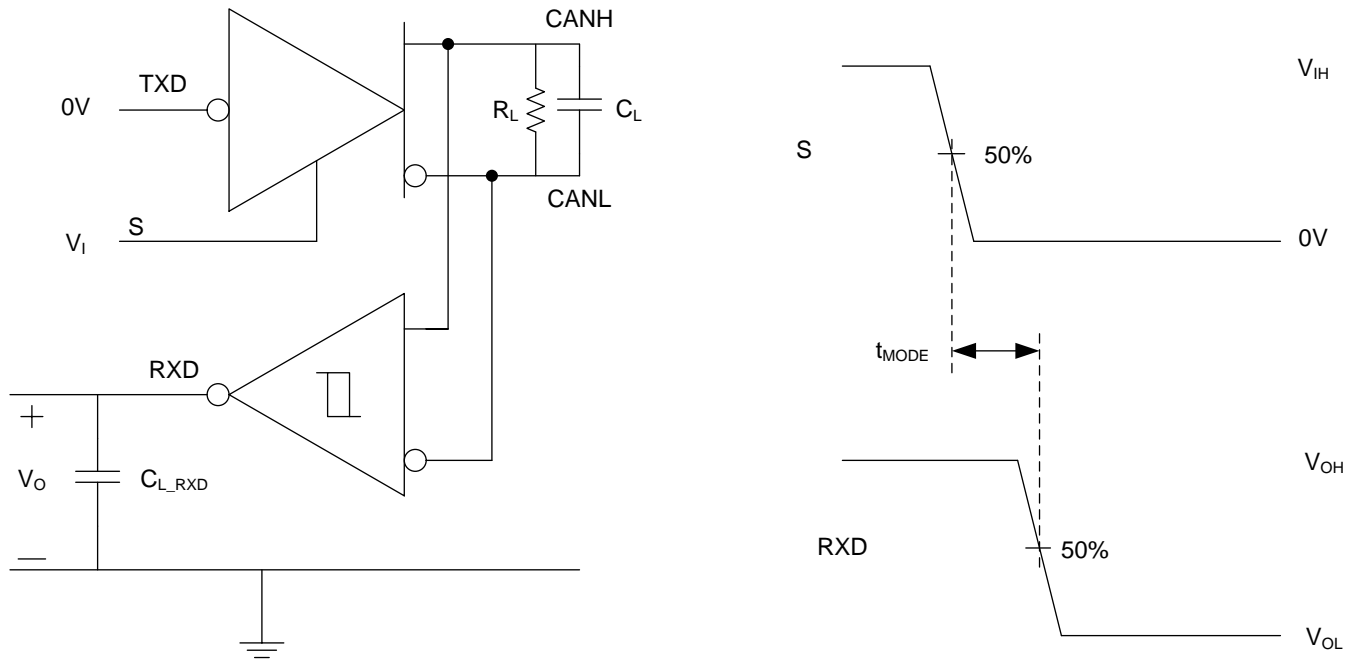


Figure 6. Receiver Test Circuit and Measurement

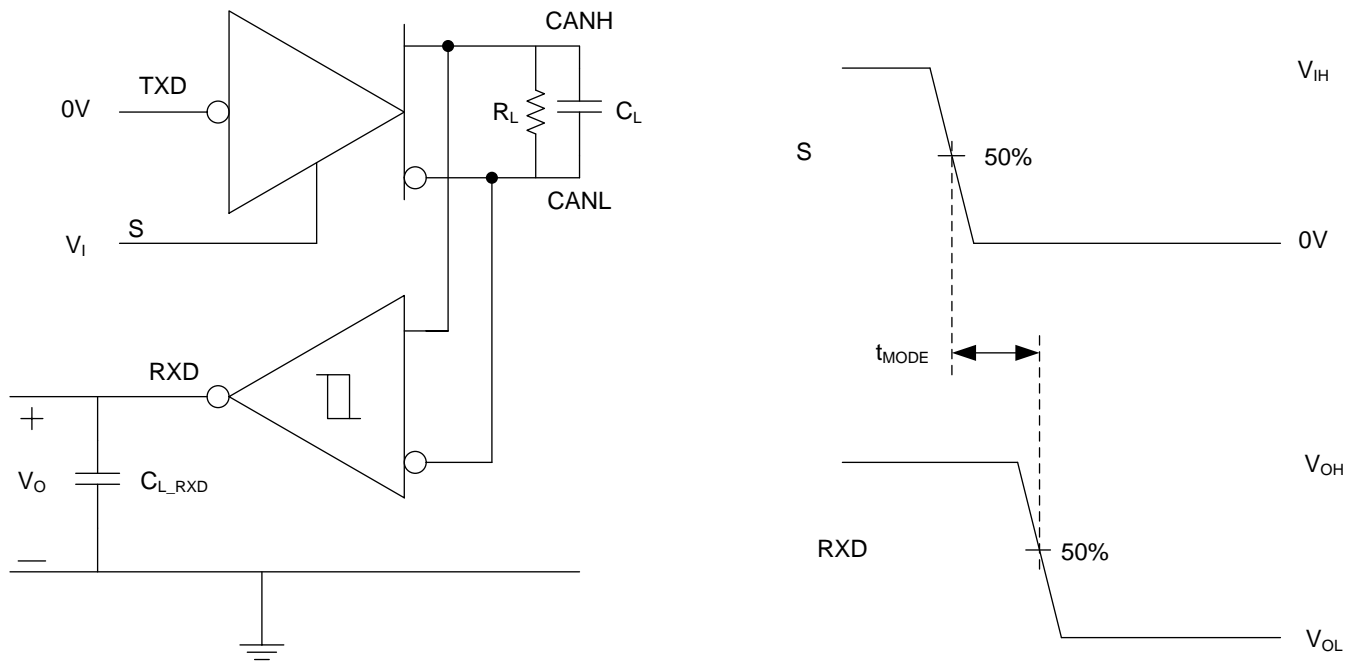
Table 1. Receiver Differential Input Voltage Threshold Test (See Figure 6)

| INPUT      |            |            | OUTPUT |          |
|------------|------------|------------|--------|----------|
| $V_{CANH}$ | $V_{CANL}$ | $ V_{ID} $ | RXD    |          |
| -29.5 V    | -30.5 V    | 1000 mV    | L      | $V_{OL}$ |
| 30.5 V     | 29.5 V     | 1000 mV    | L      |          |
| -19.55 V   | -20.45 V   | 900 mV     | L      |          |
| 20.45 V    | 19.55 V    | 900 mV     | L      |          |
| -19.75 V   | -20.25 V   | 500 mV     | H      | $V_{OH}$ |
| 20.25 V    | 19.75 V    | 500 mV     | H      |          |
| -29.8 V    | -30.2 V    | 400 mV     | H      |          |
| 30.2 V     | 29.8 V     | 400 mV     | H      |          |
| Open       | Open       | X          | H      |          |



Copyright © 2016, Texas Instruments Incorporated

**Figure 7.  $t_{MODE}$  Test Circuit and Measurement**



Copyright © 2016, Texas Instruments Incorporated

**Figure 8.  $T_{PROP(LOOP)}$  Test Circuit and Measurement**

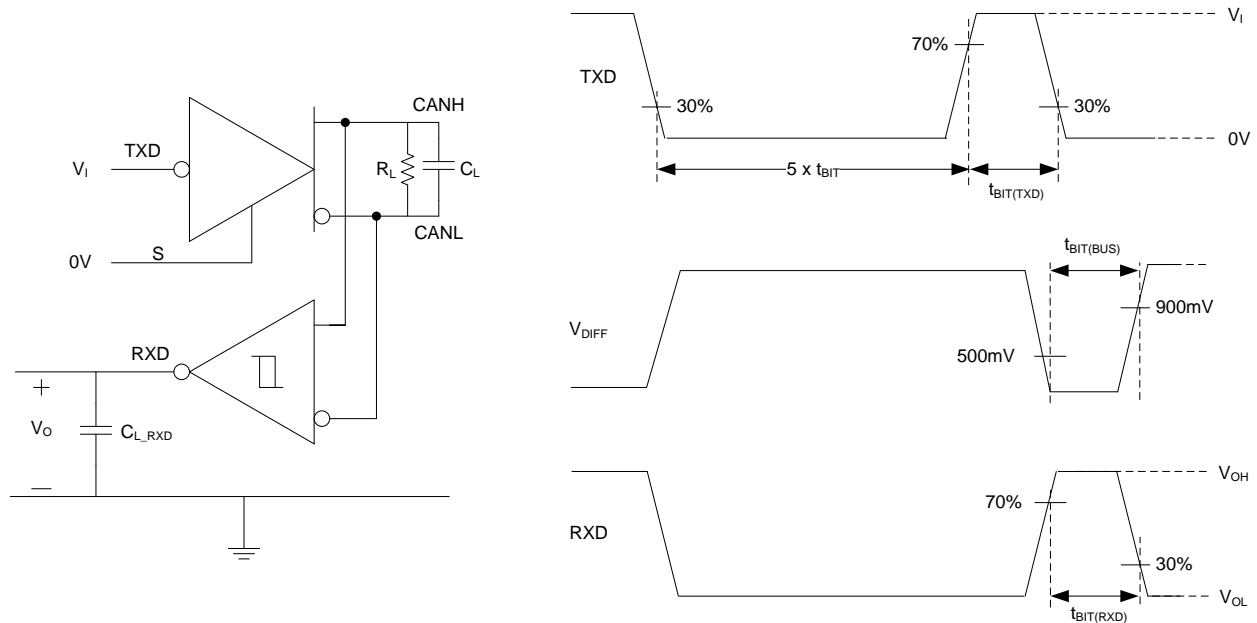
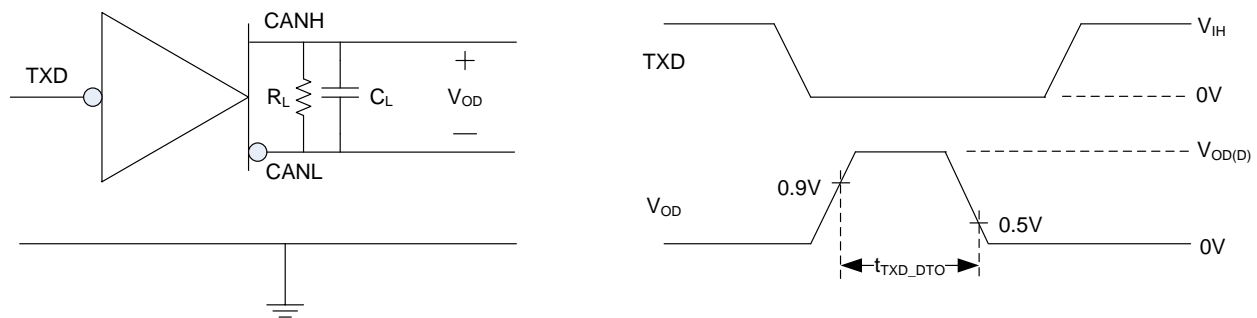
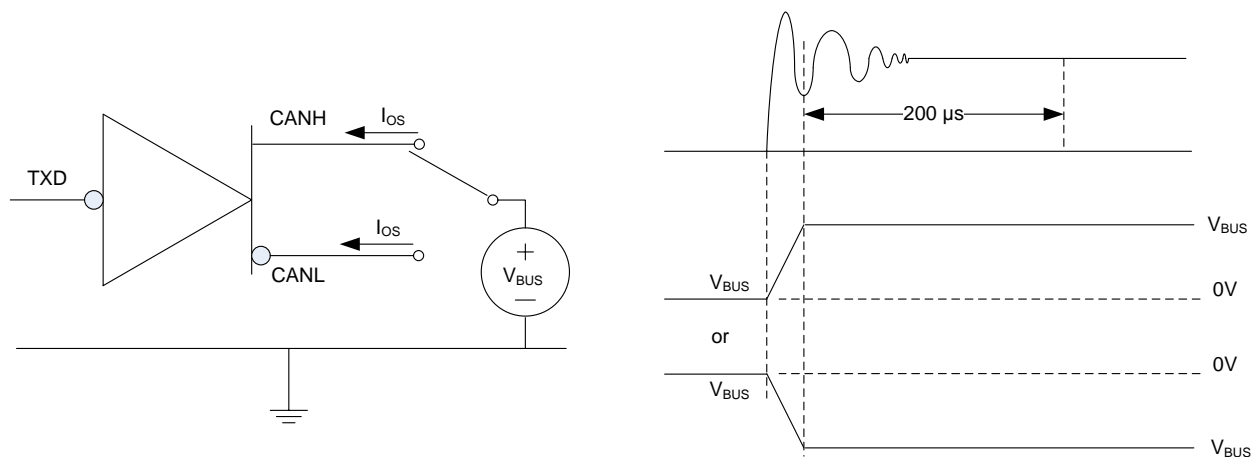


Figure 9. CAN FD Timing Parameter Measurement



Copyright © 2016, Texas Instruments Incorporated

Figure 10. TXD Dominant Timeout Test Circuit and Measurement



Copyright © 2016, Texas Instruments Incorporated

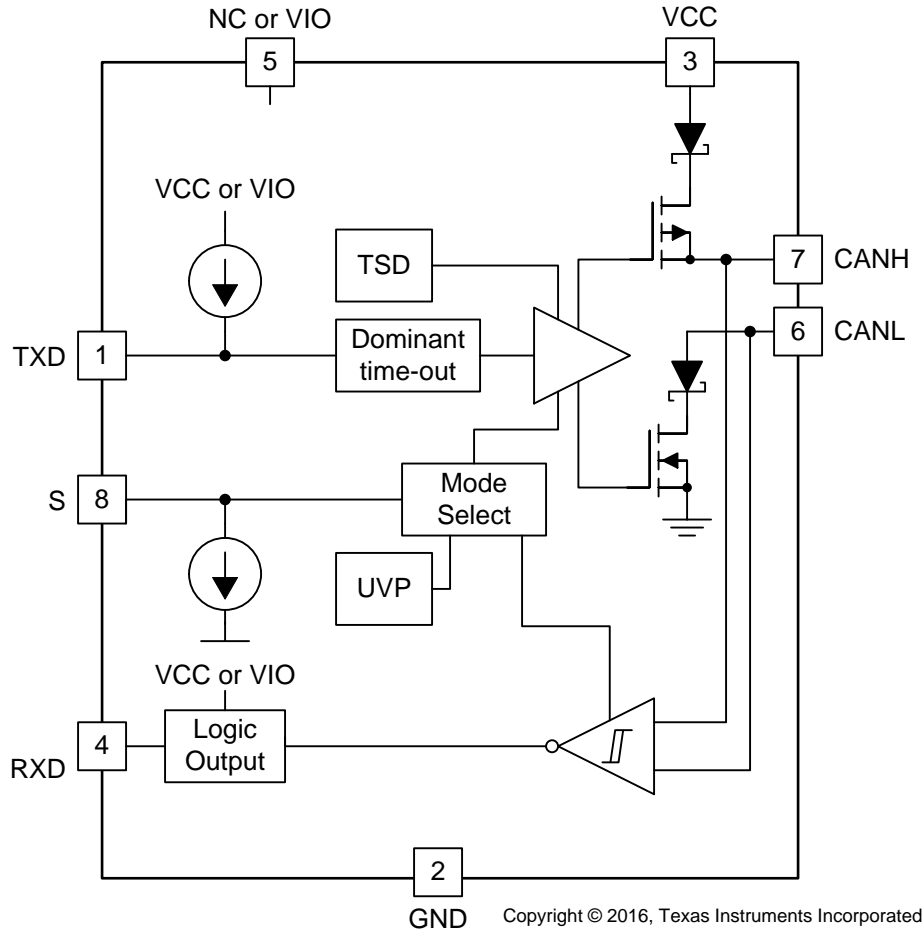
Figure 11. Driver Short Circuit Current Test and Measurement

## 9 Detailed Description

### 9.1 Overview

These CAN transceivers meet the ISO11898-2 (2016) High Speed CAN (Controller Area Network) physical layer standard. They are designed for data rates in excess of 1 Mbps for CAN FD and enhanced timing margin / higher data rates in long and highly-loaded networks. These devices provide many protection features to enhance device and CAN robustness.

### 9.2 Functional Block Diagram





## 9.3 Feature Description

### 9.3.1 TXD Dominant Timeout (DTO)

During normal mode (the only mode where the CAN driver is active), the TXD DTO circuit prevents the transceiver from blocking network communication in the event of a hardware or software failure where TXD is held dominant longer than the timeout period  $t_{TXD\_DTO}$ . The DTO circuit timer starts on a falling edge on TXD. The DTO circuit disables the CAN bus driver if no rising edge is seen before the timeout period expires. This frees the bus for communication between other nodes on the network. The CAN driver is re-activated when a recessive signal is seen on the TXD terminal, thus clearing the TXD DTO condition. The receiver and RXD terminal still reflect activity on the CAN bus, and the bus terminals are biased to the recessive level during a TXD dominant timeout.

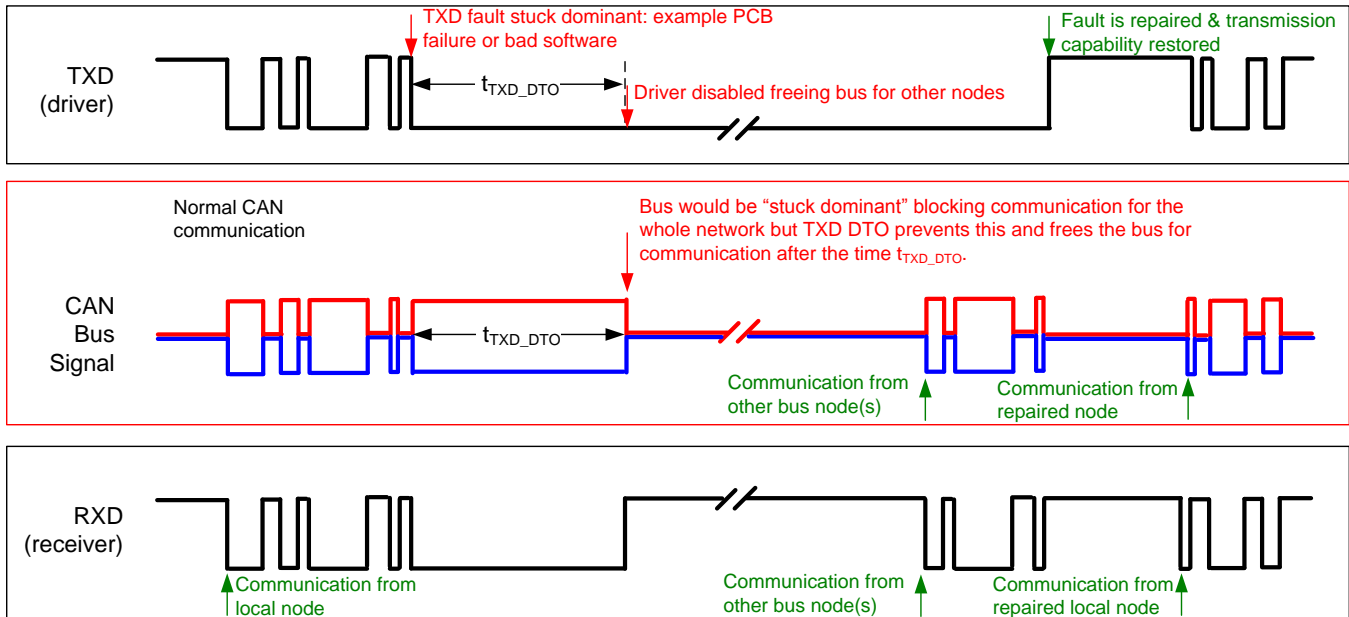


Figure 12. Example Timing Diagram for TXD DTO

#### NOTE

The minimum dominant TXD time allowed by the TXD DTO circuit limits the minimum possible transmitted data rate of the device. The CAN protocol allows a maximum of eleven successive dominant bits (on TXD) for the worst case, where five successive dominant bits are followed immediately by an error frame. This, along with the  $t_{TXD\_DTO}$  minimum, limits the minimum data rate. Calculate the minimum transmitted data rate by:  
Minimum Data Rate =  $11 / t_{TXD\_DTO}$ .

### 9.3.2 Thermal Shutdown (TSD)

If the junction temperature of the device exceeds the thermal shutdown threshold ( $T_{TSD}$ ), the device turns off the CAN driver circuits thus blocking the TXD-to-bus transmission path. The CAN bus terminals are biased to the recessive level during a thermal shutdown, and the receiver-to-RXD path remains operational. The shutdown condition is cleared when the junction temperature drops at least the thermal shutdown hysteresis temperature ( $T_{TSD\_HYS}$ ) below the thermal shutdown temperature ( $T_{TSD}$ ) of the device.

## Feature Description (continued)

### 9.3.3 Undervoltage Lockout

The supply terminals have undervoltage detection that places the device in protected mode. This protects the bus during an undervoltage event on either the  $V_{CC}$  or  $V_{IO}$  supply terminals.

**Table 2. Undervoltage Lockout 5 V Only Devices (Devices without the "V" Suffix)<sup>(1)</sup>**

| $V_{CC}$     | DEVICE STATE | BUS OUTPUT     | RXD                        |
|--------------|--------------|----------------|----------------------------|
| $> UV_{VCC}$ | Normal       | Per TXD        | Mirrors Bus <sup>(2)</sup> |
| $< UV_{VCC}$ | Protected    | High Impedance | High Impedance             |

(1) See the  $V_{IT}$  section of the [Electrical Characteristics](#).

(2) Mirrors bus state: low if CAN bus is dominant, high if CAN bus is recessive.

**Table 3. Undervoltage Lockout I/O Level Shifting Devices (Devices with the "V" Suffix)**

| $V_{CC}$     | $V_{IO}$     | DEVICE STATE | BUS OUTPUT     | RXD                        |
|--------------|--------------|--------------|----------------|----------------------------|
| $> UV_{VCC}$ | $> UV_{VIO}$ | Normal       | Per TXD        | Mirrors Bus <sup>(1)</sup> |
| $< UV_{VCC}$ | $> UV_{VIO}$ | Protected    | High Impedance | High (Recessive)           |
| $> UV_{VCC}$ | $< UV_{VIO}$ | Protected    | High Impedance | High Impedance             |
| $< UV_{VCC}$ | $< UV_{VIO}$ | Protected    | High Impedance | High Impedance             |

(1) Mirrors bus state: low if CAN bus is dominant, high if CAN bus is recessive.

#### NOTE

After an undervoltage condition is cleared and the supplies have returned to valid levels, the device typically resumes normal operation within 50  $\mu$ s.

### 9.3.4 Unpowered Device

The device is designed to be 'ideal passive' or 'no load' to the CAN bus if it is unpowered. The bus terminals (CANH, CANL) have extremely low leakage currents when the device is unpowered to avoid loading down the bus. This is critical if some nodes of the network are unpowered while the rest of the of network remains in operation. The logic terminals also have extremely low leakage currents when the device is unpowered to avoid loading down other circuits that may remain powered.

### 9.3.5 Floating Terminals

These devices have internal pull ups on critical terminals to place the device into known states if the terminals float. The TXD terminal is pulled up to  $V_{CC}$  or  $V_{IO}$  to force a recessive input level if the terminal floats. The S terminal is also pulled down to force the device into Normal mode if the terminal floats.

### 9.3.6 CAN Bus Short Circuit Current Limiting

The device has two protection features that limit the short circuit current when a CAN bus line is short-circuit fault condition: driver current limiting (both dominant and recessive states) and TXD dominant state time out to prevent permanent higher short circuit current of the dominant state during a system fault. During CAN communication the bus switches between dominant and recessive states, thus the short circuit current may be viewed either as the instantaneous current during each bus state or as an average current of the two states. For system current (power supply) and power considerations in the termination resistors and common-mode choke ratings, use the average short circuit current. Determine the ratio of dominant and recessive bits by the data in the CAN frame plus the following factors of the protocol and PHY that force either recessive or dominant at certain times:

- Control fields with set bits
- Bit stuffing
- Interframe space
- TXD dominant time out (fault case limiting)

These ensure a minimum recessive amount of time on the bus even if the data field contains a high percentage of dominant bits. The short circuit current of the bus depends on the ratio of recessive to dominant bits and their respective short circuit currents. The average short circuit current may be calculated with the following formula:

$$I_{OS(AVG)} = \%Transmit \times [(\%REC\_Bits \times I_{OS(SS)\_REC}) + (\%DOM\_Bits \times I_{OS(SS)\_DOM})] + [\%Receive \times I_{OS(SS)\_REC}] \quad (1)$$

Where:

- $I_{OS(AVG)}$  is the average short circuit current
- %Transmit is the percentage the node is transmitting CAN messages
- %Receive is the percentage the node is receiving CAN messages
- %REC\_Bits is the percentage of recessive bits in the transmitted CAN messages
- %DOM\_Bits is the percentage of dominant bits in the transmitted CAN messages
- $I_{OS(SS)\_REC}$  is the recessive steady state short circuit current
- $I_{OS(SS)\_DOM}$  is the dominant steady state short circuit current

---

**NOTE**

Consider the short circuit current and possible fault cases of the network when sizing the power ratings of the termination resistance and other network components.

---

### 9.3.7 Digital Inputs and Outputs

#### 9.3.7.1 5-V $V_{CC}$ Only Devices (Devices without the "V" Suffix):

The 5-V  $V_{CC}$  only devices are supplied by a single 5-V rail. The digital inputs have TTL input thresholds and are therefore 5 V and 3.3 V compatible. The RXD outputs on these devices are driven to the  $V_{CC}$  rail for logic high output. Additionally, the TXD pin is internally pulled up to  $V_{CC}$ , and the S pin is pulled low to GND. The internal bias of the mode pins may only place the device into a known state if the terminals float, they may not be adequate for system-level biasing during transients or noisy environments.

---

**NOTE**

TXD pull up strength and CAN bit timing require special consideration when these devices are used with CAN controllers with an open-drain TXD output. An adequate external pull up resistor must be used to ensure that the CAN controller output of the microcontroller maintains adequate bit timing to the TXD input.

---

#### 9.3.7.2 5 V $V_{CC}$ with $V_{IO}$ I/O Level Shifting (Devices with the "V" Suffix):

These devices use a 5 V  $V_{CC}$  power supply for the CAN driver and high speed receiver blocks. These transceivers have a second power supply for I/O level-shifting ( $V_{IO}$ ). This supply is used to set the CMOS input thresholds of the TXD and S pins and the RXD high level output voltage. Additionally, the TXD pin is internally pulled up to  $V_{IO}$ , and the S pin is pulled low to GND.

## 9.4 Device Functional Modes

The device has two main operating modes: Normal mode and Silent mode. Operating mode selection is made via the S input terminal.

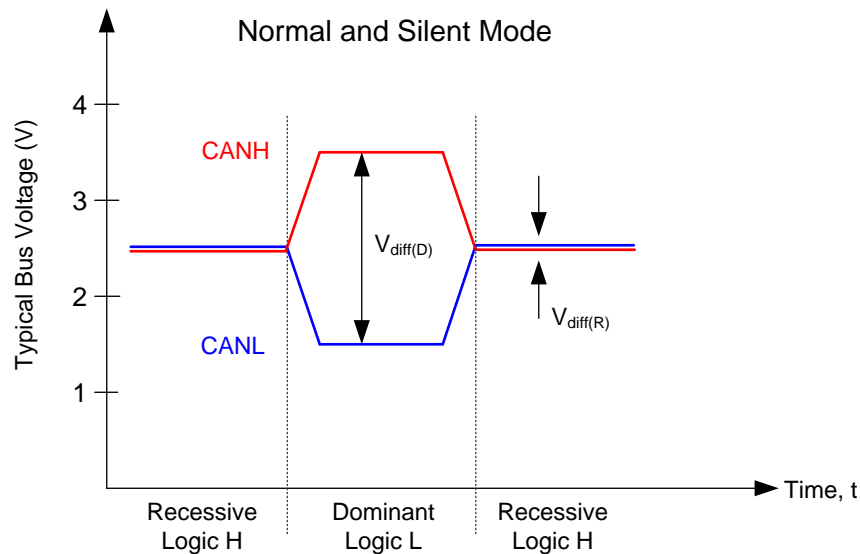
**Table 4. Operating Modes**

| S Terminal | MODE        | DRIVER         | RECEIVER     | RXD Terminal                     |
|------------|-------------|----------------|--------------|----------------------------------|
| LOW        | Normal Mode | Enabled (ON)   | Enabled (ON) | Mirrors Bus State <sup>(1)</sup> |
| HIGH       | Silent Mode | Disabled (OFF) | Enabled (ON) | Mirrors Bus State <sup>(1)</sup> |

(1) Mirrors bus state: low if CAN bus is dominant, high if CAN bus is recessive.

### 9.4.1 CAN Bus States

The CAN bus has two states during powered operation of the device: *dominant* and *recessive*. A dominant bus state is when the bus is driven differentially, corresponding to a logic low on the TXD and RXD terminal. A recessive bus state is when the bus is biased to  $V_{CC} / 2$  via the high-resistance internal input resistors  $R_{IN}$  of the receiver, corresponding to a logic high on the TXD and RXD terminals.



**Figure 13. Bus States (Physical Bit Representation)**

### 9.4.2 Normal Mode

Select the *Normal mode* of device operation by setting S terminal low. The CAN driver and receiver are fully operational and CAN communication is bi-directional. The driver translates a digital input on TXD to a differential output on CANH and CANL. The receiver translates the differential signal from CANH and CANL to a digital output on RXD.

### 9.4.3 Silent Mode

Activate *Silent mode* by setting S terminal high. The CAN driver is disabled, preventing communication from the TXD pin to the CAN bus. The high speed receiver remains active so that CAN bus communication continues to be relayed to the RXD output pin.

#### 9.4.4 Driver and Receiver Function Tables

**Table 5. Driver Function Table**

| DEVICE      | INPUTS           |                        | OUTPUTS             |                     | DRIVEN BUS STATE |
|-------------|------------------|------------------------|---------------------|---------------------|------------------|
|             | S <sup>(1)</sup> | TXD <sup>(1) (2)</sup> | CANH <sup>(1)</sup> | CANL <sup>(1)</sup> |                  |
| All Devices | L or open        | L                      | H                   | L                   | Dominant         |
|             |                  | H or Open              | Z                   | Z                   | Recessive        |
|             | H                | X                      | Z                   | Z                   | Recessive        |

- (1) H = high level, L = low level, X = irrelevant, Z = common mode (recessive) bias to  $V_{CC} / 2$ . See [Figure 13](#) and for bus state and common mode bias information.
- (2) Devices have an internal pull up to  $V_{CC}$  or  $V_{IO}$  on TXD terminal. If the TXD terminal is open the terminal will be pulled high and the transmitter will remain in recessive (non-driven) state.

**Table 6. Receiver Function Table**

| DEVICE MODE      | CAN DIFFERENTIAL INPUTS<br>$V_{ID} = V_{CANH} - V_{CANL}$ | BUS STATE | RXD TERMINAL <sup>(1)</sup> |
|------------------|---|-----------|-----------------------------|
| Normal or Silent | $V_{ID} \geq V_{IT+(MAX)}$                                | Dominant  | L <sup>(2)</sup>            |
|                  | $V_{IT-(MIN)} < V_{ID} < V_{IT+(MAX)}$                    | ?         | ? <sup>(2)</sup>            |
|                  | $V_{ID} \leq V_{IT-(MIN)}$                                | Recessive | H <sup>(2)</sup>            |
|                  | Open ( $V_{ID} \approx 0$ V)                              | Open      | H                           |

- (1) H = high level, L = low level, ? = indeterminate.
- (2) See Receiver Electrical Characteristics section for input thresholds.

## 10 Application and Implementation

### NOTE

Information in the following applications sections is not part of the TI component specification, and TI does not warrant its accuracy or completeness. TI's customers are responsible for determining suitability of components for their purposes. Customers should validate and test their design implementation to confirm system functionality.

### 10.1 Application Information

These CAN transceivers are typically used in applications with a host microprocessor or FPGA that includes the data link layer portion of the CAN protocol. Below are typical application configurations for both 5 V and 3.3 V microprocessor applications. The bus termination is shown for illustrative purposes.

### 10.2 Typical Applications

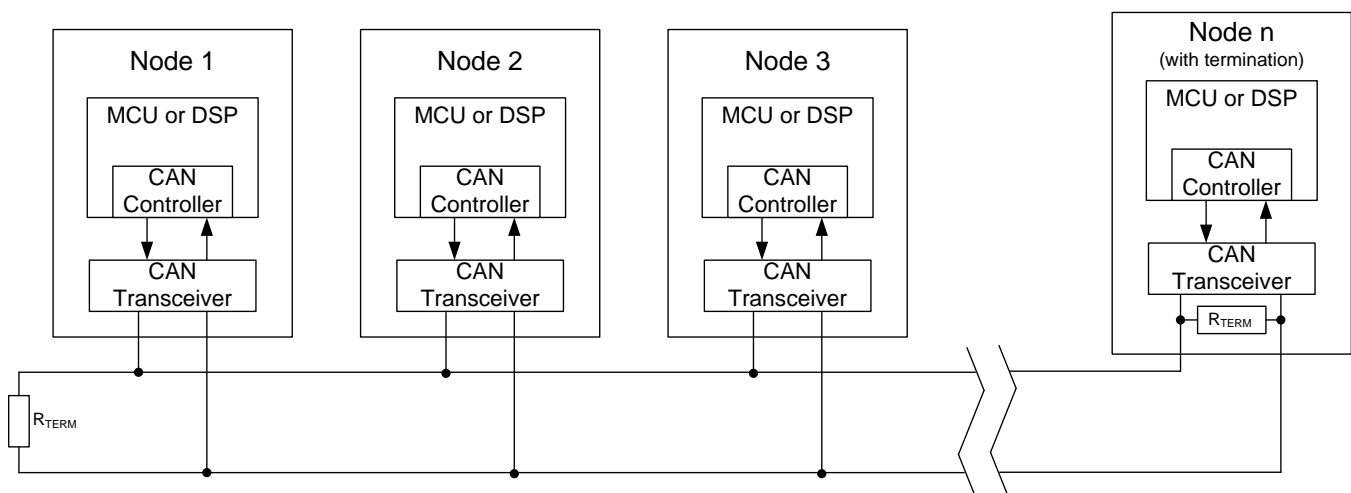


Figure 14. Typical CAN Bus Application

#### 10.2.1 Design Requirements

##### 10.2.1.1 Bus Loading, Length and Number of Nodes

The ISO 11898-2 Standard specifies a maximum bus length of 40 m and maximum stub length of 0.3 m. However, with careful design, users can have longer cables, longer stub lengths, and many more nodes to a bus. A large number of nodes requires transceivers with high input impedance such as the TCAN1051 family of transceivers.

Many CAN organizations and standards have scaled the use of CAN for applications outside the original ISO 11898-2. They have made system-level trade-offs for data rate, cable length, and parasitic loading of the bus. Examples of some of these specifications are ARINC825, CANopen, DeviceNet and NMEA2000.

The TCAN1051 family is specified to meet the 1.5 V requirement with a 50Ω load, incorporating the worst case including parallel transceivers. The differential input resistance of the TCAN1051 family is a minimum of 30 kΩ. If 100 TCAN1051 family transceivers are in parallel on a bus, this is equivalent to a 300Ω differential load worst case. That transceiver load of 300 Ω in parallel with the 60Ω gives an equivalent loading of 50 Ω. Therefore, the TCAN1051 family theoretically supports up to 100 transceivers on a single bus segment. However, for CAN network design margin must be given for signal loss across the system and cabling, parasitic loadings, network imbalances, ground offsets and signal integrity thus a practical maximum number of nodes is typically much lower. Bus length may also be extended beyond the original ISO 11898 standard of 40 m by careful system design and data rate tradeoffs. For example CANopen network design guidelines allow the network to be up to 1 km with changes in the termination resistance, cabling, less than 64 nodes and significantly lowered data rate.

## Typical Applications (continued)

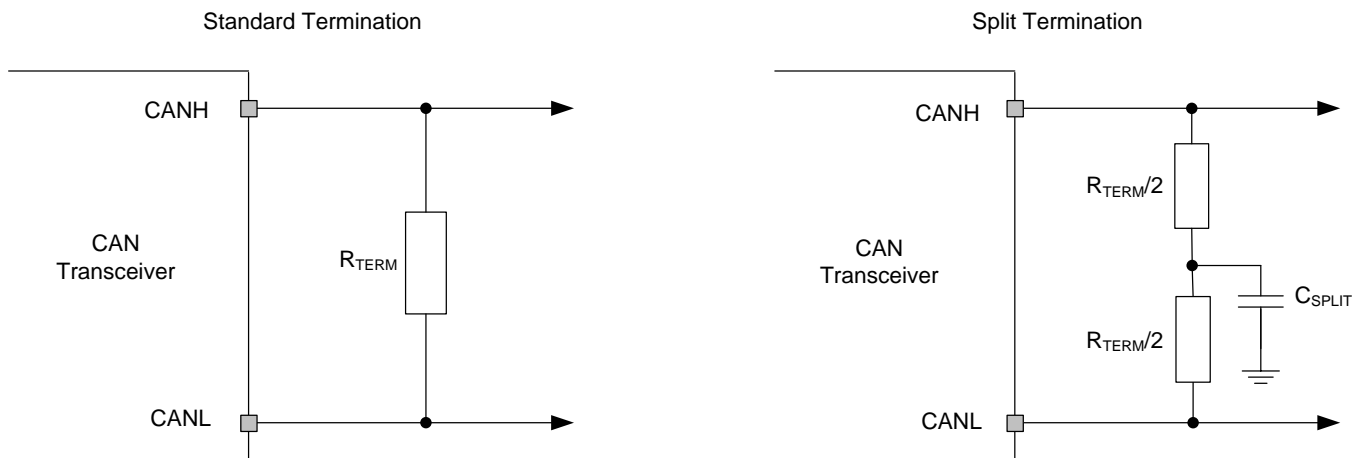
This flexibility in CAN network design is one of the key strengths of the various extensions and additional standards that have been built on the original ISO 11898-2 CAN standard. In using this flexibility comes the responsibility of good network design and balancing these tradeoffs.

### 10.2.2 Detailed Design Procedures

#### 10.2.2.1 CAN Termination

The ISO 11898 standard specifies the interconnect to be a twisted pair cable (shielded or unshielded) with 120- $\Omega$  characteristic impedance ( $Z_0$ ). Resistors equal to the characteristic impedance of the line should be used to terminate both ends of the cable to prevent signal reflections. Unterminated drop lines (stubs) connecting nodes to the bus should be kept as short as possible to minimize signal reflections. The termination may be on the cable or in a node, but if nodes may be removed from the bus, the termination must be carefully placed so that two terminations always exist on the network.

Termination may be a single 120- $\Omega$  resistor at the end of the bus, either on the cable or in a terminating node. If filtering and stabilization of the common mode voltage of the bus is desired, then split termination may be used. (See Figure 15). Split termination improves the electromagnetic emissions behavior of the network by eliminating fluctuations in the bus common-mode voltages at the start and end of message transmissions.

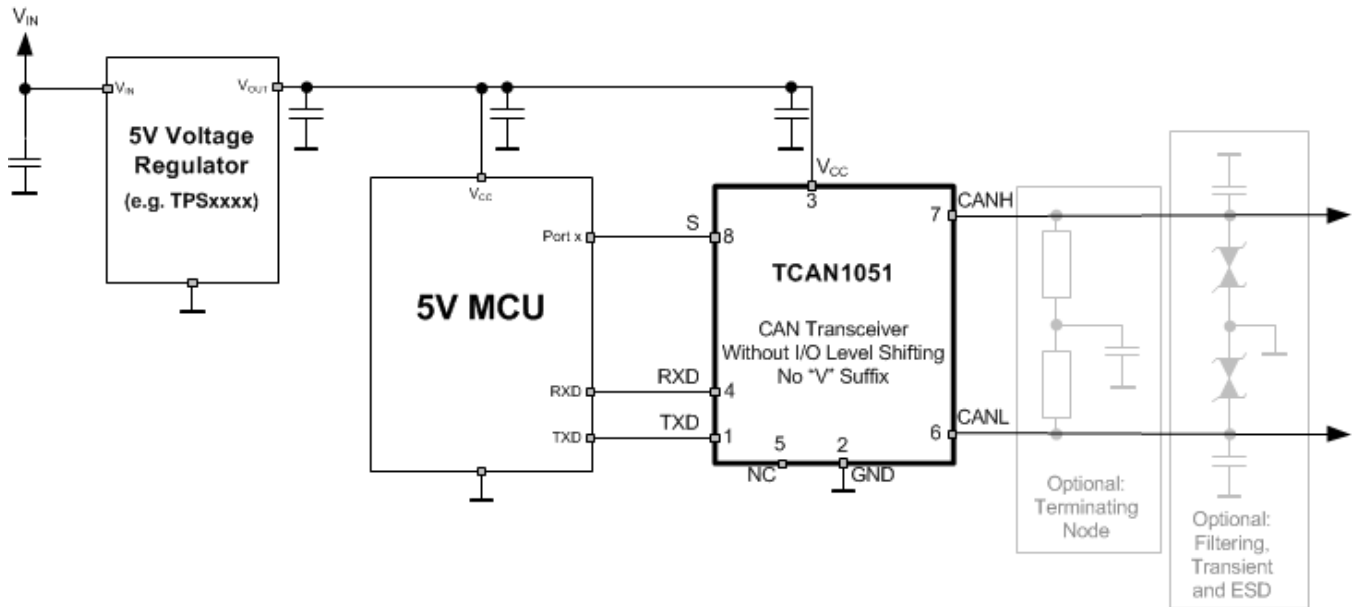


Copyright © 2016, Texas Instruments Incorporated

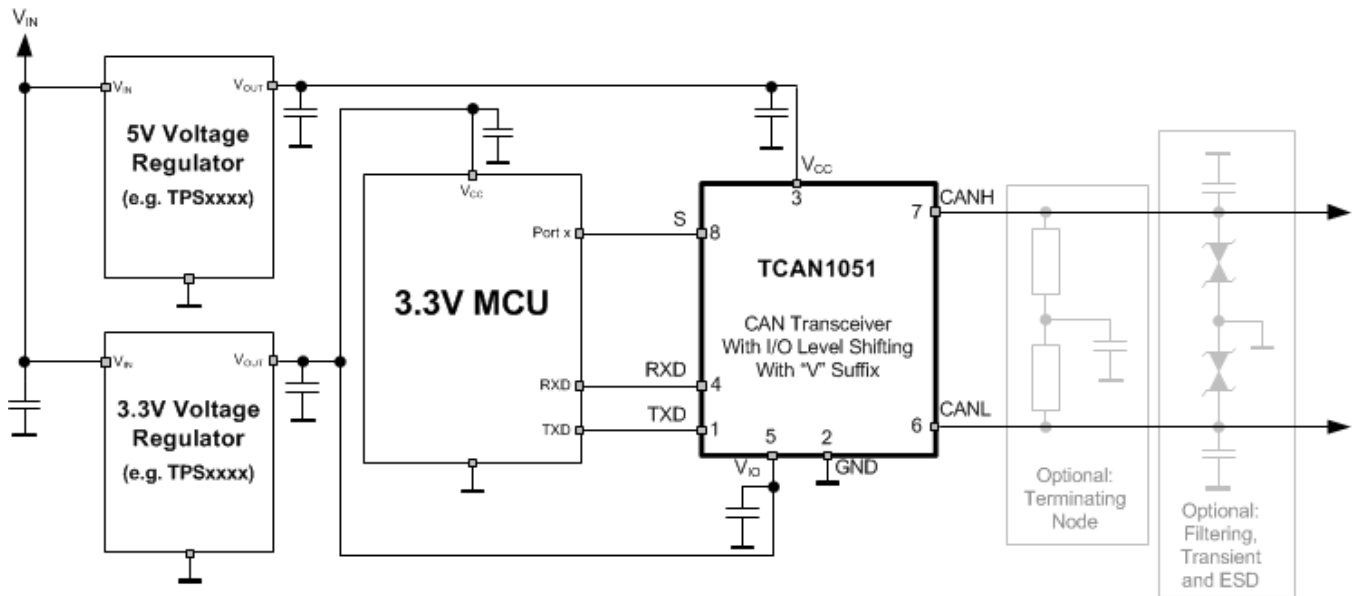
**Figure 15. CAN Bus Termination Concepts**

The TCAN1051 family of transceivers have variants for both 5-V only applications and applications where level shifting is needed for a 3.3-V microcontroller.

**Typical Applications (continued)**



**Figure 16. Typical CAN Bus Application Using 5 V CAN Controller**

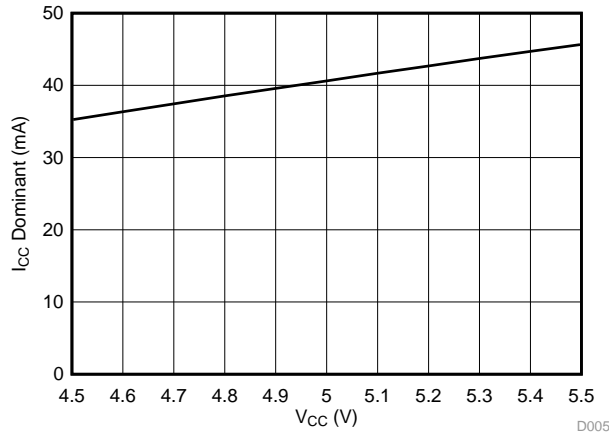


**Figure 17. Typical CAN Bus Application Using 3.3 V CAN Controller**



**Typical Applications (continued)**

**10.2.3 Application Curves**



V<sub>CC</sub> = 4.5 V to 5.5 V      V<sub>IO</sub> = 3.3 V      R<sub>L</sub> = 60 Ω

C<sub>L</sub> = Open      Temp = 25°C      S = 0 V

**Figure 18. I<sub>CC</sub> Dominant Current over V<sub>CC</sub> Supply Voltage**

## 11 Power Supply Requirements

These devices are designed to operate from a  $V_{CC}$  input supply voltage range between 4.5 V and 5.5 V. Some devices have an output level shifting supply input,  $V_{IO}$ , designed for a range between 3.0 V and 5.5 V. Both supply inputs must be well regulated. A bulk capacitance, typically 4.7  $\mu\text{F}$ , should be placed near the CAN transceiver's main  $V_{CC}$  supply output, and in addition a bypass capacitor, typically 0.1  $\mu\text{F}$ , should be placed as close to the device's  $V_{CC}$  and  $V_{IO}$  supply terminals. This helps to reduce supply voltage ripple present on the outputs of the switched-mode power supplies and also helps to compensate for the resistance and inductance of the PCB power planes and traces.

## 12 Layout

Robust and reliable bus node design often requires the use of external transient protection device in order to protect against EFT and surge transients that may occur in industrial environments. Because ESD and transients have a wide frequency bandwidth from approximately 3 MHz to 3 GHz, high-frequency layout techniques must be applied during PCB design. The TCAN1051 family comes with high on-chip IEC ESD protection, but if higher levels of system level immunity are desired external TVS diodes can be used. TVS diodes and bus filtering capacitors should be placed as close to the on-board connectors as possible to prevent noisy transient events from propagating further into the PCB and system.

## 12.1 Layout Guidelines

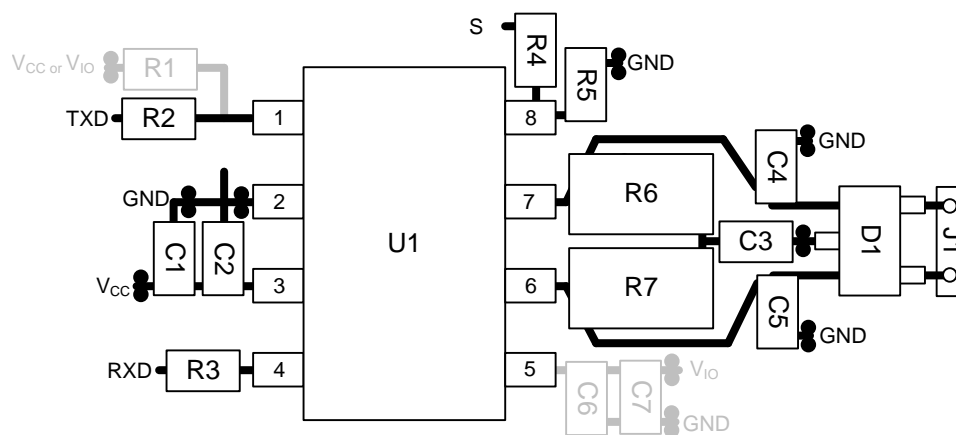
- Place the protection and filtering circuitry as close to the bus connector, J1, to prevent transients, ESD and noise from propagating onto the board. In this layout example a transient voltage suppression (TVS) device, D1, has been used for added protection. The production solution can be either bi-directional TVS diode or varistor with ratings matching the application requirements. This example also shows optional bus filter capacitors C4 and C5. Additionally (not shown) a series common mode choke (CMC) can be placed on the CANH and CANL lines between the transceiver U1 and connector J1.
- Design the bus protection components in the direction of the signal path. Do not force the transient current to divert from the signal path to reach the protection device.
- Use supply ( $V_{CC}$ ) and ground planes to provide low inductance.

### NOTE

High-frequency currents follows the path of least impedance and not the path of least resistance.

- Use at least two vias for supply ( $V_{CC}$ ) and ground connections of bypass capacitors and protection devices to minimize trace and via inductance.
- Bypass and bulk capacitors should be placed as close as possible to the supply terminals of transceiver, examples are C1, C2 on the  $V_{CC}$  supply and C6 and C7 on the  $V_{IO}$  supply.
- Bus termination: this layout example shows split termination. This is where the termination is split into two resistors, R6 and R7, with the center or split tap of the termination connected to ground via capacitor C3. Split termination provides common mode filtering for the bus. When bus termination is placed on the board instead of directly on the bus, additional care must be taken to ensure the terminating node is not removed from the bus thus also removing the termination. See the application section for information on power ratings needed for the termination resistor(s).
- To limit current of digital lines, serial resistors may be used. Examples are R2, R3, and R4. These are not required.
- Terminal 1: R1 is shown optionally for the TXD input of the device. If an open drain host processor is used, this is mandatory to ensure the bit timing into the device is met.
- Terminal 5: For "V" variants of the TCAN1051 family, bypass capacitors should be placed as close to the pin as possible (example C6 and C7). For device options without  $V_{IO}$  I/O level shifting, this pin is not internally connected and can be left floating or tied to any existing net, for example a split pin connection.
- Terminal 8: is shown assuming the mode terminal, S, will be used. If the device will only be used in normal mode, R4 is not needed and R5 could be used for the pull down resistor to GND.

## 12.2 Layout Example



## 13 Device and Documentation Support

### 13.1 Related Links

The table below lists quick access links. Categories include technical documents, support and community resources, tools and software, and quick access to order now.

Table 7. Related Links

| PARTS          | PRODUCT FOLDER             | ORDER NOW                  | TECHNICAL DOCUMENTS        | TOOLS & SOFTWARE           | SUPPORT & COMMUNITY        |
|----------------|----------------------------|----------------------------|----------------------------|----------------------------|----------------------------|
| TCAN1051-Q1    | <a href="#">Click here</a> | <a href="#">Click here</a> | <a href="#">Click here</a> | <a href="#">Click here</a> | <a href="#">Click here</a> |
| TCAN1051V-Q1   | <a href="#">Click here</a> | <a href="#">Click here</a> | <a href="#">Click here</a> | <a href="#">Click here</a> | <a href="#">Click here</a> |
| TCAN1051H-Q1   | <a href="#">Click here</a> | <a href="#">Click here</a> | <a href="#">Click here</a> | <a href="#">Click here</a> | <a href="#">Click here</a> |
| TCAN1051HV-Q1  | <a href="#">Click here</a> | <a href="#">Click here</a> | <a href="#">Click here</a> | <a href="#">Click here</a> | <a href="#">Click here</a> |
| TCAN1051G-Q1   | <a href="#">Click here</a> | <a href="#">Click here</a> | <a href="#">Click here</a> | <a href="#">Click here</a> | <a href="#">Click here</a> |
| TCAN1051GV-Q1  | <a href="#">Click here</a> | <a href="#">Click here</a> | <a href="#">Click here</a> | <a href="#">Click here</a> | <a href="#">Click here</a> |
| TCAN1051HG-Q1  | <a href="#">Click here</a> | <a href="#">Click here</a> | <a href="#">Click here</a> | <a href="#">Click here</a> | <a href="#">Click here</a> |
| TCAN1051HGV-Q1 | <a href="#">Click here</a> | <a href="#">Click here</a> | <a href="#">Click here</a> | <a href="#">Click here</a> | <a href="#">Click here</a> |

### 13.2 Receiving Notification of Documentation Updates

To receive notification of documentation updates, navigate to the device product folder on ti.com. In the upper right corner, click on *Alert me* to register and receive a weekly digest of any product information that has changed. For change details, review the revision history included in any revised document.

### 13.3 Community Resources

The following links connect to TI community resources. Linked contents are provided "AS IS" by the respective contributors. They do not constitute TI specifications and do not necessarily reflect TI's views; see TI's [Terms of Use](#).

**TI E2E™ Online Community** *TI's Engineer-to-Engineer (E2E) Community*. Created to foster collaboration among engineers. At e2e.ti.com, you can ask questions, share knowledge, explore ideas and help solve problems with fellow engineers.

**Design Support** *TI's Design Support* Quickly find helpful E2E forums along with design support tools and contact information for technical support.

### 13.4 Trademarks

E2E is a trademark of Texas Instruments.

### 13.5 Electrostatic Discharge Caution



These devices have limited built-in ESD protection. The leads should be shorted together or the device placed in conductive foam during storage or handling to prevent electrostatic damage to the MOS gates.

### 13.6 Glossary

**SLYZ022** — *TI Glossary*.

This glossary lists and explains terms, acronyms, and definitions.

## 14 Mechanical, Packaging, and Orderable Information

The following pages include mechanical packaging and orderable information. This information is the most current data available for the designated devices. This data is subject to change without notice and revision of this document. For browser-based versions of this data sheet, refer to the left-hand navigation.

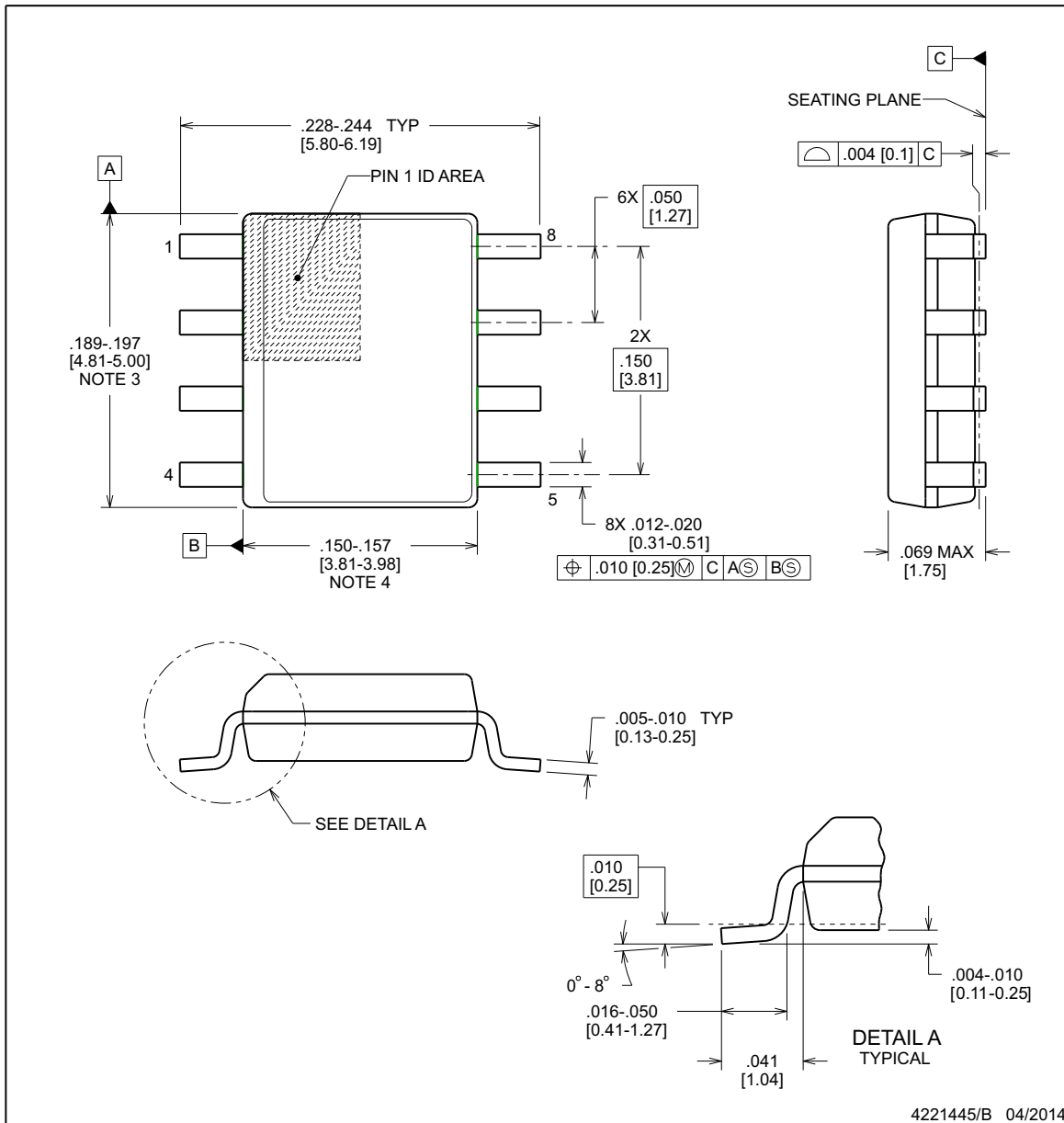


**D0008B**

**PACKAGE OUTLINE**

**SOIC - 1.75 mm max height**

SOIC



4221445/B 04/2014

**NOTES:**

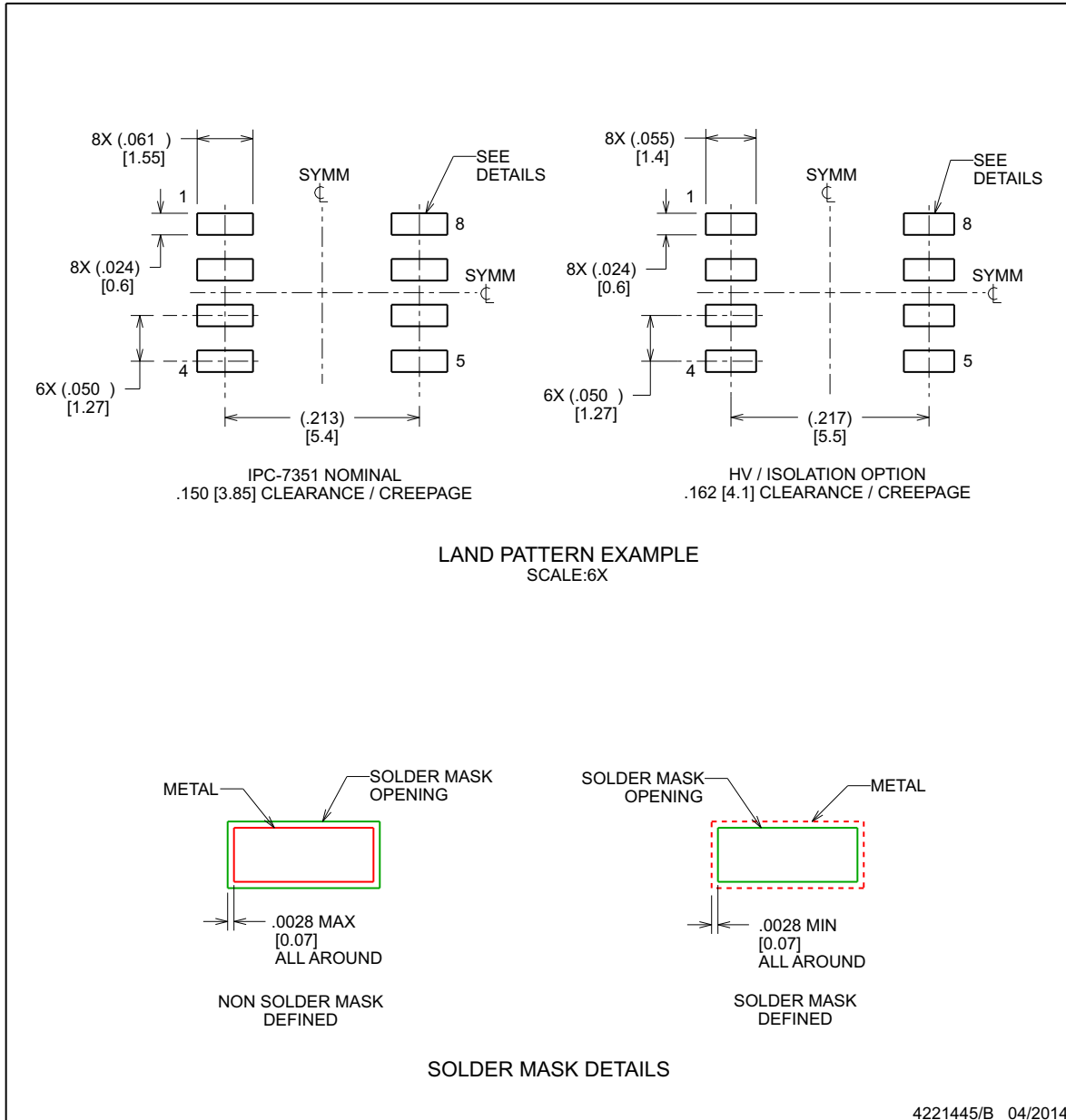
1. Linear dimensions are in inches [millimeters]. Dimensions in parenthesis are for reference only. Controlling dimensions are in inches. Dimensioning and tolerancing per ASME Y14.5M.
2. This drawing is subject to change without notice.
3. This dimension does not include mold flash, protrusions, or gate burrs. Mold flash, protrusions, or gate burrs shall not exceed .006 [0.15], per side.
4. This dimension does not include interlead flash.
5. Reference JEDEC registration MS-012, variation AA.

## EXAMPLE BOARD LAYOUT

**D0008B**

**SOIC - 1.75 mm max height**

SOIC



NOTES: (continued)

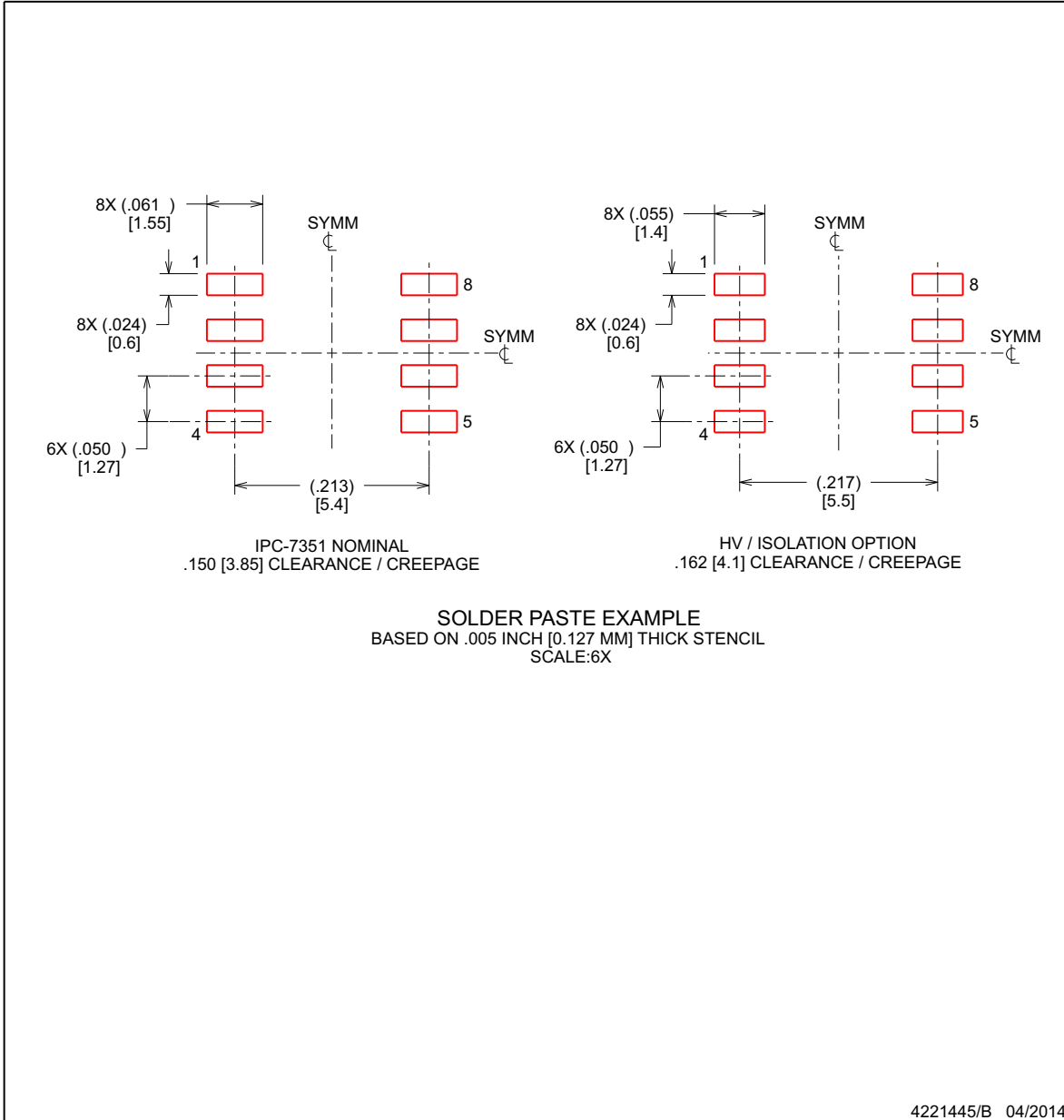
6. Publication IPC-7351 may have alternate designs.
7. Solder mask tolerances between and around signal pads can vary based on board fabrication site.

## EXAMPLE STENCIL DESIGN

**D0008B**

**SOIC - 1.75 mm max height**

SOIC



NOTES: (continued)

8. Laser cutting apertures with trapezoidal walls and rounded corners may offer better paste release. IPC-7525 may have alternate design recommendations.
9. Board assembly site may have different recommendations for stencil design.

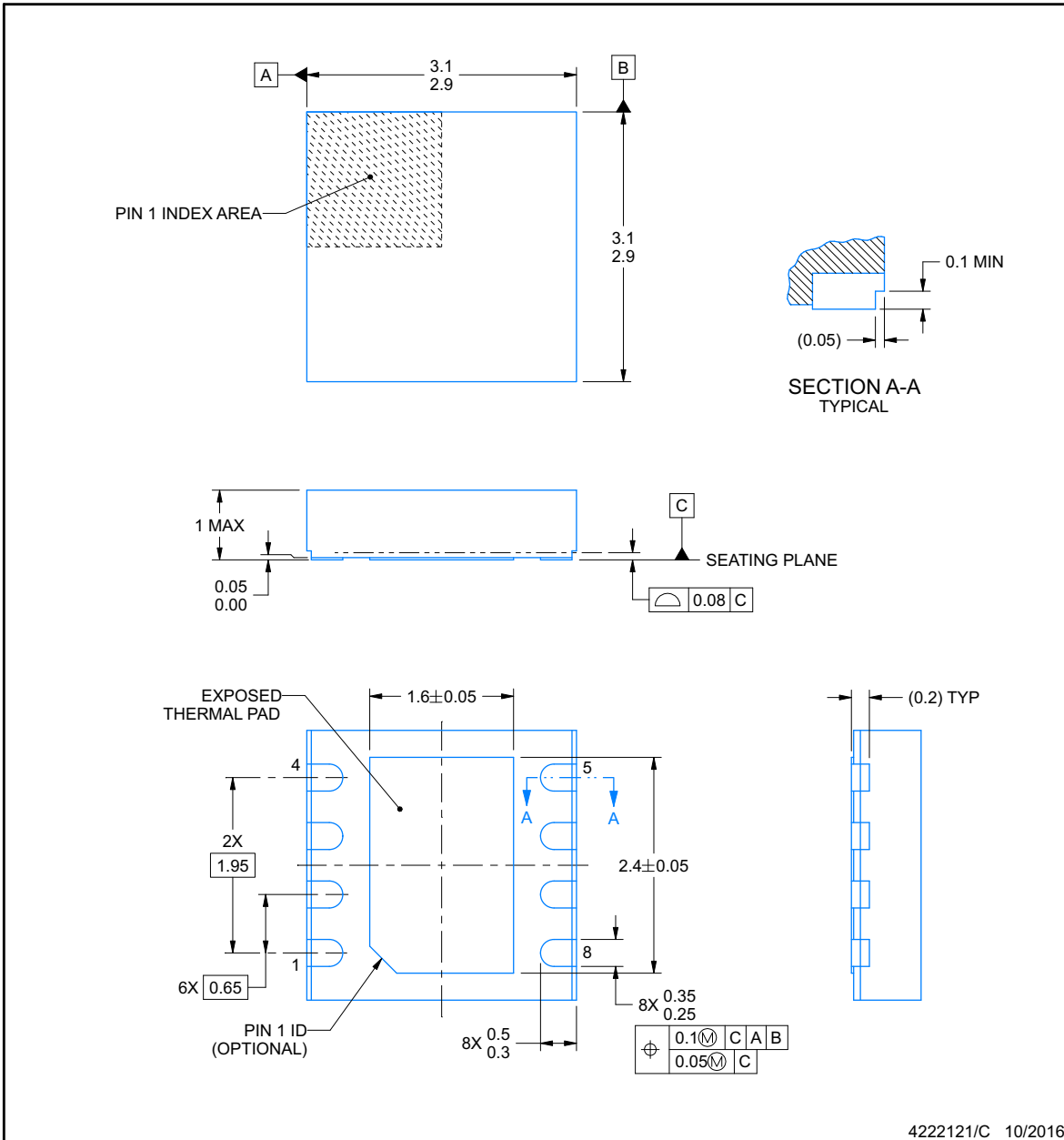


**DRB0008F**

**PACKAGE OUTLINE**

**VSON - 1 mm max height**

PLASTIC SMALL OUTLINE - NO LEAD



NOTES:

1. All linear dimensions are in millimeters. Any dimensions in parenthesis are for reference only. Dimensioning and tolerancing per ASME Y14.5M.
2. This drawing is subject to change without notice.
3. The package thermal pad must be soldered to the printed circuit board for thermal and mechanical performance.

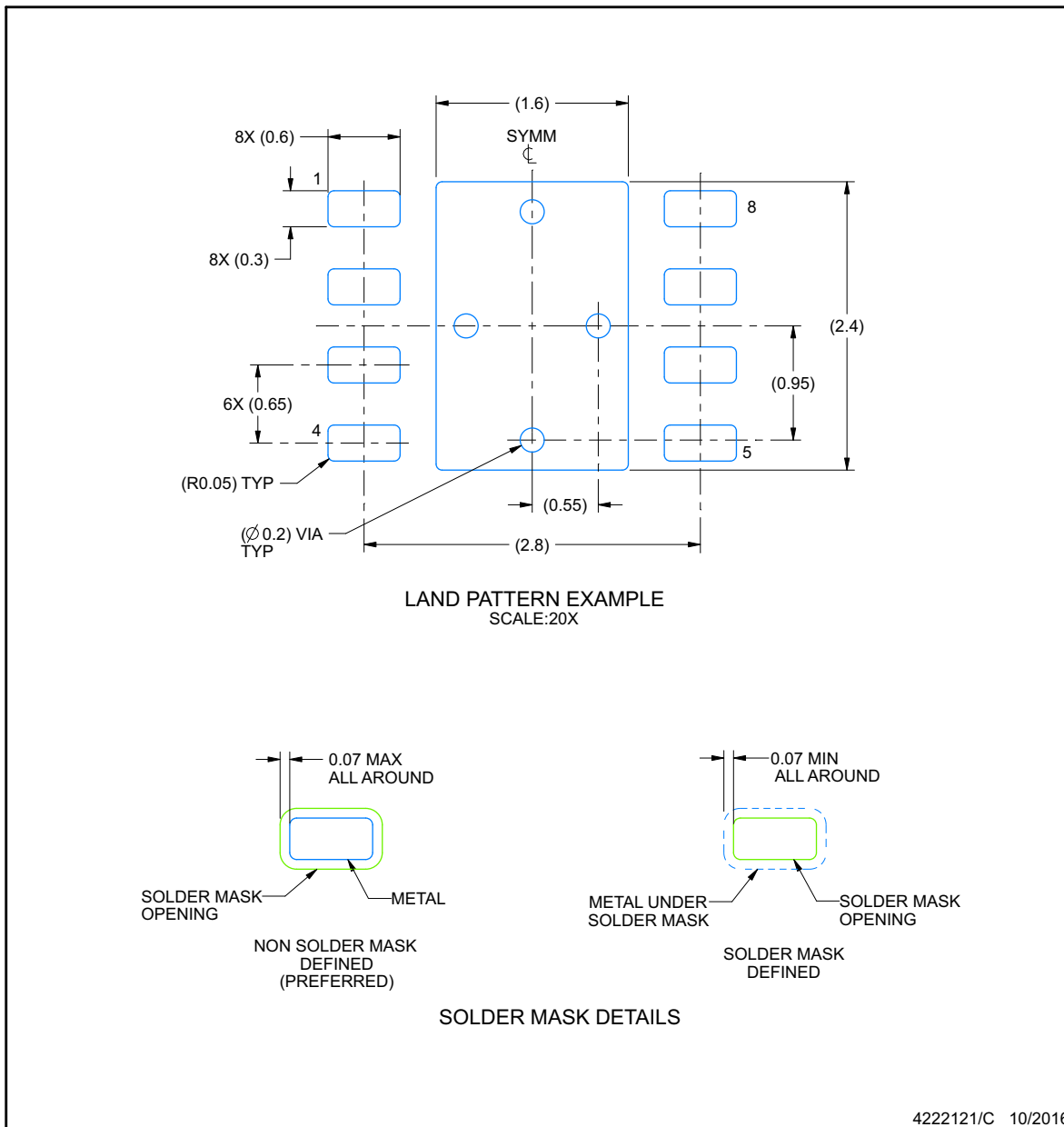


## EXAMPLE BOARD LAYOUT

DRB0008F

VSON - 1 mm max height

PLASTIC SMALL OUTLINE - NO LEAD



NOTES: (continued)

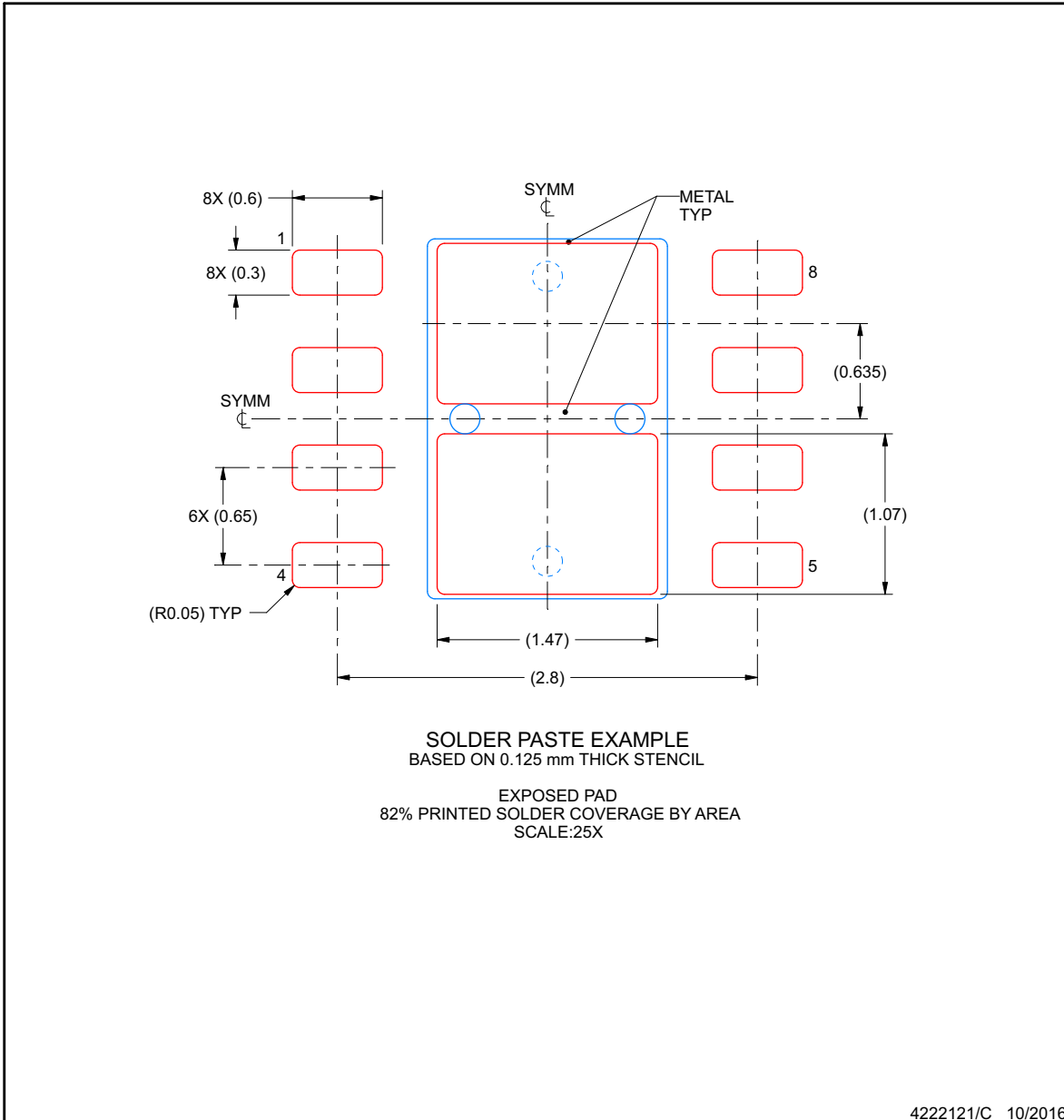
4. This package is designed to be soldered to a thermal pad on the board. For more information, see Texas Instruments literature number SLUA271 ([www.ti.com/lit/sluea271](http://www.ti.com/lit/sluea271)).
5. Vias are optional depending on application, refer to device data sheet. If any vias are implemented, refer to their locations shown on this view. It is recommended that vias under paste be filled, plugged or tented.

## EXAMPLE STENCIL DESIGN

**DRB0008F**

**VSON - 1 mm max height**

PLASTIC SMALL OUTLINE - NO LEAD



NOTES: (continued)

6. Laser cutting apertures with trapezoidal walls and rounded corners may offer better paste release. IPC-7525 may have alternate design recommendations.

**PACKAGING INFORMATION**

| Orderable Device | Status<br>(1) | Package Type | Package Drawing | Pins | Package Qty | Eco Plan<br>(2)         | Lead/Ball Finish<br>(6) | MSL Peak Temp<br>(3) | Op Temp (°C) | Device Marking<br>(4/5) | Samples                 |
|------------------|---------------|--------------|-----------------|------|-------------|-------------------------|-------------------------|----------------------|--------------|-------------------------|-------------------------|
| TCAN1051DQ1      | ACTIVE        | SOIC         | D               | 8    | 75          | Green (RoHS & no Sb/Br) | CU NIPDAU               | Level-1-260C-UNLIM   | -55 to 125   | 1051                    | <a href="#">Samples</a> |
| TCAN1051DRBRQ1   | ACTIVE        | SON          | DRB             | 8    | 3000        | Green (RoHS & no Sb/Br) | CU SN                   | Level-1-260C-UNLIM   | -55 to 125   | 1051                    | <a href="#">Samples</a> |
| TCAN1051DRBTQ1   | ACTIVE        | SON          | DRB             | 8    | 250         | Green (RoHS & no Sb/Br) | CU SN                   | Level-1-260C-UNLIM   | -55 to 125   | 1051                    | <a href="#">Samples</a> |
| TCAN1051DRQ1     | ACTIVE        | SOIC         | D               | 8    | 2500        | Green (RoHS & no Sb/Br) | CU NIPDAU               | Level-1-260C-UNLIM   | -55 to 125   | 1051                    | <a href="#">Samples</a> |
| TCAN1051GDQ1     | ACTIVE        | SOIC         | D               | 8    | 75          | Green (RoHS & no Sb/Br) | CU NIPDAU               | Level-1-260C-UNLIM   | -55 to 125   | 1051                    | <a href="#">Samples</a> |
| TCAN1051GDRBRQ1  | ACTIVE        | SON          | DRB             | 8    | 3000        | Green (RoHS & no Sb/Br) | CU SN                   | Level-1-260C-UNLIM   | -55 to 125   | 1051                    | <a href="#">Samples</a> |
| TCAN1051GDRBTQ1  | ACTIVE        | SON          | DRB             | 8    | 250         | Green (RoHS & no Sb/Br) | CU SN                   | Level-1-260C-UNLIM   | -55 to 125   | 1051                    | <a href="#">Samples</a> |
| TCAN1051GDRQ1    | ACTIVE        | SOIC         | D               | 8    | 2500        | Green (RoHS & no Sb/Br) | CU NIPDAU               | Level-1-260C-UNLIM   | -55 to 125   | 1051                    | <a href="#">Samples</a> |
| TCAN1051GVDQ1    | ACTIVE        | SOIC         | D               | 8    | 75          | Green (RoHS & no Sb/Br) | CU NIPDAU               | Level-1-260C-UNLIM   | -55 to 125   | 1051V                   | <a href="#">Samples</a> |
| TCAN1051GVDRBRQ1 | ACTIVE        | SON          | DRB             | 8    | 3000        | Green (RoHS & no Sb/Br) | CU SN                   | Level-1-260C-UNLIM   | -55 to 125   | 1051V                   | <a href="#">Samples</a> |
| TCAN1051GVDRBTQ1 | ACTIVE        | SON          | DRB             | 8    | 250         | Green (RoHS & no Sb/Br) | CU SN                   | Level-1-260C-UNLIM   | -55 to 125   | 1051V                   | <a href="#">Samples</a> |
| TCAN1051GVDRQ1   | ACTIVE        | SOIC         | D               | 8    | 2500        | Green (RoHS & no Sb/Br) | CU NIPDAU               | Level-1-260C-UNLIM   | -55 to 125   | 1051V                   | <a href="#">Samples</a> |
| TCAN1051HDQ1     | ACTIVE        | SOIC         | D               | 8    | 75          | Green (RoHS & no Sb/Br) | CU NIPDAU               | Level-1-260C-UNLIM   | -55 to 125   | 1051                    | <a href="#">Samples</a> |
| TCAN1051HDRBRQ1  | ACTIVE        | SON          | DRB             | 8    | 3000        | Green (RoHS & no Sb/Br) | CU SN                   | Level-1-260C-UNLIM   | -55 to 125   | 1051                    | <a href="#">Samples</a> |
| TCAN1051HDRBTQ1  | ACTIVE        | SON          | DRB             | 8    | 250         | Green (RoHS & no Sb/Br) | CU SN                   | Level-1-260C-UNLIM   | -55 to 125   | 1051                    | <a href="#">Samples</a> |
| TCAN1051HDRQ1    | ACTIVE        | SOIC         | D               | 8    | 2500        | Green (RoHS & no Sb/Br) | CU NIPDAU               | Level-1-260C-UNLIM   | -55 to 125   | 1051                    | <a href="#">Samples</a> |
| TCAN1051HGDQ1    | ACTIVE        | SOIC         | D               | 8    | 75          | Green (RoHS & no Sb/Br) | CU NIPDAU               | Level-1-260C-UNLIM   | -55 to 125   | 1051                    | <a href="#">Samples</a> |

| Orderable Device  | Status<br>(1) | Package Type | Package Drawing | Pins | Package Qty | Eco Plan<br>(2)         | Lead/Ball Finish<br>(6) | MSL Peak Temp<br>(3) | Op Temp (°C) | Device Marking<br>(4/5) | Samples                 |
|-------------------|---------------|--------------|-----------------|------|-------------|-------------------------|-------------------------|----------------------|--------------|-------------------------|-------------------------|
| TCAN1051HGDRBRQ1  | ACTIVE        | SON          | DRB             | 8    | 3000        | Green (RoHS & no Sb/Br) | CU SN                   | Level-1-260C-UNLIM   | -55 to 125   | 1051                    | <a href="#">Samples</a> |
| TCAN1051HGDRBTQ1  | ACTIVE        | SON          | DRB             | 8    | 250         | Green (RoHS & no Sb/Br) | CU SN                   | Level-1-260C-UNLIM   | -55 to 125   | 1051                    | <a href="#">Samples</a> |
| TCAN1051HGDRQ1    | ACTIVE        | SOIC         | D               | 8    | 2500        | Green (RoHS & no Sb/Br) | CU NIPDAU               | Level-1-260C-UNLIM   | -55 to 125   | 1051                    | <a href="#">Samples</a> |
| TCAN1051HGVDQ1    | ACTIVE        | SOIC         | D               | 8    | 75          | Green (RoHS & no Sb/Br) | CU NIPDAU               | Level-1-260C-UNLIM   | -55 to 125   | 1051V                   | <a href="#">Samples</a> |
| TCAN1051HGVDRBRQ1 | ACTIVE        | SON          | DRB             | 8    | 3000        | Green (RoHS & no Sb/Br) | CU SN                   | Level-1-260C-UNLIM   | -55 to 125   | 1051V                   | <a href="#">Samples</a> |
| TCAN1051HGVDRBTQ1 | ACTIVE        | SON          | DRB             | 8    | 250         | Green (RoHS & no Sb/Br) | CU SN                   | Level-1-260C-UNLIM   | -55 to 125   | 1051V                   | <a href="#">Samples</a> |
| TCAN1051HGVDRQ1   | ACTIVE        | SOIC         | D               | 8    | 2500        | Green (RoHS & no Sb/Br) | CU NIPDAU               | Level-1-260C-UNLIM   | -55 to 125   | 1051V                   | <a href="#">Samples</a> |
| TCAN1051HVDQ1     | ACTIVE        | SOIC         | D               | 8    | 75          | Green (RoHS & no Sb/Br) | CU NIPDAU               | Level-1-260C-UNLIM   | -55 to 125   | 1051V                   | <a href="#">Samples</a> |
| TCAN1051HVDRBRQ1  | ACTIVE        | SON          | DRB             | 8    | 3000        | Green (RoHS & no Sb/Br) | CU SN                   | Level-1-260C-UNLIM   | -55 to 125   | 1051V                   | <a href="#">Samples</a> |
| TCAN1051HVDRBTQ1  | ACTIVE        | SON          | DRB             | 8    | 250         | Green (RoHS & no Sb/Br) | CU SN                   | Level-1-260C-UNLIM   | -55 to 125   | 1051V                   | <a href="#">Samples</a> |
| TCAN1051HVDRQ1    | ACTIVE        | SOIC         | D               | 8    | 2500        | Green (RoHS & no Sb/Br) | CU NIPDAU               | Level-1-260C-UNLIM   | -55 to 125   | 1051V                   | <a href="#">Samples</a> |
| TCAN1051VDQ1      | ACTIVE        | SOIC         | D               | 8    | 75          | Green (RoHS & no Sb/Br) | CU NIPDAU               | Level-1-260C-UNLIM   | -55 to 125   | 1051V                   | <a href="#">Samples</a> |
| TCAN1051VDRBRQ1   | ACTIVE        | SON          | DRB             | 8    | 3000        | Green (RoHS & no Sb/Br) | CU SN                   | Level-1-260C-UNLIM   | -55 to 125   | 1051V                   | <a href="#">Samples</a> |
| TCAN1051VDRBTQ1   | ACTIVE        | SON          | DRB             | 8    | 250         | Green (RoHS & no Sb/Br) | CU SN                   | Level-1-260C-UNLIM   | -55 to 125   | 1051V                   | <a href="#">Samples</a> |
| TCAN1051VDRQ1     | ACTIVE        | SOIC         | D               | 8    | 2500        | Green (RoHS & no Sb/Br) | CU NIPDAU               | Level-1-260C-UNLIM   | -55 to 125   | 1051V                   | <a href="#">Samples</a> |

(1) The marketing status values are defined as follows:

**ACTIVE:** Product device recommended for new designs.

**LIFEBUY:** TI has announced that the device will be discontinued, and a lifetime-buy period is in effect.

**NRND:** Not recommended for new designs. Device is in production to support existing customers, but TI does not recommend using this part in a new design.

**PREVIEW:** Device has been announced but is not in production. Samples may or may not be available.

**OBSOLETE:** TI has discontinued the production of the device.

(2) **RoHS:** TI defines "RoHS" to mean semiconductor products that are compliant with the current EU RoHS requirements for all 10 RoHS substances, including the requirement that RoHS substance do not exceed 0.1% by weight in homogeneous materials. Where designed to be soldered at high temperatures, "RoHS" products are suitable for use in specified lead-free processes. TI may reference these types of products as "Pb-Free".

**RoHS Exempt:** TI defines "RoHS Exempt" to mean products that contain lead but are compliant with EU RoHS pursuant to a specific EU RoHS exemption.

**Green:** TI defines "Green" to mean the content of Chlorine (Cl) and Bromine (Br) based flame retardants meet JS709B low halogen requirements of  $\leq 1000$ ppm threshold. Antimony trioxide based flame retardants must also meet the  $\leq 1000$ ppm threshold requirement.

(3) **MSL, Peak Temp.** - The Moisture Sensitivity Level rating according to the JEDEC industry standard classifications, and peak solder temperature.

(4) There may be additional marking, which relates to the logo, the lot trace code information, or the environmental category on the device.

(5) Multiple Device Markings will be inside parentheses. Only one Device Marking contained in parentheses and separated by a "-" will appear on a device. If a line is indented then it is a continuation of the previous line and the two combined represent the entire Device Marking for that device.

(6) **Lead/Ball Finish** - Orderable Devices may have multiple material finish options. Finish options are separated by a vertical ruled line. Lead/Ball Finish values may wrap to two lines if the finish value exceeds the maximum column width.

**Important Information and Disclaimer:** The information provided on this page represents TI's knowledge and belief as of the date that it is provided. TI bases its knowledge and belief on information provided by third parties, and makes no representation or warranty as to the accuracy of such information. Efforts are underway to better integrate information from third parties. TI has taken and continues to take reasonable steps to provide representative and accurate information but may not have conducted destructive testing or chemical analysis on incoming materials and chemicals. TI and TI suppliers consider certain information to be proprietary, and thus CAS numbers and other limited information may not be available for release.

In no event shall TI's liability arising out of such information exceed the total purchase price of the TI part(s) at issue in this document sold by TI to Customer on an annual basis.

**OTHER QUALIFIED VERSIONS OF TCAN1051H-Q1, TCAN1051HG-Q1, TCAN1051HGV-Q1, TCAN1051HV-Q1 :**

- Catalog: [TCAN1051H](#), [TCAN1051HG](#), [TCAN1051HGV](#), [TCAN1051HV](#)

NOTE: Qualified Version Definitions:

- Catalog - TI's standard catalog product

## IMPORTANT NOTICE

Texas Instruments Incorporated (TI) reserves the right to make corrections, enhancements, improvements and other changes to its semiconductor products and services per JESD46, latest issue, and to discontinue any product or service per JESD48, latest issue. Buyers should obtain the latest relevant information before placing orders and should verify that such information is current and complete.

TI's published terms of sale for semiconductor products (<http://www.ti.com/sc/docs/stdterms.htm>) apply to the sale of packaged integrated circuit products that TI has qualified and released to market. Additional terms may apply to the use or sale of other types of TI products and services.

Reproduction of significant portions of TI information in TI data sheets is permissible only if reproduction is without alteration and is accompanied by all associated warranties, conditions, limitations, and notices. TI is not responsible or liable for such reproduced documentation. Information of third parties may be subject to additional restrictions. Resale of TI products or services with statements different from or beyond the parameters stated by TI for that product or service voids all express and any implied warranties for the associated TI product or service and is an unfair and deceptive business practice. TI is not responsible or liable for any such statements.

Buyers and others who are developing systems that incorporate TI products (collectively, "Designers") understand and agree that Designers remain responsible for using their independent analysis, evaluation and judgment in designing their applications and that Designers have full and exclusive responsibility to assure the safety of Designers' applications and compliance of their applications (and of all TI products used in or for Designers' applications) with all applicable regulations, laws and other applicable requirements. Designer represents that, with respect to their applications, Designer has all the necessary expertise to create and implement safeguards that (1) anticipate dangerous consequences of failures, (2) monitor failures and their consequences, and (3) lessen the likelihood of failures that might cause harm and take appropriate actions. Designer agrees that prior to using or distributing any applications that include TI products, Designer will thoroughly test such applications and the functionality of such TI products as used in such applications.

TI's provision of technical, application or other design advice, quality characterization, reliability data or other services or information, including, but not limited to, reference designs and materials relating to evaluation modules, (collectively, "TI Resources") are intended to assist designers who are developing applications that incorporate TI products; by downloading, accessing or using TI Resources in any way, Designer (individually or, if Designer is acting on behalf of a company, Designer's company) agrees to use any particular TI Resource solely for this purpose and subject to the terms of this Notice.

TI's provision of TI Resources does not expand or otherwise alter TI's applicable published warranties or warranty disclaimers for TI products, and no additional obligations or liabilities arise from TI providing such TI Resources. TI reserves the right to make corrections, enhancements, improvements and other changes to its TI Resources. TI has not conducted any testing other than that specifically described in the published documentation for a particular TI Resource.

Designer is authorized to use, copy and modify any individual TI Resource only in connection with the development of applications that include the TI product(s) identified in such TI Resource. NO OTHER LICENSE, EXPRESS OR IMPLIED, BY ESTOPPEL OR OTHERWISE TO ANY OTHER TI INTELLECTUAL PROPERTY RIGHT, AND NO LICENSE TO ANY TECHNOLOGY OR INTELLECTUAL PROPERTY RIGHT OF TI OR ANY THIRD PARTY IS GRANTED HEREIN, including but not limited to any patent right, copyright, mask work right, or other intellectual property right relating to any combination, machine, or process in which TI products or services are used. Information regarding or referencing third-party products or services does not constitute a license to use such products or services, or a warranty or endorsement thereof. Use of TI Resources may require a license from a third party under the patents or other intellectual property of the third party, or a license from TI under the patents or other intellectual property of TI.

TI RESOURCES ARE PROVIDED "AS IS" AND WITH ALL FAULTS. TI DISCLAIMS ALL OTHER WARRANTIES OR REPRESENTATIONS, EXPRESS OR IMPLIED, REGARDING RESOURCES OR USE THEREOF, INCLUDING BUT NOT LIMITED TO ACCURACY OR COMPLETENESS, TITLE, ANY EPIDEMIC FAILURE WARRANTY AND ANY IMPLIED WARRANTIES OF MERCHANTABILITY, FITNESS FOR A PARTICULAR PURPOSE, AND NON-INFRINGEMENT OF ANY THIRD PARTY INTELLECTUAL PROPERTY RIGHTS. TI SHALL NOT BE LIABLE FOR AND SHALL NOT DEFEND OR INDEMNIFY DESIGNER AGAINST ANY CLAIM, INCLUDING BUT NOT LIMITED TO ANY INFRINGEMENT CLAIM THAT RELATES TO OR IS BASED ON ANY COMBINATION OF PRODUCTS EVEN IF DESCRIBED IN TI RESOURCES OR OTHERWISE. IN NO EVENT SHALL TI BE LIABLE FOR ANY ACTUAL, DIRECT, SPECIAL, COLLATERAL, INDIRECT, PUNITIVE, INCIDENTAL, CONSEQUENTIAL OR EXEMPLARY DAMAGES IN CONNECTION WITH OR ARISING OUT OF TI RESOURCES OR USE THEREOF, AND REGARDLESS OF WHETHER TI HAS BEEN ADVISED OF THE POSSIBILITY OF SUCH DAMAGES.

Unless TI has explicitly designated an individual product as meeting the requirements of a particular industry standard (e.g., ISO/TS 16949 and ISO 26262), TI is not responsible for any failure to meet such industry standard requirements.

Where TI specifically promotes products as facilitating functional safety or as compliant with industry functional safety standards, such products are intended to help enable customers to design and create their own applications that meet applicable functional safety standards and requirements. Using products in an application does not by itself establish any safety features in the application. Designers must ensure compliance with safety-related requirements and standards applicable to their applications. Designer may not use any TI products in life-critical medical equipment unless authorized officers of the parties have executed a special contract specifically governing such use. Life-critical medical equipment is medical equipment where failure of such equipment would cause serious bodily injury or death (e.g., life support, pacemakers, defibrillators, heart pumps, neurostimulators, and implantables). Such equipment includes, without limitation, all medical devices identified by the U.S. Food and Drug Administration as Class III devices and equivalent classifications outside the U.S.

TI may expressly designate certain products as completing a particular qualification (e.g., Q100, Military Grade, or Enhanced Product). Designers agree that it has the necessary expertise to select the product with the appropriate qualification designation for their applications and that proper product selection is at Designers' own risk. Designers are solely responsible for compliance with all legal and regulatory requirements in connection with such selection.

Designer will fully indemnify TI and its representatives against any damages, costs, losses, and/or liabilities arising out of Designer's non-compliance with the terms and provisions of this Notice.