

4

3

2

1

THIS DRAWING IS UNPUBLISHED.

RELEASED FOR PUBLICATION

20

© COPYRIGHT 20 BY -

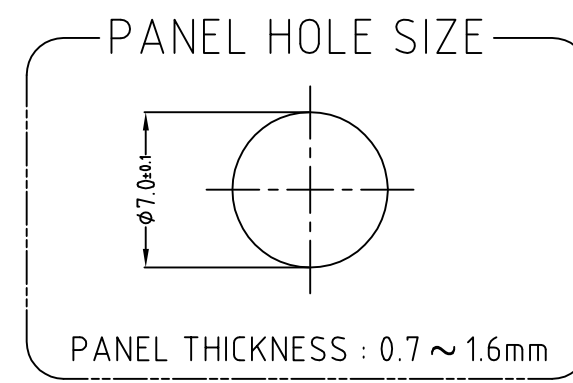
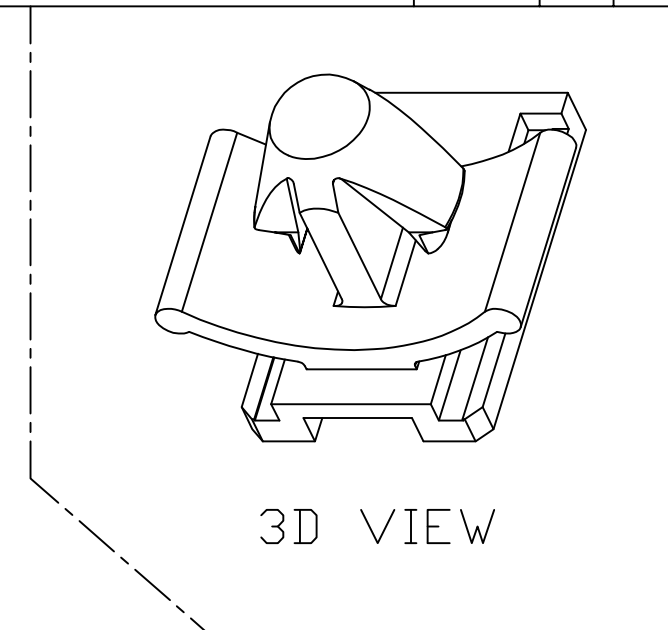
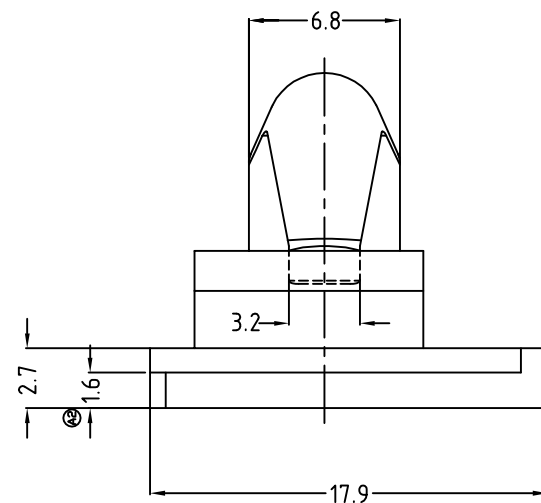
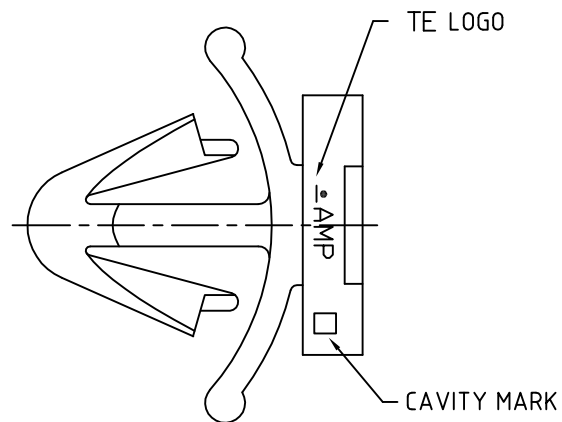
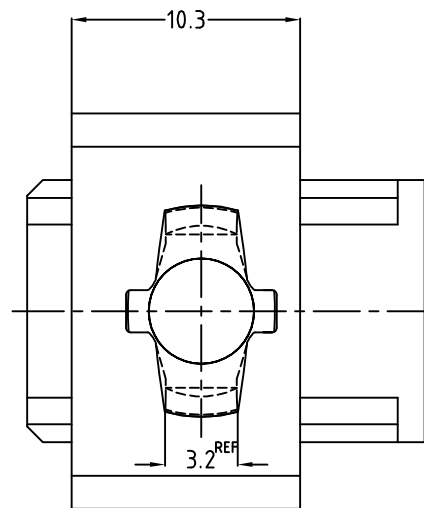
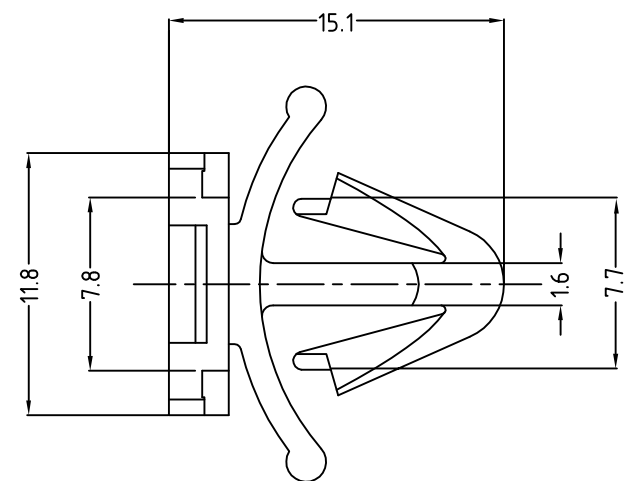
ALL RIGHTS RESERVED.

LOC DS

DIST -

REVISIONS

P	LTR	DESCRIPTION	DATE	DWN	APVD
	A3	REVISED (ECR-13-005245)	07.MAR.'13	JM	HG



BLACK	PA66	368260-2
NATURAL	PA66	368260-1
COLOR	MATERIAL	P/N

THIS DRAWING IS A CONTROLLED DOCUMENT.

DIMENSIONS: MM	TOLERANCES UNLESS OTHERWISE SPECIFIED: 0 <XX<10 ± 0.2 10<XX<30 ± 0.25 30<XX ± 0.3 ANGLES ± 3°	DWN JM JEON CHK JW JUNG APVD HG CHD PRODUCT SPEC - APPLICATION SPEC - WEIGHT -	<p>TE Connectivity</p> <p>NAME CLIP HSG FOR .090II MLC(φ7 HOLE)</p>			
MATERIAL -	FINISH /	SIZE A3	<table border="1"> <tr> <td>CAGE CODE 00779</td> <td>DRAWING NO C=368260</td> <td>RESTRICTED TO -</td> </tr> </table>	CAGE CODE 00779	DRAWING NO C=368260	RESTRICTED TO -
CAGE CODE 00779	DRAWING NO C=368260	RESTRICTED TO -				
		SCALE 3/1	<table border="1"> <tr> <td>SHEET 1</td> <td>OF 1</td> <td>REV A3</td> </tr> </table>	SHEET 1	OF 1	REV A3
SHEET 1	OF 1	REV A3				