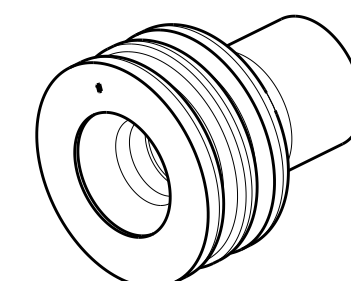
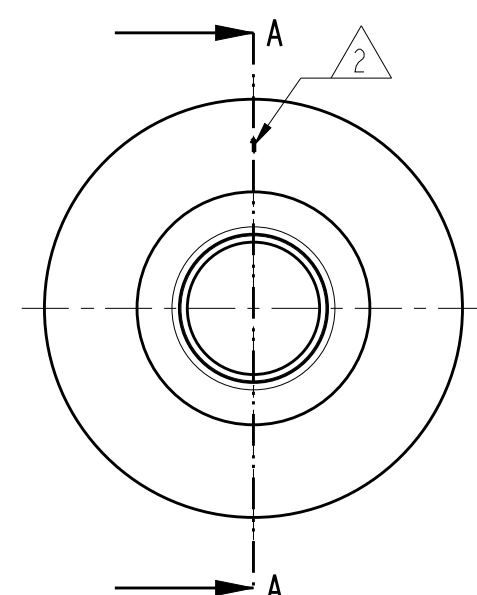
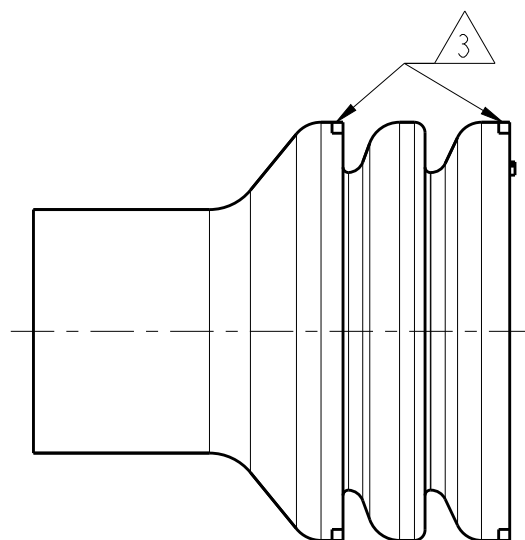
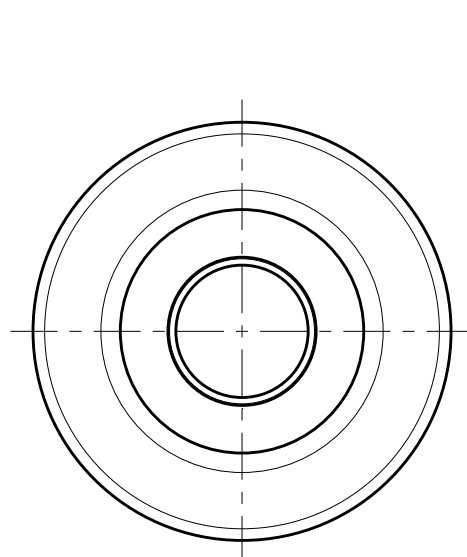
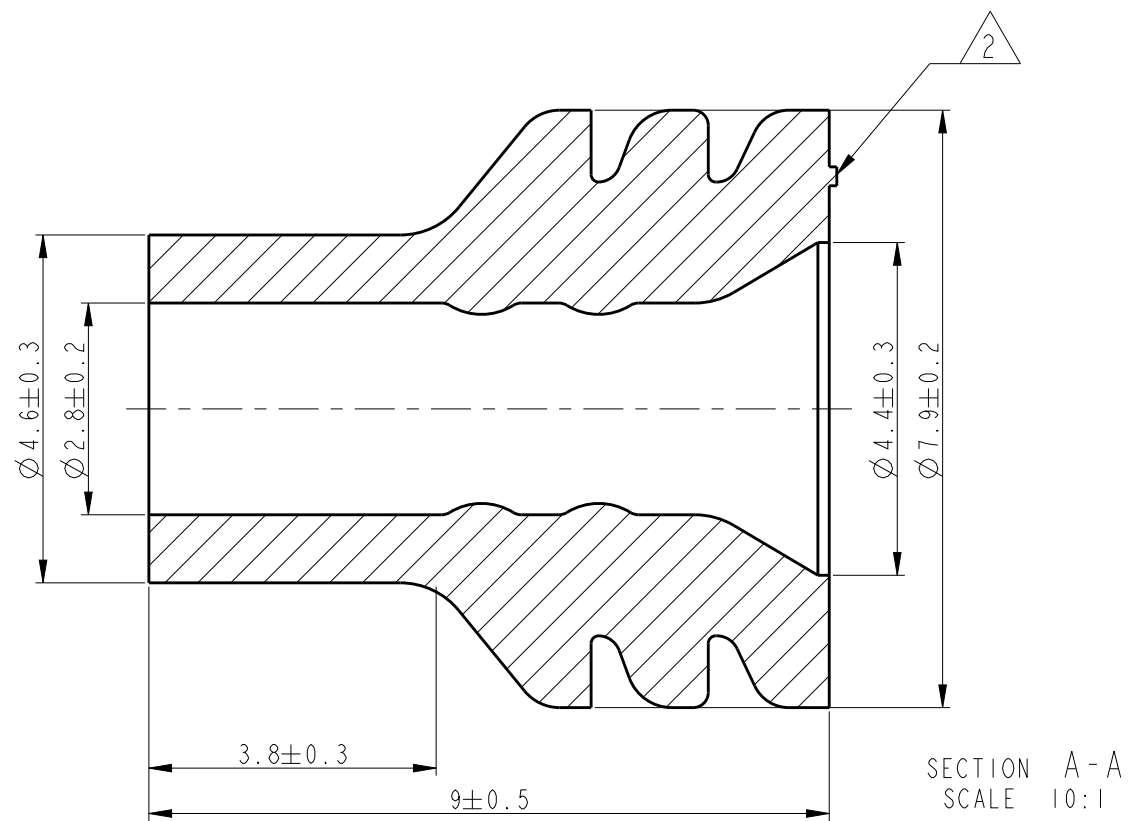


P	LTR	DESCRIPTION	DATE	DWN	APVD
	AI	REVISED (ECR-16-007323)	19.MAY.'16	JM	JW



ISO VIEW



SECTION A-A
SCALE 10:1

NOTES.
 (AI) MATERIAL: NBR(HARDNESS 40±5°, LUBRICATED CONTAIN 5% OIL)
 (2) CAVITY MARK: 0.25mm LETTERS (MAX. 0.1mm RAISED)
 (3) APPLICABLE OPTION FIGURE BY MANUFACTURING PROCESS BUT MUST BE NO PROBLEM IN FUNCTION.

GENERAL TOLERANCES	
0<XX<10	±0.2
10<XX<30	±0.25
30<XX	±0.3
ANGLE	±3°

BLACK		85011-1
COLOR	MATERIAL	P/N

THIS DRAWING IS A CONTROLLED DOCUMENT.		DWN JM JEON	TE Connectivity	
DIMENSIONS: mm		CHK -		
TOLERANCES UNLESS OTHERWISE SPECIFIED:		APVD JW JUNG	NAME WIRE SEAL FOR 187 SLD 2P CONN'R (INSULATION DIA: PHI 2.9~3.8mm)	
0 PLC ±		PRODUCT SPEC -	SIZE A3	
1 PLC ±		APPLICATION SPEC -	CAGE CODE -	DRAWING NO C-85011
2 PLC ±		WEIGHT -	RESTRICTED TO -	
3 PLC ±		CUSTOMER DRAWING	SCALE 7:1	SHEET 1 OF 1
4 PLC ±				REV AI
ANGLES ±				
FINISH -				
MATERIAL SEE NOTE				