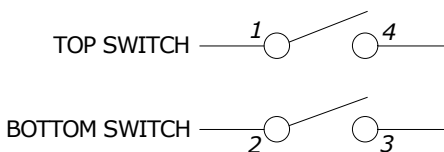
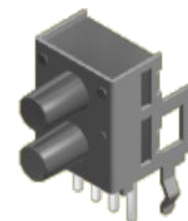
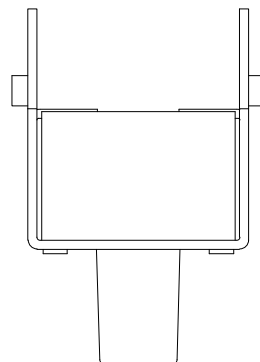


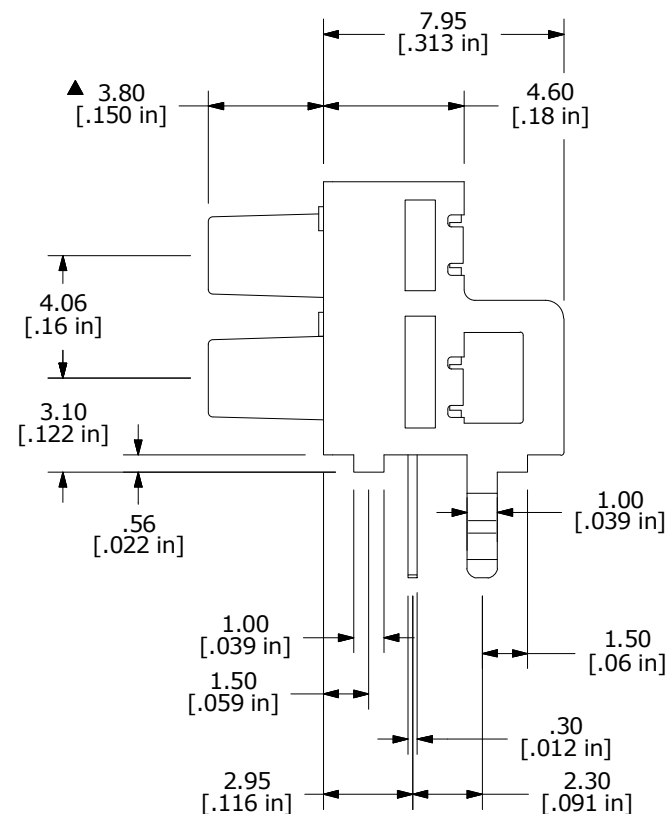
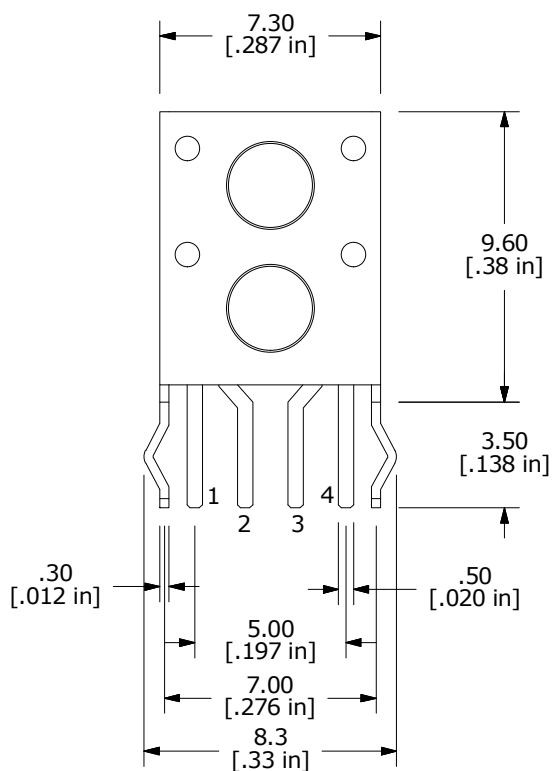
RECOMMENDED P.C.B. LAYOUT



▲ SCHEMATIC

NOTES:

1. ALL DIMENSIONS IN MM
2. GENERAL TOLERANCE: X.X = ± 0.4
X.XX = ± 0.25
3. TERM. NOS. FOR REFERENCE ONLY.
4. RATING: 50mA @12VDC
5. TRAVEL: 0.25 +0.2/-0.1mm
6. CONTACT RESISTANCE: 100MILLI-OHMS Max.
- ▲ 7. OPERATING FORCE: 180 \pm 50gf
- ▲ 8. CONTACT MATERIAL: SILVER
9. PACKAGING: 600 per TRAY
10. ▲ DENOTES CRITICAL PARAMETER.
11. 2011/65/EU (ROHS) COMPLIANT



N	22890	Redraw and add .30 support term. dim.	6/6/17	MW
M	18280	INCLUDE PACKAGING INFO	10/10/08	BLR
REV	PCR NO	DESCRIPTION	DATE	BY

TITLE TL2243				
SCALE	DATE	DR	DWG	REV
4:1	10/10/2008	BLR	P010405	N

THE INFORMATION CONTAINED IN THIS DOCUMENT IS PROPRIETARY TO E-SWITCH AND IS NOT TO BE COPIED OR TRANSFERRED