

注記 NOTES

1. 使用材料 MATERIAL

ハウジング : 液晶ポリマー (LCP) UL94V-0 (黒)
HOUSING: LIQUID CRYSTAL POLYMER UL94V-0 (COLOR: BLACK)

信号用ターミナル : 銅合金
TERMINAL FOR SIGNAL CIRCUIT : COPPER ALLOY

電源用ターミナル : 銅合金
TERMINAL FOR POWER CIRCUIT : COPPER ALLOY

2. メッキ仕様 PLATING

ターミナル (信号用、電源用) TERMINAL FOR SIGNAL AND POWER CIRCUIT

金メッキ
GOLD

下地メッキ : ニッケルメッキ
UNDER PLATING : NICKEL

※コンタクト部とテール部はニッケルメッキによって分断されている金メッキです。
DIVIDE INTO PARTS THE GOLD PLATING OF THE CONTACT AND THE TAIL PART BY THE NICKEL PLATING.

4. 嵌合相手 : 505004 シリーズ
MATE WITH : 505004 SERIES.

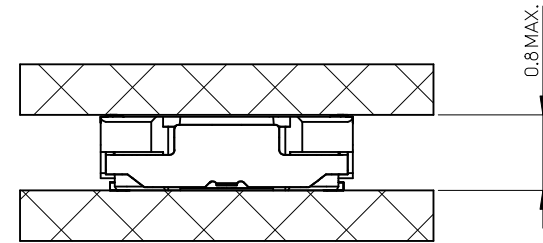
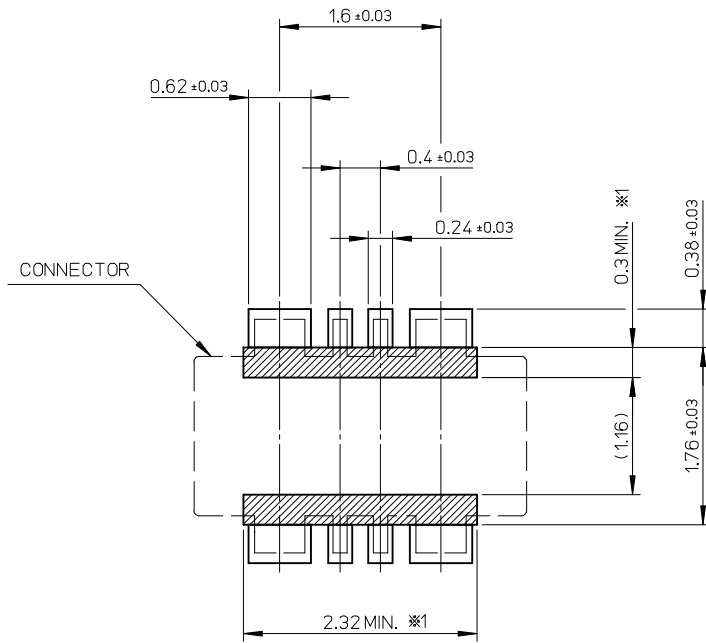
5. テール平坦度は、0.08 以下
TAIL COPLANARITY TO BE 0.08 MAXIMUM.

6. ELV & RoHS 適合品
ELV and RoHS COMPLIANT.

4	4	505006-0810	0	---	8
FOR POWER	FOR SIGNAL	EMBOSSSED TAPE PACKAGE	量産品 MASS PRODUCTION	試作対応可 LOW VOL. TOOL	極数 CIRCUIT
使用用途	USAGE	オーダー番号 ORDER NO.	サンプル供給 SAMPLE PREPARATION		

CONNECTOR SERIES No. : 505006-**-09

REVISED EC NO: J2014-1398 DRWN:SGOTO02 2014/03/13 CHKD:RTAKEUCHI 2014/03/13 APPR:KMORIKAWA 2014/03/13	DESCRIPTION REV	GENERAL TOLERANCES (UNLESS SPECIFIED)		DIMENSION STYLE MM ONLY	SCALE 20:1	DESIGN UNITS METRIC	THIRD ANGLE PROJECTION	
		10 UNDER	±0.2	DRAWN BY SGOTO02	DATE 2014/03/03	TITLE 0.4 BB CONN H=0.75 BATTERY PLUG ASSY		
		10 OVER 30 UNDER	±0.25	CHECKED BY RTAKEUCHI	DATE 2014/03/03			
		30 OVER	±0.3	APPROVED BY KMORIKAWA	DATE 2014/03/05			
ANGULAR ±1 °		DRAFT WHERE APPLICABLE MUST REMAIN WITHIN DIMENSIONS		MATERIAL NO. SEE CHART	DOCUMENT NO. SD-505006-001	SHEET NO. 1 OF 2		
THIS DRAWING CONTAINS INFORMATION THAT IS PROPRIETARY TO MOLEX INCORPORATED AND SHOULD NOT BE USED WITHOUT WRITTEN PERMISSION								

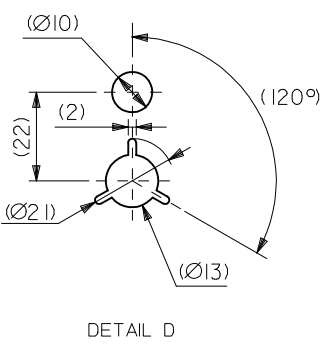
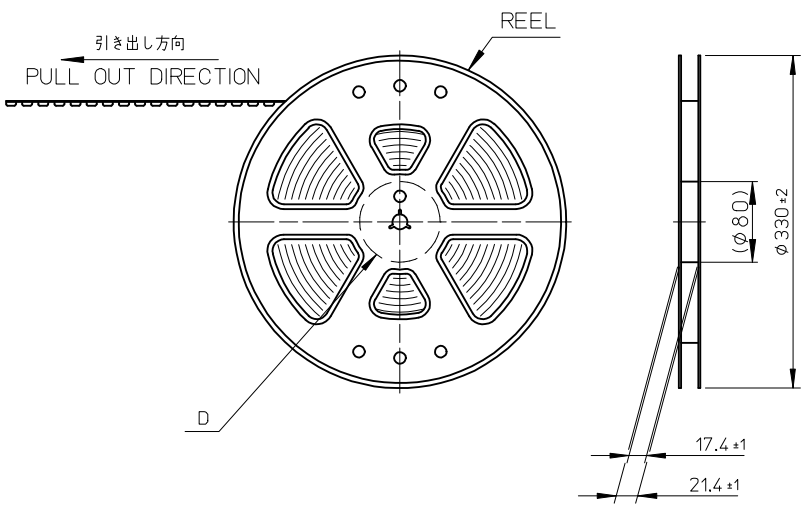


嵌合状態
MATED CONDITION

推奨基板寸法 (参考)
 推奨メタルマスク厚: $t=0.1\text{mm}$ / 推奨メタルマスク開口率: 80%
 RECOMMENDED P.W.BOARD PATTERN LAYOUT (REFERENCE)
 RECOMMENDED THICKNESS OF METAL MASK: $t=0.1\text{mm}$
 RECOMMENDED OPEN APERTURE RATIO OF METAL MASK: 80%

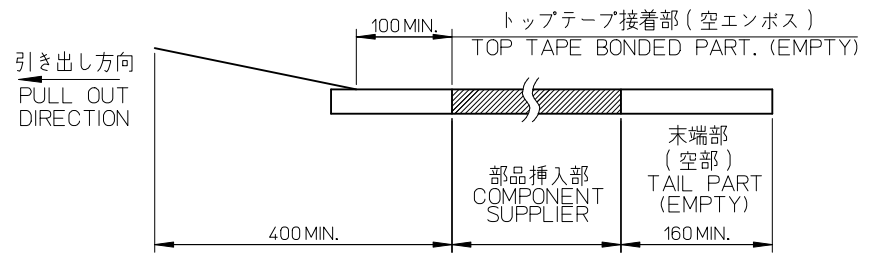
※1 パターン引き回し、および半田禁止エリア
 (当該箇所においては、回路の配線を禁止する。また、この部分に半田は無きこととする。)
 PROHIBITED AREA OF PATTERN WIRING AND SOLDER.
 (FOR EACH AREA THE WIRING CAN NOT BE AVAILABLE.
 AND COVERED WITH A FILM KEEP SOLDER OUT)

REVISED EC NO: J2014-1398 DRWN:SGOTO02 CHKD:RTAKEUCHI APPR:KMORIKAWA	DESCRIPTION 10 UNDER 10 OVER 30 UNDER 30 OVER ANGULAR ±1 ° DRAFT WHERE APPLICABLE MUST REMAIN WITHIN DIMENSIONS	GENERAL TOLERANCES (UNLESS SPECIFIED)		DIMENSION STYLE MM ONLY		SCALE 20:1	DESIGN UNITS METRIC	THIRD ANGLE PROJECTION		
		±0.2	±0.25	±0.3	±1 °	DRAWN BY SGOTO02	DATE 2014/03/03	TITLE 0.4 BB CONN H=0.75 BATTERY PLUG ASSY		
		±0.25	±0.3	±1 °	±1 °	CHECKED BY RTAKEUCHI	DATE 2014/03/03			
		±0.3	±1 °	±1 °	±1 °	APPROVED BY KMORIKAWA	DATE 2014/03/05			
REV B	REV	THIS DRAWING CONTAINS INFORMATION THAT IS PROPRIETARY TO MOLEX INCORPORATED AND SHOULD NOT BE USED WITHOUT WRITTEN PERMISSION								



注記 NOTES

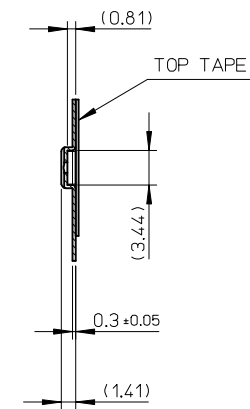
1. 製品詳細寸法については製品単体図面を参照下さい。
RE DETAILED DIMENSION, SEE PRODUCT DRAWING.
2. 梱包数量: 3000個/リール
NUMBER OF CONNECTORS: 3000PCS/REEL
3. リードテープ長さ LEAD TAPE LENGTH



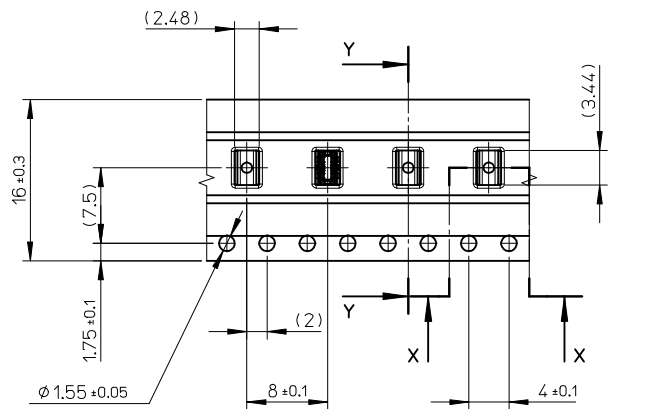
4. トップテープの剥離強度は、IEC60286-3に準拠する。
PEELING OFF FORCE OF THE TOP TAPE IS DEFINED BY IEC60286-3.
5. 材料 MATERIAL
キャリアテープ (CARRIER TAPE) ポリスチレン (POLYSTYRENE)
トップテープ (TOP TAPE) PET, OTHER
リール (REEL) ポリスチレン (PS) <リサイクル材を含む>
POLYSTYRENE (PS) <RECYCLE MATERIAL CONTAINED>
6. ELV 及び RoHS適合品
ELV AND RoHS COMPLIANT

RELEASED EC NO: J2014-1398 DRWN:SGOTO02 2014/03/13 CHKD:RTAKEUCHI 2014/03/13 APPR:KMORIKAWA 2014/03/13	GENERAL TOLERANCES (UNLESS SPECIFIED)		DIMENSION STYLE MM ONLY	SCALE ---	DESIGN UNITS METRIC	THIRD ANGLE PROJECTION
	10 UNDER	± 0.2	DRAWN BY SGOTO02	DATE 2014/03/13	TITLE 0.4 BB CONN H=0.75 BATTERY PLUG 0/M EMBSTP PKG	
	10 OVER 30 UNDER	± 0.25	CHECKED BY RTAKEUCHI	DATE 2014/03/13		
	30 OVER	± 0.3	APPROVED BY KMORIKAWA	DATE 2014/03/13		
ANGULAR	$\pm 1^\circ$	MATERIAL NO. SEE SHEET 2		DOCUMENT NO. SD-505006-002	SHEET NO. 1 OF 2	
DRAFT WHERE APPLICABLE MUST REMAIN WITHIN DIMENSIONS		THIS DRAWING CONTAINS INFORMATION THAT IS PROPRIETARY TO MOLEX INCORPORATED AND SHOULD NOT BE USED WITHOUT WRITTEN PERMISSION				

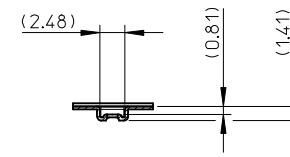
引出し方向
PULL OUT DIRECTION



SECTION Y-Y



累積ピッチ: 40±0.2
ACCUMULATED PITCH: 40±0.2



SECTION X-X

505006-0810	0	---	8
EMBOSSSED TAPE PACKAGE	量産品 MASS PRODUCTION	試作対応可 LOW VOL. TOOL	極数 CIRCUIT
オーダー番号 ORDER NO.	サンプル供給 SAMPLE PREPARATION		
MODEL No.	505006-***10		

RELEASED EC NO: J2014-1398 DRWN:SGOTO02 2014/03/13 CHKD:RTAKEUCHI 2014/03/13 APPR:KMORIKAWA 2014/03/13	GENERAL TOLERANCES (UNLESS SPECIFIED)		DIMENSION STYLE MM ONLY		SCALE 2:1	DESIGN UNITS METRIC	THIRD ANGLE PROJECTION
	10 UNDER	±0.2	DRAWN BY SGOTO02	DATE 2014/03/13	TITLE 0.4 BB CONN H=0.75 BATTERY PLUG 0/M EMBSTP PKG		
	10 OVER 30 UNDER	±0.25	CHECKED BY RTAKEUCHI	DATE 2014/03/13	molex DOCUMENT NO. SD-505006-002 SHEET NO. 2 OF 2		
	30 OVER	±0.3	APPROVED BY KMORIKAWA	DATE 2014/03/13			
ANGULAR ±1	DRAFT WHERE APPLICABLE MUST REMAIN WITHIN DIMENSIONS	SEE CHART		THIS DRAWING CONTAINS INFORMATION THAT IS PROPRIETARY TO MOLEX INCORPORATED AND SHOULD NOT BE USED WITHOUT WRITTEN PERMISSION			