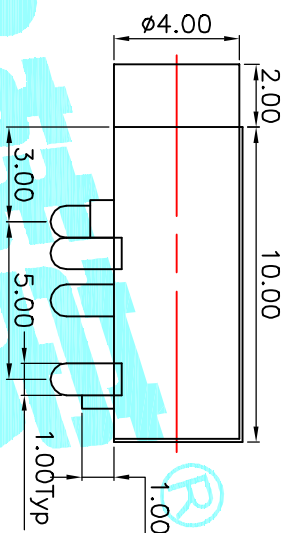
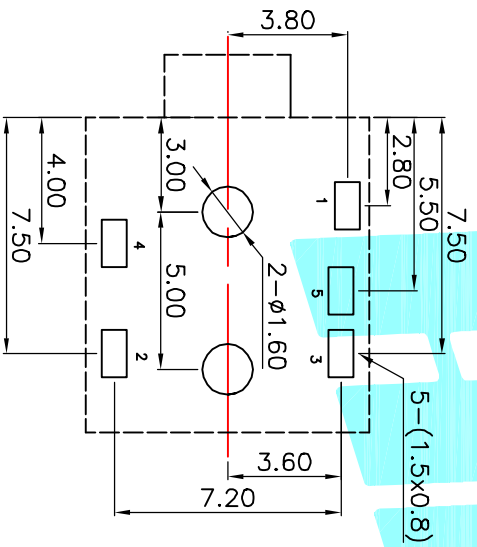


P.C.B Layout (copper-sided view)



Model NO	PJ-2050B-A	PJ-2050B-B
Schematic		
Model NO	PJ-2050B-C	PJ-2050B-D
Schematic		

Rating:0.5A 30V DC
 Contact Resistance:100 mΩ Max.
 Operating temperature:-20℃~70℃
 Operating force:3-20N
 Operating Life:5,000cycles

ECN NO.	REV.	DATE.	DESCRIPTION.	CHANGE.	CHECK.	APPRO.																																																																																					
	A		NEW																																																																																								
<table border="1"> <tr> <td>② Terminal</td> <td>5</td> <td>Phosphor bronze</td> <td>Au Plating</td> </tr> <tr> <td>① Housing</td> <td>1</td> <td>Nylon</td> <td>Black</td> </tr> <tr> <td>ITEM</td> <td>PART NAME</td> <td>TER'NO.</td> <td>QTY.</td> <td>MATERIAL</td> <td>FINISHING</td> <td>REMARK</td> </tr> <tr> <td colspan="2">APPROVALS</td> <td colspan="2">DATE</td> <td colspan="3">TITLE: PHONE JACKS</td> </tr> <tr> <td colspan="2">DRAWN J.X.Zhang</td> <td colspan="2">2013/11/11</td> <td colspan="3">ELECTRONICS CO.,LTD</td> </tr> <tr> <td colspan="2">CHECKED</td> <td colspan="2"></td> <td colspan="3">PART NO. PJ-2050B</td> </tr> <tr> <td colspan="2">APPROVALS</td> <td colspan="2"></td> <td colspan="3">SCALE: 1:1</td> </tr> <tr> <td colspan="2">TOLERANCES ARE</td> <td colspan="2">30~0.15</td> <td colspan="2">±0.30</td> <td>ANGLE</td> </tr> <tr> <td colspan="2">10~0.30</td> <td colspan="2">±0.20</td> <td colspan="2">±2'</td> <td>UNIT: mm</td> </tr> <tr> <td colspan="2">5~10</td> <td colspan="2">±0.15</td> <td colspan="2">±2'</td> <td>SCALE: 1:1</td> </tr> <tr> <td colspan="2">~5</td> <td colspan="2">±0.10</td> <td colspan="2">±2'</td> <td>PROJ-4</td> </tr> <tr> <td colspan="2"></td> <td colspan="2"></td> <td colspan="2"></td> <td>DRAWING NO.</td> </tr> <tr> <td colspan="2"></td> <td colspan="2"></td> <td colspan="2"></td> <td>SHEET 1 OF 1</td> </tr> </table>							② Terminal	5	Phosphor bronze	Au Plating	① Housing	1	Nylon	Black	ITEM	PART NAME	TER'NO.	QTY.	MATERIAL	FINISHING	REMARK	APPROVALS		DATE		TITLE: PHONE JACKS			DRAWN J.X.Zhang		2013/11/11		ELECTRONICS CO.,LTD			CHECKED				PART NO. PJ-2050B			APPROVALS				SCALE: 1:1			TOLERANCES ARE		30~0.15		±0.30		ANGLE	10~0.30		±0.20		±2'		UNIT: mm	5~10		±0.15		±2'		SCALE: 1:1	~5		±0.10		±2'		PROJ-4							DRAWING NO.							SHEET 1 OF 1
② Terminal	5	Phosphor bronze	Au Plating																																																																																								
① Housing	1	Nylon	Black																																																																																								
ITEM	PART NAME	TER'NO.	QTY.	MATERIAL	FINISHING	REMARK																																																																																					
APPROVALS		DATE		TITLE: PHONE JACKS																																																																																							
DRAWN J.X.Zhang		2013/11/11		ELECTRONICS CO.,LTD																																																																																							
CHECKED				PART NO. PJ-2050B																																																																																							
APPROVALS				SCALE: 1:1																																																																																							
TOLERANCES ARE		30~0.15		±0.30		ANGLE																																																																																					
10~0.30		±0.20		±2'		UNIT: mm																																																																																					
5~10		±0.15		±2'		SCALE: 1:1																																																																																					
~5		±0.10		±2'		PROJ-4																																																																																					
						DRAWING NO.																																																																																					
						SHEET 1 OF 1																																																																																					