



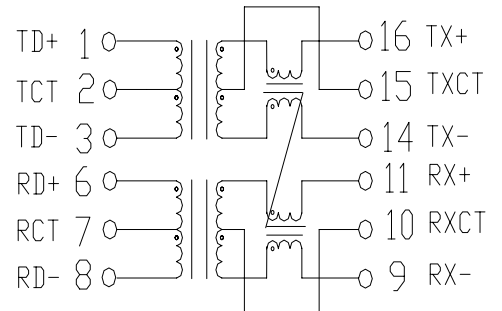
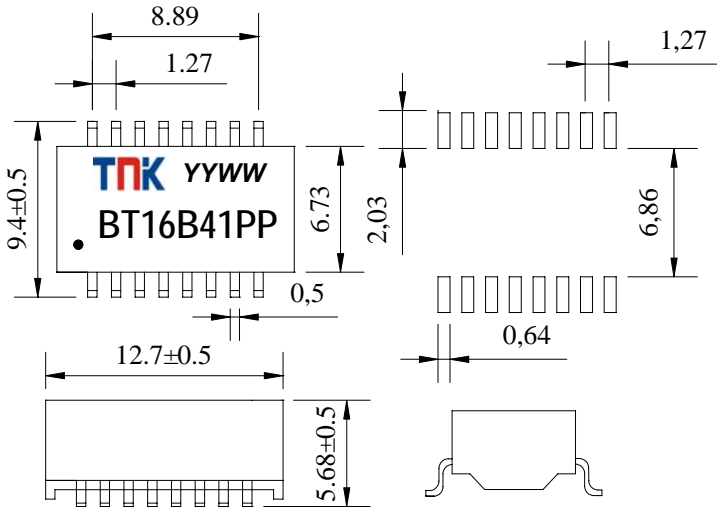
- Designed to meet IEEE802.3u requirement
- Designed to meet IR 255 °C peak requirement
- Primary inductance 350uH min with 8mA DC Bias
- RoHS Compliant
- Operating temperature range:-40°C to +85°C
- Storage temperature range:-25°C to +125°C
- The part is POE+ enable with 720mA DC current

Electrical Specifications @ 25°C

| Part Number | Turn Ratio | | Insertion Loss 0.5~100MHz (dB Max) | Return Loss (dB Min) | | | Cross Talk (dB Min) | | CMRR (dB Min) 0.50-100 MHz | LK (uHMax) | DCR (Ω Max) | CWW (pF Max) | Hi-Pot (Vrms) |
|-------------|------------|-----|--|-------------------------|----------------|----------------|------------------------|-----------------|-------------------------------------|---------------|----------------|-----------------|------------------|
| | Tx | Rx | | 0.5-30 MHz | 30.1-60 MHz | 60.1-80 MHz | 0.5-40 MHz | 40.1-100 MHz | | | | | |
| BT16B41PP | 1:1 | 1:1 | -1.0 | -16 | -14 | -12 | -35 | -30 | -30 | 0.5 | 1.2 | 28 | 1500 |

Mechanical

Schematics



Dimension:mm

Unless otherwise specified,tolerances: ±0.25(mm)

Data sheet subject to change without notice