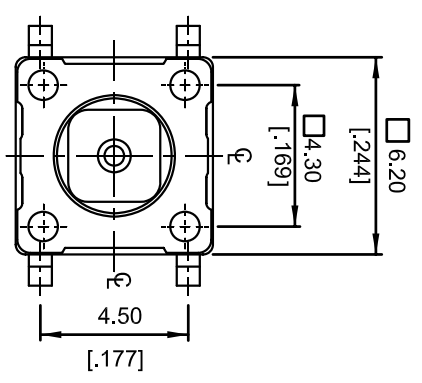
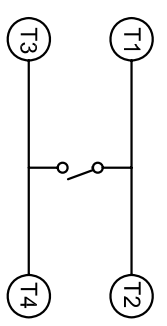
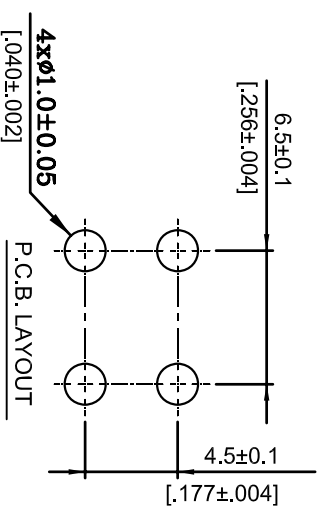
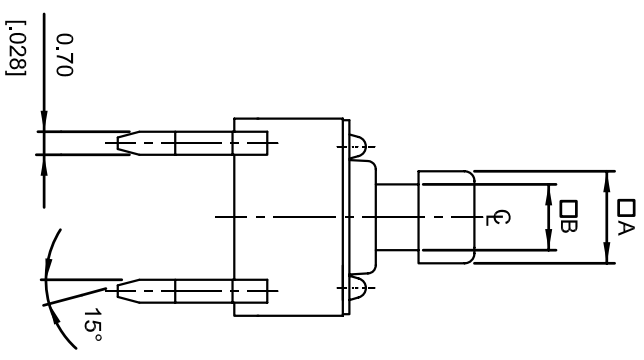
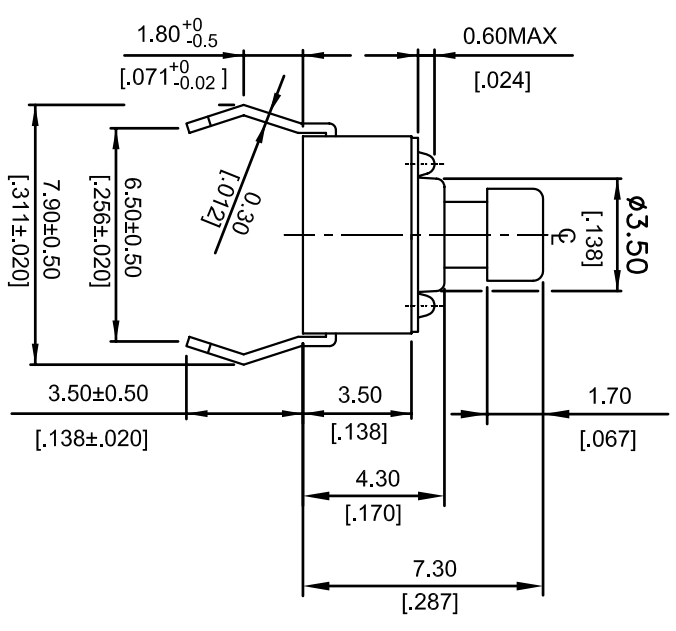


1 2 3 4 5 6 7 8 9 10



NOTE:
 1. ALL DIMENSIONS ARE IN MILLIMETERS, BRACKETED DIMENSIONS ARE IN INCHES.
 2. GENERAL TOLERANCES MAX:±0.20mm.



CIRCUIT DIAGRAM

DTS-644 □-(G)-V	□A	2.4	[.095]	
	□B	1.6	[.063]	
DTS-648 □-(G)-V	□A	2.8	[.110]	
	□B	2.0	[.079]	
PROD.	NO.	LOC.	MM.	INCH.

DIMENSION

△	DWG.REL.	03.1605	印刷機
ZONE REV.	DESCRIPTION	DATE	APPD.

APPD:	Q'TY:	SCALE: 6:1	UNITS: mm	FINISH:
CHKD:	REV: A	PART NO.:	MATL:	DWG NO.:
DR:	DESIGN:	國達實業股份有限公司 DIPTRONICS MANUFACTURING INC.		PART NAME: TACTILE SWITCH 6X6 73S (MECHANICAL CONTACT TYPE)
R D 5 P 6 4 - V				

H

G

F

E

D

C

B

A