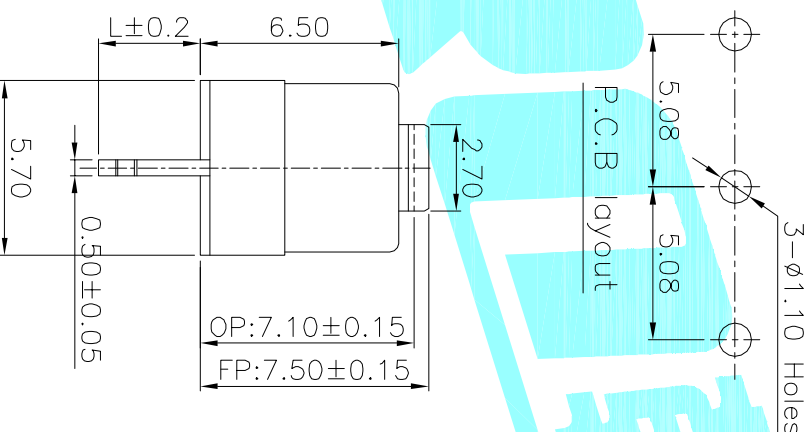
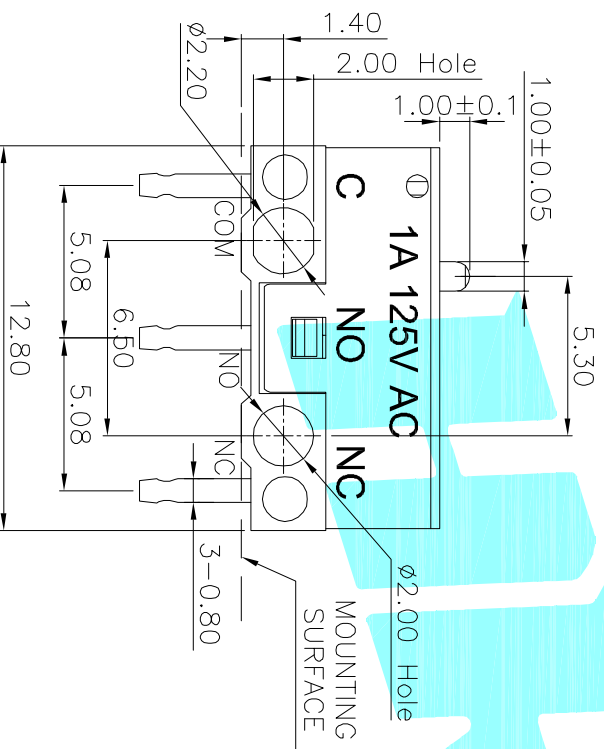
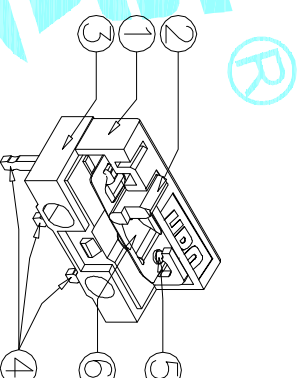
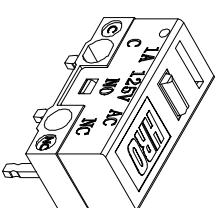


Circuit Diagram



L	PART NO.
3.00	K9-1267T
3.40	K9-1267T-01
4.50	K9-1267T-02
5.40	K9-1267T-03
7.45	K9-1267T-04
11.8	K9-1267T-05

NOTE:  
 1. Rating: DC30V 0.1A  
 2. OP: 7.10±0.15  
 3. Operating force: 80±15gf  
 4. Mechanical Life: 3,000,000

ITEM	PART NAME	TER.NO.	QTY.	MATERIAL	FINISHING	REMARK
①	Cover	---	1	PBT	Black	---
②	Knob	---	1	PBT	White	---
③	Housing	---	1	PBT	White	---
④	Terminal	---	3	Bross(0.52t)	Plating silver	---
⑤	Contact	---	1	Beryllium Copper	---	---
⑥	Shrapnel	---	1	---	---	---

APPROVALS	DATE	TITLE:
DRAWN J.X.Zhang	2013/11/6	MICRO SWITCHS
CHECKED		
APPROVALS		

CON NO.	REV.	DATE.	DESCRIPTION.	CHANGE.	CHECK.	APPRO.
	A		NEW			
TOLERANCES ARE						
		30~90 L	±0.30	ANGLE		PROL.
		10~30	±0.20			
		5~10	±0.15			
		~ 5	±0.10	±2'	DRAWING NO.	SHEET 1 OF 1